

**3 ROOF ACCESS LADDER**  
1/8" = 1'-0"

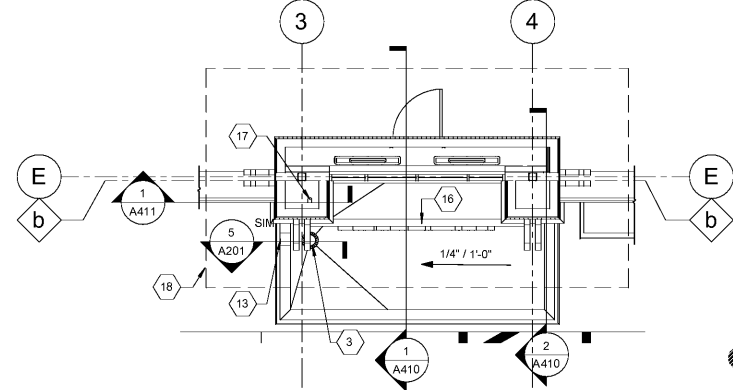
PAINT LADDER, CAGE, BRACKETS AND OTHER MISCELLANEOUS METALS WITH ONE SHOP RIM COAT AND TWO FINISH COATS. COLOR TO BE SELECTED BY RACETRAC.

SUBMIT STEEL LADDER SHOP DRAWINGS FOR ARCHITECT'S APPROVAL PRIOR TO FABRICATION.

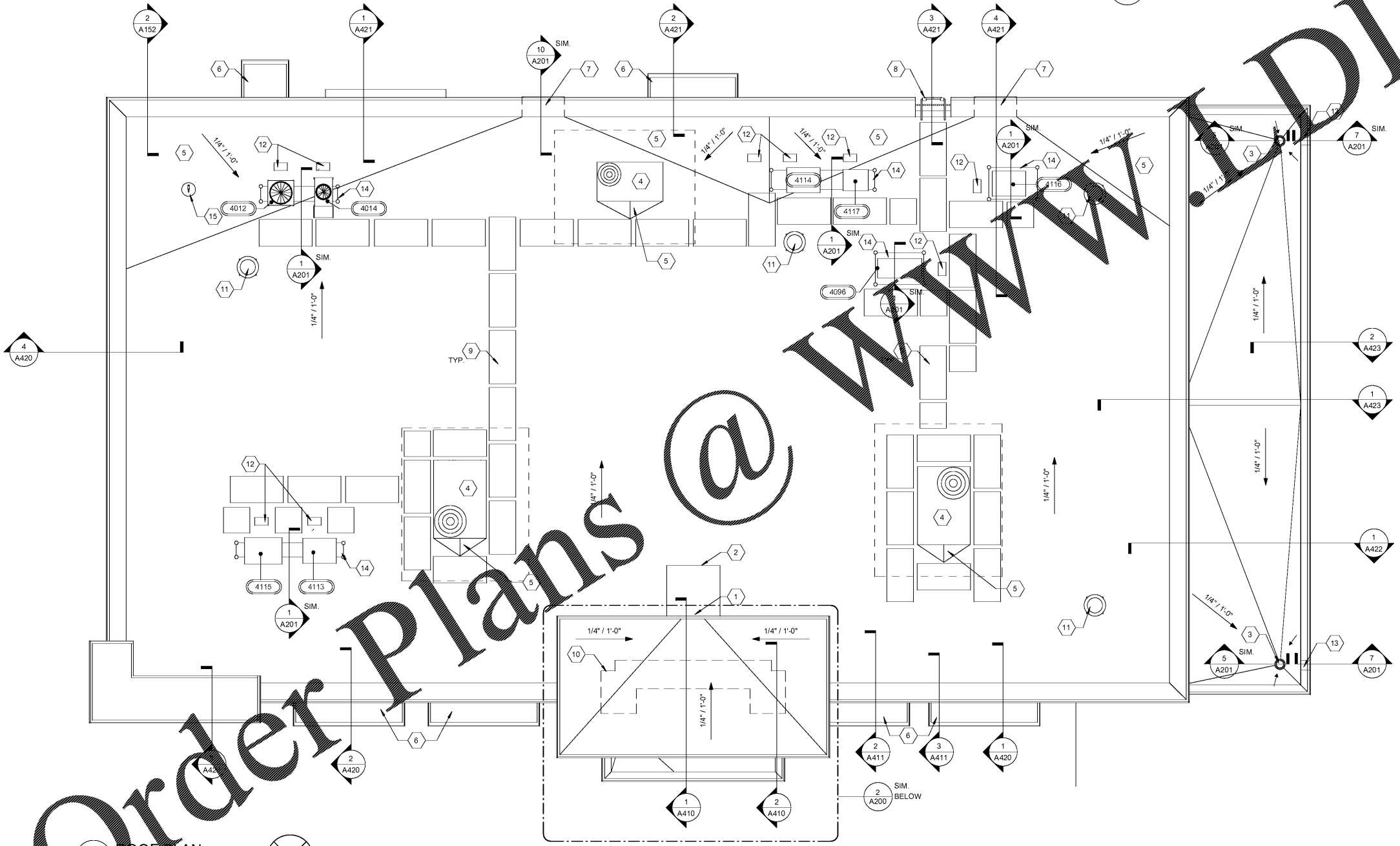
**LADDER:**  
PROVIDE CODE COMPLIANT EXTERIOR ROOF ACCESS LADDER 3/8"x 3" CONT. STEEL FLAT BAR SIDE RAILS W/ EASED EDGES 18" APART W/ 3/4" DIA. SOLID STEEL BAR RUNGS AT 12" O.C. PROVIDE 8" MINIMUM CLEARANCE FROM EXTERIOR FACE OF WALL. PROVIDE BOLTED STEEL BRACKETS AT 6'-6", BEAM LEVEL, AND REAR OF PARAPET - THROUGH BOLT TO WALL W/ 1/2" DIA A307 BOLTS W/ OVERSIZED HARDENED WASHERS ON I.S. & O.S. FACES. BEGIN LADDER AT 0'-0" ABOVE FINISHED GRADE AND PROVIDE LOCKABLE GUARD CAGE TO 8'-0" ABOVE FINISHED GRADE.

**GUARD CAGE:**  
GUARD CAGE TO CONSTRUCTED FROM 1 1/2"x 1 1/2"x 3/16" THICK STEEL ANGLE AND MITERED AT CORNERS. ALL WELDS TO BE GRIND SMOOTH. WELD WIRE MESH AT REAR OF ANGLE FRAME AND PROVIDE STEEL HASP CLOSURE FOR PADLOCK AT 48" ABOVE FINISHED GRADE.

**LADDER PLATFORM:**  
EXTEND LADDER RAILS 4'-0" ABOVE PARAPET. PROVIDE METAL GRATE PLATFORM 6" ABOVE TOP OF PARAPET TO WALK OVER AND RETURN LADDER DOWN TO WITHIN 12" OF ROOF SURFACE.



**2 LOWER CANOPY PLAN**  
3/16" = 1'-0"



**1 ROOF PLAN**  
1/8" = 1'-0"

**GENERAL NOTES**

1. PROVIDE DURO-LAST MEMBRANE 50 MIL THERMOPLASTIC ROOFING SYSTEM. MECHANICALLY ANCHORED AND INSTALLED PER MANUFACTURER'S SPECIFICATIONS.

**SHEET KEYNOTES**

- 1 ROOF SCUPPER. REFER TO DETAILS ON SHEET A201
- 2 PROVIDE LAYER OF THERMOPLASTIC ROOFING MEMBRANE BELOW MAIN ROOF MEMBRANE. INSTALL SPLASH BLOCK IN A 4' X 4' LOCATION BELOW UPPER ROOF SCUPPER
- 3 ROOF DRAIN. PROVIDE 1/4" SLOPE IN EACH DIRECTION FOR POSITIVE DRAINAGE. REFER TO DETAIL ON SHEET A201
- 4 ROOF TOP UNIT. REFER TO MECHANICAL DRAWINGS FOR UNIT INFORMATION. REFER TO SHEET A201 FOR CURB DETAIL.
- 5 PROVIDE TAPERED INSULATION CRICKET AT ALL ROOF TOP EQUIPMENT AND AS INDICATED. SLOPE 1/4" MINIMUM FOR POSITIVE DRAINAGE.
- 6 METAL AWNING
- 7 METAL SCUPPER, CONDUCTOR HEAD, GUTTER AND DOWNSPOUT BELOW AS DETAILED ON SHEET A201. REFER TO SHEET A300 FOR DIMENSIONS.
- 8 PAINTED STEEL ROOF LADDER. REFER TO DETAILS ON THIS SHEET AND WALL SECTION ON SHEET A421.
- 9 PROVIDE DURO-LAST ROOF TRAK III WALKWAY PADS AS INDICATED.
- 10 ROOF LINE BELOW
- 11 EXHAUST FAN. REFER TO MECHANICAL.
- 12 ATR HUB FOR REFRIGERATION AND ELECTRICAL LINES AND CONDUITS. SEE A201 FOR DETAILS. ATR HUB TO BE PROVIDED BY DURO-LAST.
- 13 OVERFLOW SPILL SCUPPER
- 14 REFRIGERATION SUPPORT RACK. REFER TO DETAIL ON SHEET A201.
- 15 NO-FREEZE ROOF HYDRANT. SEE PLUMBING DRAWINGS.
- 16 ILLUMINATED SIGN PANEL BY OWNER.
- 17 3" PVC DOWNSPOUT ROUTED INSIDE PIER WALL CAVITY. SEE STRUCTURAL FOR TYPICAL FOUNDATION PENETRATION DETAILS. REFER TO CIVIL FOR CONNECTIONS.
- 18 ROOF LINE ABOVE.

**ROOF DRAINAGE CALCULATIONS**

- ROOF DRAINAGE CALCULATIONS PER THE INTERNATIONAL PLUMBING CODES
1. ROOF AREA @ 5.957 SF AREA RAINFALL @ 5 INCHES PER HOUR
  2. SCUPPER SIZE PER CHAPTER 1106 AND 1107
    - 1.1 AT A 5-INCH SQUARE HEAD, A 24-INCH HIGH OPENING WILL ACCOMMODATE A ROOF AREA OF 6.590 SF
    - 1.2 ONE SCUPPER OF EQUAL SIZE IS REQUIRED FOR A SECONDARY DRAIN
  3. THE LOW SIDE OF THIS BUILDING IS DESIGNED WITH 2 OPENINGS @ 24 INCHES HIGH X 4-FEET WIDE. EACH OPENING HAS A GUTTER AND DOWNSPOUT. THE PROVIDED AMOUNT EXCEEDS THE MINIMUM REQUIRED CALCULATED AREA
  4. VISUAL OVERFLOW IS PROVIDED AT EACH SCUPPER/DOWNSPOUT. SECONDARY OVERFLOW DRAINAGE SYSTEM IS PROVIDED AT 2" ABOVE PRIMARY DRAIN SYSTEM IN THE EVENT THAT PRIMARY ROOF DRAINAGE SYSTEM IS NON-FUNCTIONAL. REFER TO DETAIL 10/A201 FOR MORE INFORMATION. ROOF SYSTEM DESIGNED TO ACCOMMODATE THE ADDITIONAL DEAD LOAD IN THE EVENT THE PRIMARY DRAIN SYSTEM FAILS.
  5. CANOPY ROOF AREA @ 660 SF MAXIMUM AREA RAINFALL @ 5 INCHES PER HOUR
    - 1.1 3-INCH SQUARE DOWNSPOUT AND ROOF DRAIN WILL ACCOMMODATE A ROOF AREA OF 1,760 SF.
    - 1.2 ONE SCUPPER OF EQUAL SIZE IS REQUIRED FOR A SECONDARY DRAIN.
  6. ROOF DRAIN SIZE PER CHAPTER 1106 AND 1107
    - 1.1 3-INCH SQUARE DOWNSPOUT AND ROOF DRAIN WILL ACCOMMODATE A ROOF AREA OF 1,760 SF.
    - 1.2 ONE SCUPPER OF EQUAL SIZE IS REQUIRED FOR A SECONDARY DRAIN.
  7. EACH CANOPY IS PROVIDED WITH A DEDICATED ROOF DRAIN, DOWNSPOUT, AND OVERFLOW SCUPPER. THE PROVIDED AMOUNT EXCEEDS THE MINIMUM REQUIRED CALCULATED AREA.

**RaceTrac**

THESE PLANS ARE SUBJECT TO FEDERAL COPYRIGHT LAWS. ANY USE OF SAME WITHOUT THE EXPRESSED WRITTEN PERMISSION OF RACETRAC PETROLEUM, INC. IS PROHIBITED. © 2016 RACETRAC PETROLEUM, INC.

**DESIGN PROFESSIONALS**



**HILL FOLEY ROSSI & ASSOCIATES**  
ARCHITECTURE  
ENGINEERING  
3680 Pleasant Hill Road  
Suite 200  
Duluth, Georgia 30096  
p 770.622.9858  
f 770.622.9535  
www.hillfoleyrossi.com

**ISSUE/REVISION RECORD**

| DATE     | DESCRIPTION       |
|----------|-------------------|
| 09/04/18 | ISSUED FOR PERMIT |
|          |                   |
|          |                   |
|          |                   |
|          |                   |
|          |                   |
|          |                   |
|          |                   |
|          |                   |

**RaceTrac**

RACETRAC PETROLEUM, INC.  
200 GALLERIA PARKWAY SOUTHEAST  
SUITE 900  
ATLANTA, GEORGIA 30339  
(770) 431-7600

**PROJECT NAME**

**PEACHTREE PKWY & ENG.**

**PEACHTREE CORNERS**

5780 PEACHTREE PKWY  
PEACHTREE CORNERS, GA  
RACETRAC STORE NUMBER

**1201**

PROTOTYPE SERIES 5.5K 2.0  
2018 RH MO

**PLAN MODIFICATION NOTICE**

SPB NO. DATE  
STANDARD PLAN BULLETINS (SPB) MODIFY THE PROTOTYPE SERIES SET NOTED ABOVE. THE LISTED SPB REPRESENTS THE LATEST MODIFICATION INCORPORATED TO THIS PROTOTYPE SERIES SET AT ORIGINAL RELEASE. THE ISSUE/REVISION RECORD COLUMN ABOVE LISTS ANY REVISIONS OR SPB INCORPORATED IN THIS SET AFTER THE ORIGINAL RELEASE. CONTACT RACETRAC ENGINEERING AND CONSTRUCTION FOR ANY SUBSEQUENT BULLETINS NOT INCORPORATED HEREIN.

**PROFESSIONAL SEAL**



**PROJECT NUMBER**  
18.703.00

**SHEET TITLE**

**ROOF PLAN**

**SHEET NUMBER**

**A200**

ISSUED FOR PERMIT

Order Plans @ WWW.DILine.com