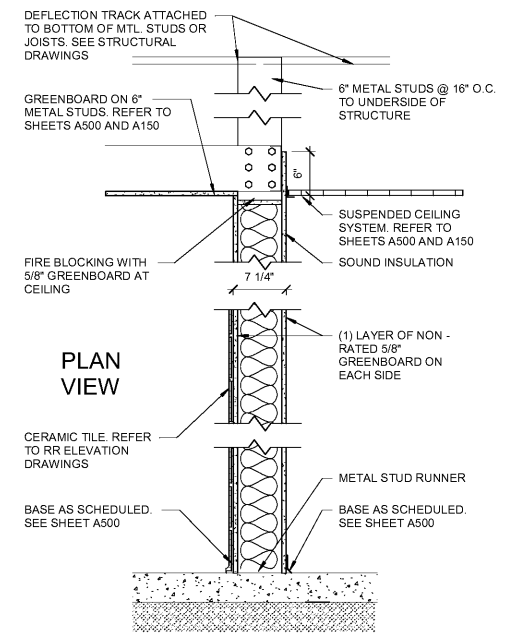
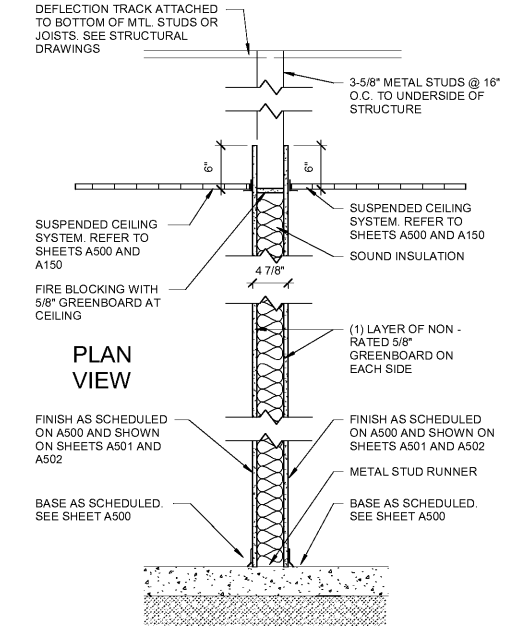


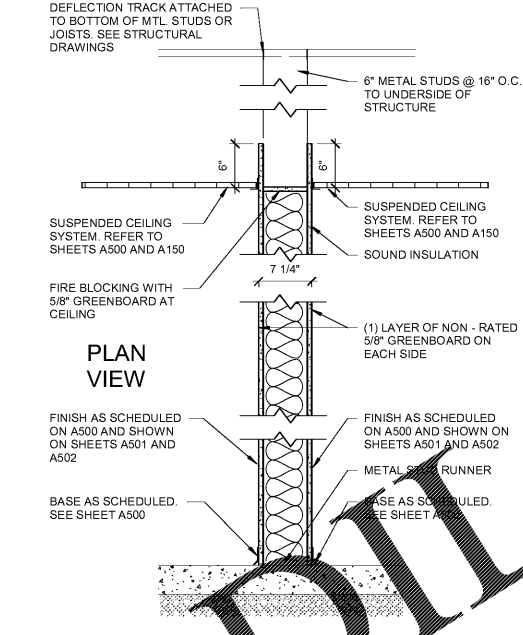
10 PARTITION TYPE P1  
1" = 1'-0"



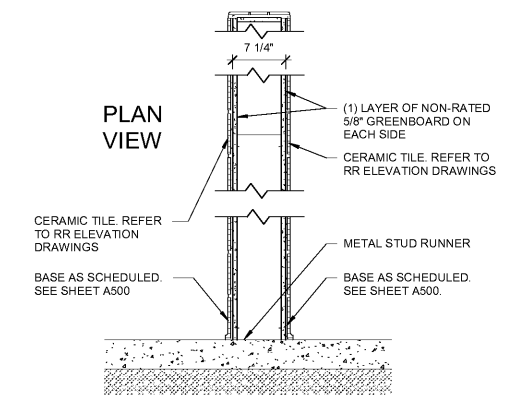
9 PARTITION TYPE P2  
1" = 1'-0"



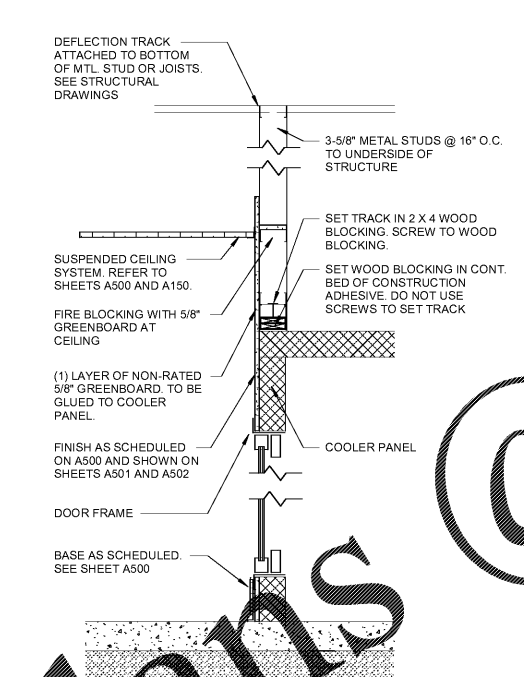
8 PARTITION TYPE P3  
1" = 1'-0"



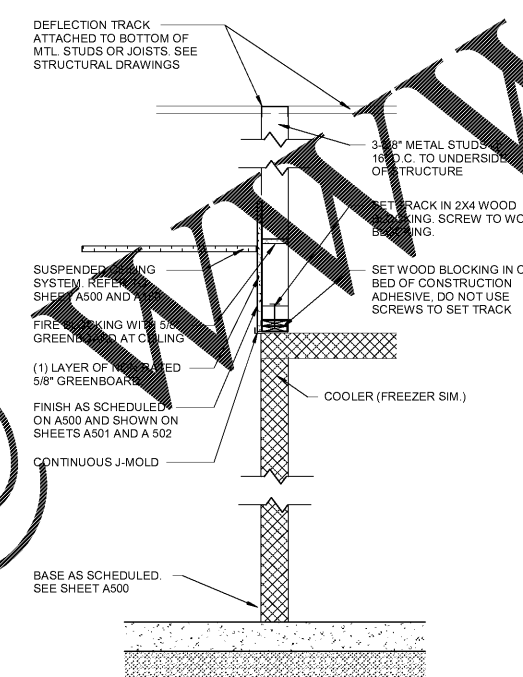
7 PARTITION TYPE P4  
1" = 1'-0"



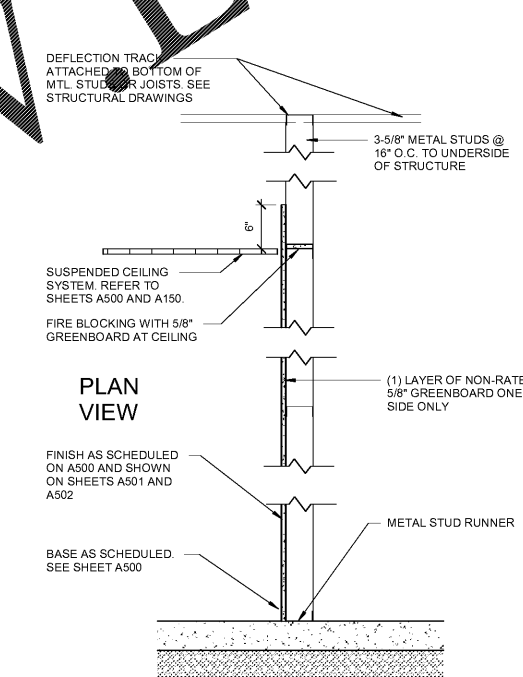
6 PARTITION TYPE P5  
1" = 1'-0"



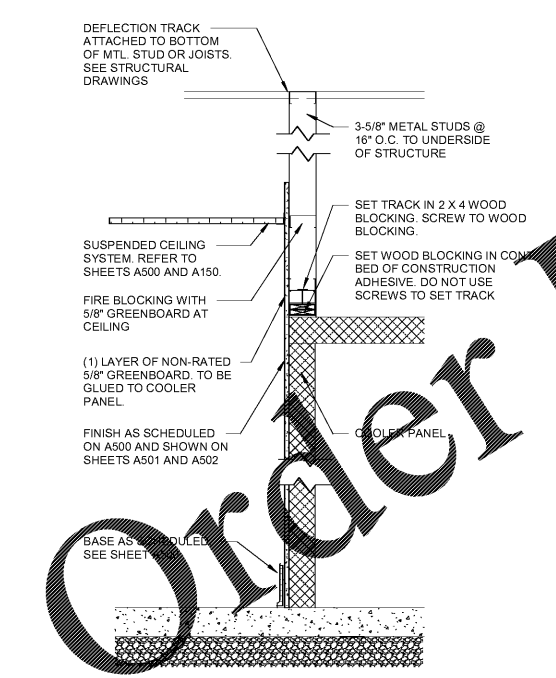
5 PARTITION TYPE P6  
1" = 1'-0"



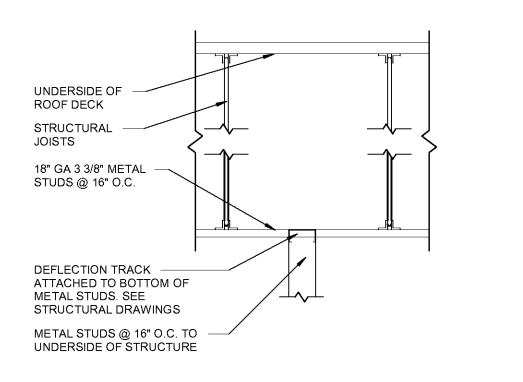
4 PARTITION TYPE P7  
1" = 1'-0"



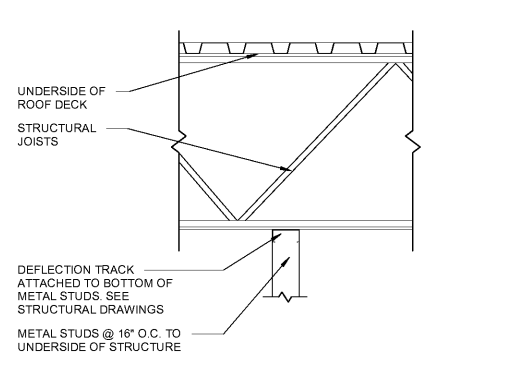
3 PARTITION TYPE P8  
1" = 1'-0"



2 PARTITION TYPE P9  
1" = 1'-0"



1 TYPICAL ATTACHMENT DETAILS  
1" = 1'-0"



1 TYPICAL ATTACHMENT DETAILS  
1" = 1'-0"

GENERAL NOTES

- DO NOT SCALE PLANS.
- ALL PARTITIONS ARE TO BE ATTACHED TO DEFLECTION TRACK AT THE BOTTOM CHORD OF THE ROOF JOIST OR TO A UNISTRUT. NO PARTITIONS SHALL BE ANCHORED TO THE METAL ROOF DECK.
- SEE SHEETS A500, A501 AND A502 FOR FINISHES.
- SEE SHEET A150 FOR CEILING HEIGHTS AND MATERIAL.
- USE 5/8" PLYWOOD IN LIEU OF GREENBOARD AS REQUIRED FOR SHELVING ATTACHMENT.
- SEE A501 AND A502 FOR LOCATIONS OF PLYWOOD TO BE PROVIDED BEHIND WALL HUNG EQUIPMENT.
- PROVIDE ADDITIONAL LAYER OF 1/4" GYPSUM BOARD OVER PLYWOOD WHERE WALL COVERING IS REQUIRED.
- SEE EXTERIOR ELEVATIONS FOR EXTERIOR WALL TYPES.
- SEE STRUCTURAL DRAWINGS FOR LIGHT GAUGE FRAMING REQUIREMENTS.

NOTE:  
FIRE BLOCKING FOR 'TYPE V' CONSTRUCTION: FIRE BLOCKING SHOULD BE INSTALLED IN AREAS WHICH MAY INCLUDE, BUT ARE NOT LIMITED TO, CONCEALED SPACES OF THE STUD WALLS AND PARTITIONS, INCLUDING FINISHED SPACES AND PARALLEL ROWS OF STUDS OR STAGGERED STUDS, AS FOLLOWS:  
A. VERTICALLY AT THE CEILING  
B. HORIZONTALLY AT INTERVALS NOT EXCEEDING 10'-0", PROVIDE 5/8" GREENBOARD.

**RaceTrac**  
COPYRIGHT NOTICE  
THESE PLANS ARE SUBJECT TO FEDERAL COPYRIGHT LAWS. ANY USE OF SAME WITHOUT THE EXPRESSED WRITTEN PERMISSION OF RACETRAC PETROLEUM, INC. IS PROHIBITED. 2016 RACETRAC PETROLEUM, INC.

**DESIGN PROFESSIONALS**  
**HILLFOLEYROSSI & ASSOCIATES**  
ARCHITECTURE  
ENGINEERING  
3680 Pleasant Hill Road  
Suite 200  
Duluth, Georgia 30096  
p 770.622.9858  
f 770.622.9535  
www.hillfoleyrossi.com

ISSUE/REVISION RECORD

DATE	DESCRIPTION
09/04/18	ISSUED FOR PERMIT

**RaceTrac**  
RACETRAC PETROLEUM, INC.  
200 GALLERIA PARKWAY SOUTHEAST  
SUITE 900  
ATLANTA, GEORGIA 30339  
(770) 431-7600

PROJECT NAME  
**PEACHTREE PKWY & ENG.**

**PEACHTREE CORNERS**  
5780 PEACHTREE PKWY  
PEACHTREE CORNERS, GA  
RACETRAC STORE NUMBER  
**1201**

PROTOTYPE SERIES 5.5K 2.0  
2018 RH MO

PLAN MODIFICATION NOTICE

SPB NO.	DATE

PROFESSIONAL SEAL

STATE OF GEORGIA  
JON B. ERICKSON  
REGISTERED PROFESSIONAL ARCHITECT  
09/04/18

PROJECT NUMBER  
18.703.00

SHEET TITLE  
**PARTITION TYPES**

SHEET NUMBER  
**A111**  
ISSUED FOR PERMIT