

GENERAL NOTES

- DO NOT SCALE PLANS.
- THE CONTRACTOR SHALL HIRE A SURVEYOR TO LAYOUT THE BUILDING ON THE SITE IN ACCORDANCE WITH THE CIVIL CONSTRUCTION DOCUMENTS.
- THE SURVEYOR AND CONTRACTOR SHALL FIELD VERIFY ALL EXISTING CONDITIONS AND SHALL NOTIFY THE OWNER, ENGINEER AND ARCHITECT OF ALL DISCREPANCIES.
- THE CONTRACTOR SHALL PREPARE THE BUILDING PAD PER THE GEOTECHNICAL REPORT.
- CONTACT LOCAL FIRE DEPARTMENT FOR SERVICE REQUIREMENTS PRIOR TO CONSTRUCTION.
- BURNING OF MATERIALS ON SITE IS NOT PERMITTED. SEE PLUMBING SHEETS 110 AND P103 FOR PLUMBING ROUGH IN DIMENSIONS.
- REFER TO SITE PLAN FOR LOCATION OF BUILDING JOINTS.
- JOINTS BETWEEN CONCRETE SLAB POURS SHALL BE DOWELED.
- SEE STRUCTURAL DRAWINGS. METAL KEYWAYS SHALL NOT BE USED.

SHEET KEYNOTES

- EDGE OF SIDEWALK TURN DOWN
- EMERGENCY SHUT OFF SWITCH. REFER TO DETAIL ON THIS SHEET
- EXTERIOR LIGHT BOLLARD. REFER TO SITE PLAN FOR SPECIFICATIONS. REFER TO ELECTRICAL DRAWINGS FOR CIRCUIT INFORMATION.
- TRAFFIC BOLLARD. REFER TO DETAIL THIS SHEET.
- SIDEWALK EXPANSION JOINT. REFER TO DETAIL THIS SHEET.
- 5"X5" DOWNSPOUT. TIE TO UNDERGROUND STORM. SEE CIVIL FOR CONTINUATION.
- 3"X3" DOWNSPOUT. TIE TO UNDERGROUND STORM. SEE CIVIL FOR CONTINUATION.
- SLAB TO ALIGN WITH FRONT EDGE OF MASONRY PIER. EXTERIOR LANDING NOT TO EXCEED SLOPE OF 1:48 IN ANY DIRECTION.
- ALIGN JOINT WITH 90 DEGREE TURN IN SIDEWALK LAYOUT.
- CONVENIENCE OUTLET MOUNTED IN WALL. REFER TO ELECTRICAL DRAWINGS.
- DASHED LINE INDICATES PATIO ROOF ABOVE.
- CAST STONE PIER CAP. REFER TO FLOOR REFERENCE PLANS FOR MORE INFORMATION.
- TABLES AND CHAIRS TO BE BOLTED TO SLAB.
- BIKE RACK. SEE CIVIL DRAWINGS FOR EXACT LOCATION.
- ALIGN JOINT WITH FACE OF CONCRETE OF PIER IN THIS LOCATION.
- CONTROL JOINT AT EDGE OF ROOM FINISH CONCRETE AT PATIO.
- LOCATE PROPANE CAGE 5' AWAY FROM ANY ELECTRICAL OUTLET.
- BOLLARD. SEE CIVIL FOR EXTENSION OF SITE PLAN.
- 3" DOWNSPOUT. TIE TO UNDERGROUND STORM. SEE CIVIL FOR CONTINUATION.
- LANDSCAPE BED.

SIDEWALK PLAN LEGEND

- E.J. EXPANSION JOINT
- C CENTER LINE
- L LIGHT BOLLARD
- PLANTING BED - SEE CIVIL DRAWINGS

RaceTrac
COPYRIGHT NOTICE
 THESE PLANS ARE SUBJECT TO FEDERAL COPYRIGHT LAWS. ANY USE OF SAME WITHOUT THE EXPRESSED WRITTEN PERMISSION OF RACETRAC PETROLEUM, INC. IS PROHIBITED. 2016 RACETRAC PETROLEUM INC.

DESIGN PROFESSIONALS
HILLFOLEYROSSI & ASSOCIATES
 ARCHITECTURE
 ENGINEERING
 3680 Pleasant Hill Road
 Suite 200
 Duluth, Georgia 30096
 p 770.622.9858
 f 770.622.9535
 www.hillfoleyrossi.com

ISSUE/REVISION RECORD

DATE	DESCRIPTION
09/04/18	ISSUED FOR PERMIT

RaceTrac
 RACETRAC PETROLEUM, INC.
 200 GALLERIA PARKWAY SOUTHEAST
 SUITE 900
 ATLANTA, GEORGIA 30339
 (770) 431-7600

PROJECT NAME
PEACHTREE PKWY & ENG.

PEACHTREE CORNERS
 5780 PEACHTREE PKWY
 PEACHTREE CORNERS, GA
 RACETRAC STORE NUMBER
1201

PROTOTYPE SERIES 5.5K 2.0
2018 RH MO

PLAN MODIFICATION NOTICE

SPB NO.	DATE
STANDARD PLAN BULLETINS (SPB) MODIFY THE PROTOTYPE SERIES SET NOTED ABOVE. THE LISTED SPB REPRESENTS THE LATEST MODIFICATION INCORPORATED TO THIS PROTOTYPE SERIES SET AT ORIGINAL RELEASE. THE ISSUE/REVISION RECORD COLUMN ABOVE LISTS ANY REVISIONS OR SPB INCORPORATED IN THIS SET AFTER THE ORIGINAL RELEASE. CONTACT RACETRAC ENGINEERING AND CONSTRUCTION FOR ANY SUBSEQUENT BULLETINS NOT INCORPORATED HEREIN.	

PROFESSIONAL SEAL

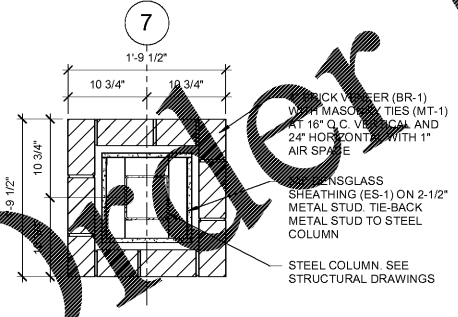


PROJECT NUMBER
 18.703.00

SHEET TITLE
EXTERIOR SIDEWALK PLAN AND DETAILS

SHEET NUMBER
A100
 ISSUED FOR PERMIT

5 EXTERIOR SIDEWALK PLANS
 3/16" = 1'-0"



3 EMERGENCY SHUT OFF
 1" = 1'-0"

2 SIDEWALK JOINT DETAIL
 1 1/2" = 1'-0"

1 BOLLARD LOCATION DETAIL
 1" = 1'-0"

Order Plans

WWW.DLINE.COM