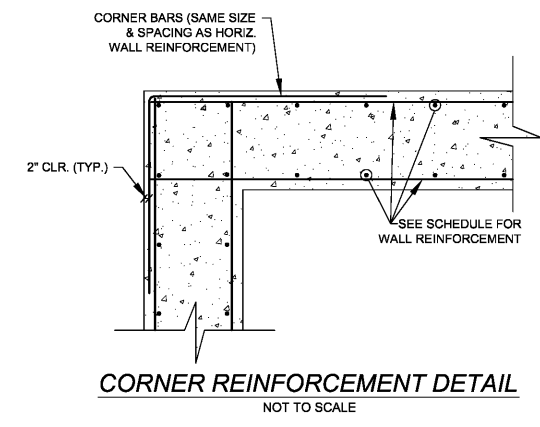


SEE CAST IN PLACE (CIP) RETAINING WALL SCHEDULE FOR REINFORCEMENT AND DIMENSIONS

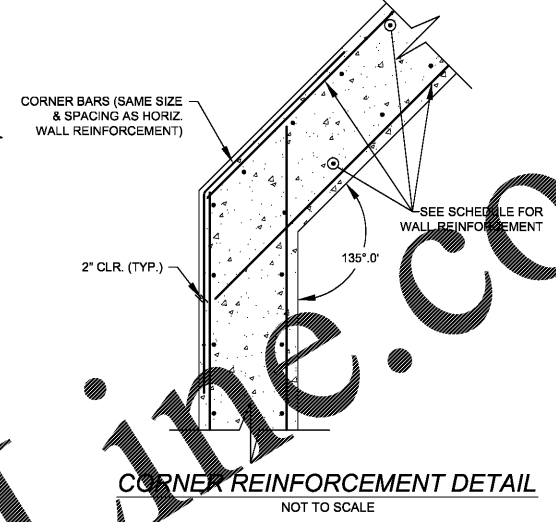
TYPICAL CAST IN PLACE CROSS SECTION
NOT TO SCALE

NOTE: IF WALL HEIGHT IS LESS THAN DESIGN-SECTION HEIGHT USE REINFORCEMENT LAYOUT FROM BOTTOM OF WALL (BW) UP TO ELEVATION OF TOP OF WALL.

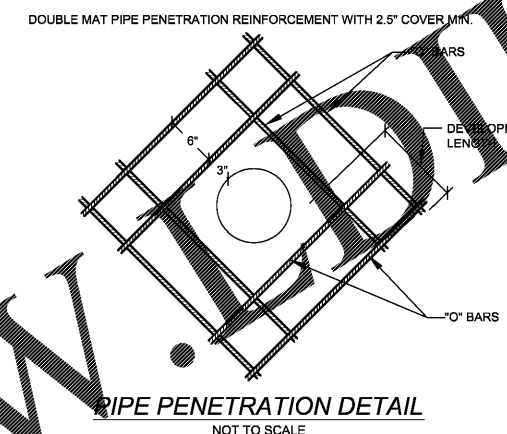
CIP RETAINING WALL SCHEDULE													
Design Section	H	SW	FT	W	TW	HW	KO	KW	KD	"O" (Dwls)	"T" (Bars)	"P" (Bars)	"K" (Bars)
Cast-in-Place Sections													
W13	13.0'	15"	18"	16.0'	3.0'	13.0'	4.5'	18"	54"	#6 @ 8"	#5 @ 8"	#5 @ 8"	#5 @ 8"
W12	12.0'	12"	18"	13.5'	3.0'	10.5'	2.0'	18"	54"	#5 @ 9"	#5 @ 9"	#4 @ 18"	#5 @ 9"
W11	11.0'	12"	15"	12.0'	3.0'	9.0'	2.0'	18"	54"	#6 @ 9"	#5 @ 9"	#4 @ 18"	#5 @ 9"



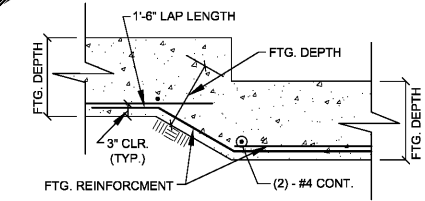
CORNER REINFORCEMENT DETAIL
NOT TO SCALE



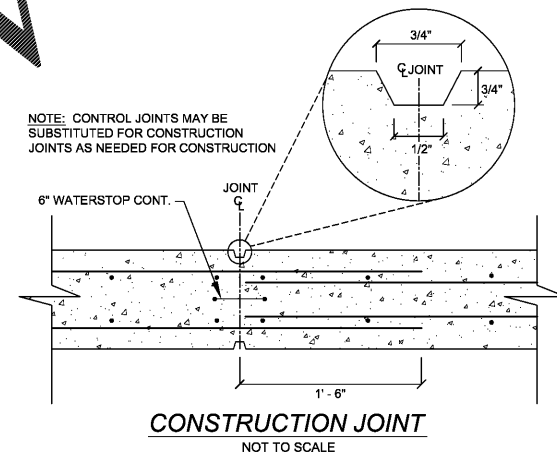
CORNER REINFORCEMENT DETAIL
NOT TO SCALE



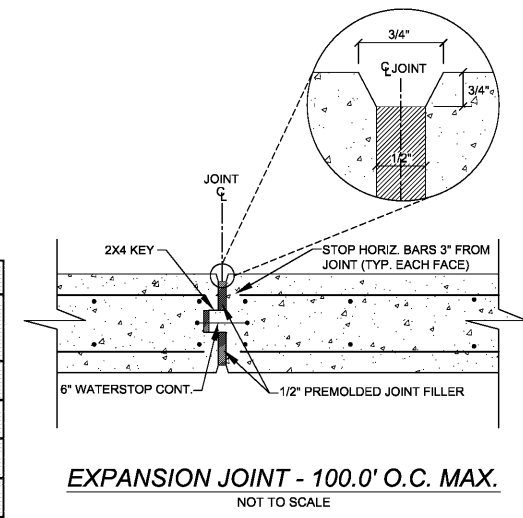
PIPE PENETRATION DETAIL
NOT TO SCALE



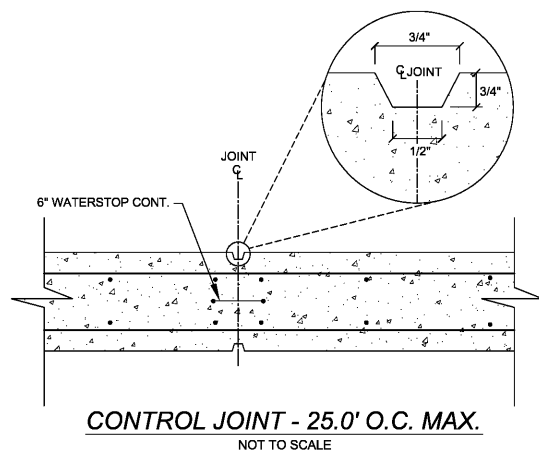
STEPPED FOOTING DETAIL
NOT TO SCALE



CONSTRUCTION JOINT
NOT TO SCALE



EXPANSION JOINT - 100.0' O.C. MAX.
NOT TO SCALE



CONTROL JOINT - 25.0' O.C. MAX.
NOT TO SCALE

BAR NO.	ld (DEVELOPMENT LENGTH - USED FOR SPLICING BARS)
4	28"
5	36"
6	43"
7	63"
8	72"

THIS DESIGN IS BASED UPON SPECIFIC PROPERTIES OF MATERIALS WHICH ARE PROPRIETARY. ANY SUBSTITUTION OF THE SPECIFIED PRODUCTS OR CHANGE IN STRUCTURE GEOMETRY WILL INVALIDATE THIS DESIGN. THIS DRAWING IS BEING FURNISHED FOR USE ON THIS SPECIFIC PROJECT ONLY. ANY PARTY ACCEPTING THIS DOCUMENT DOES SO IN CONFIDENCE AND AGREES THAT IT SHALL NOT BE DUPLICATED, IN WHOLE OR IN PART, NOR DISCLOSED TO OTHERS WITHOUT THE CONSENT OF ENGINEERED EARTH SOLUTIONS, LLC. THIS DRAWING, DESIGN NOTES, AND ASSOCIATED CALCULATIONS HAVE BEEN PREPARED BY ENGINEERED EARTH SOLUTIONS, LLC. FROM INFORMATION PROVIDED BY OTHERS. FINAL DETERMINATION OF THE SUITABILITY OF ANY INFORMATION CONTAINED HEREIN IS THE RESPONSIBILITY OF THE USER.

COPYRIGHT © 2018 ENGINEERED EARTH SOLUTIONS, LLC.

REVISION/ISSUE

DATE: 02/23/18
ISSUE FOR CONSTRUCTION



RaceTrac
RACETRAC PETROLEUM, INC.
3225 CUMBERLAND BOULEVARD
SUITE 100 ATLANTA, GA 30339
(770) 431-7600
CLIENT

ENGINEERED EARTH SOLUTIONS, LLC
441 CREEKSTONE RIDGE
WOODSTOCK, GEORGIA 30188
TEL: (770) 592-2850 FAX: (770) 592-2853
EMAIL: ENGINEERING@EESOLS.COM
ENGINEEREARTH SOLUTIONS.COM



RACETRAC #1301

DETAIL SHEET

SHEET
CIP3
OF 3

PROJECT NO.: W18-0064

GEORGIA

PEACHTREE CORNERS