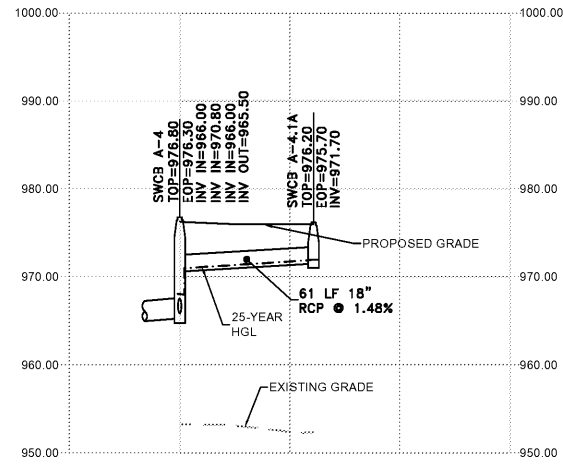
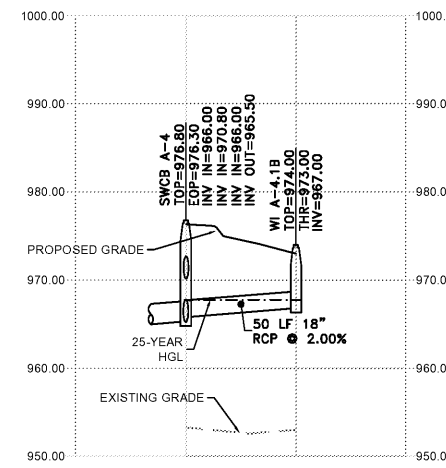


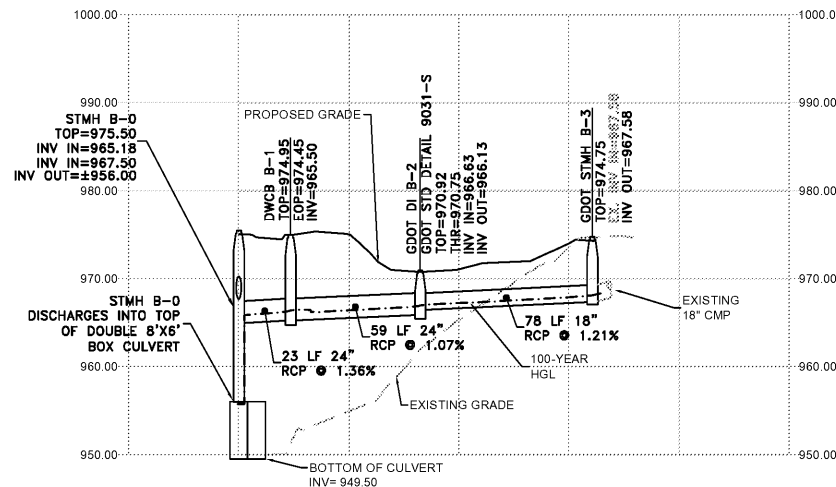
STORM SEWER PROFILE A-3 TO A-3.1



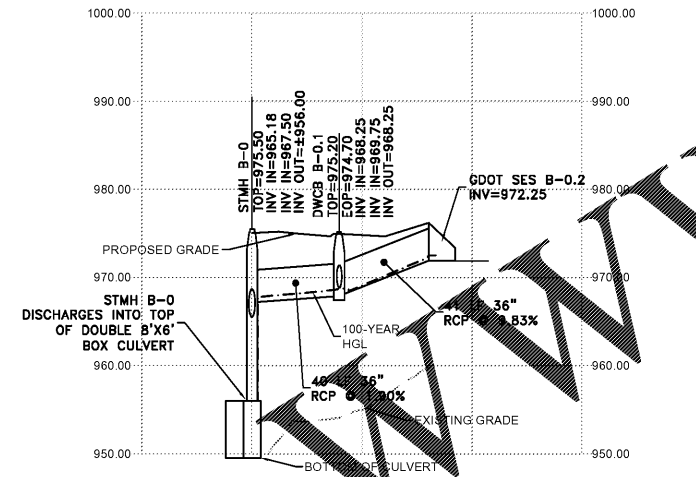
STORM SEWER PROFILE A-4 TO A-4.1A



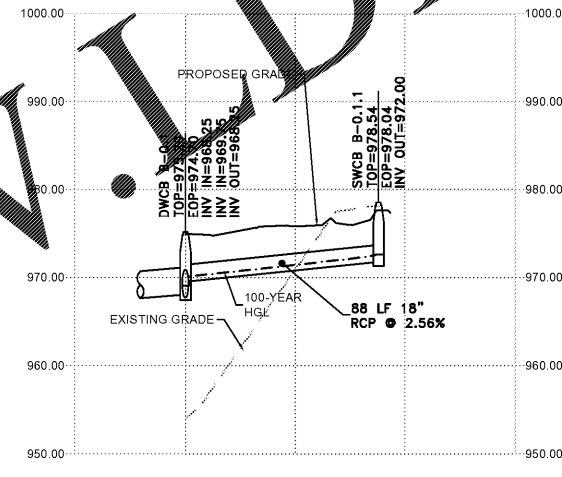
STORM SEWER PROFILE A-4 TO A-4.1



STORM SEWER PROFILE B-0 TO B-3

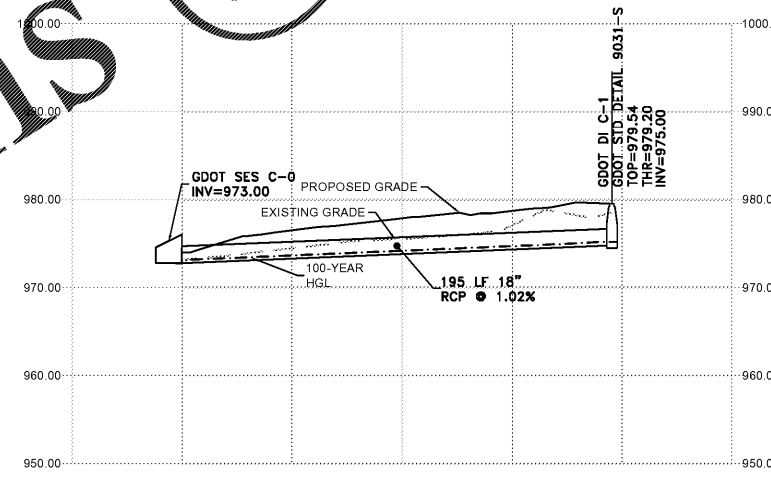


STORM SEWER PROFILE B-0 TO B-0.2



STORM SEWER PROFILE B-0.1 TO B-0.1.1

ALL RCP PIPE JOINTS SHALL BE BELL & SPIGOT TYPE WITH A RUBBER GASKET CONFORMING TO ASTM C-443. THE PIPE SHALL BE MANUFACTURED IN ACCORDANCE WITH AASHTO M-170 AND/OR ASTM C-76. CALSS OF PIPE AND WALL THICKNESS SHALL BE IN ACCORDANCE WITH 1030-D, GEORGIA DOT SPECIFICATION, TABLE NO. 1. INSTALLATION SHALL BE IN ACCORDANCE WITH SECTION 550 OF THE GEORGIA DOT SPECIFICATIONS, CONSTRUCTION OF ROADWAYS AND BRIDGES.



STORM SEWER PROFILE C-0 TO C-1

Order Plans @ www.wildline.com



Know what's below. Call before you dig.

STORM SEWER PROFILES

SCALE: (VERT) 1" = 10'
(HORZ) 1" = 40'

JURISDICTIONAL COMMENTS	DATE
1. JURISDICTIONAL COMMENTS	02/28/18
2. GDOT COMMENTS	03/06/18
3. GDOT COMMENTS	05/08/18
5. OWNER REVISIONS & JURISDICTIONAL COMMENTS	06/29/18
	NO

<p>Columbia Engineering</p> <p>282 BURFORD HIGHWAY DULUTH, GEORGIA 30096 (770) 925-0357</p>	<p>REGISTERED PROFESSIONAL ENGINEER No. 699074 PEOPLE'S CHOICE AWARD WINNER, 2015</p>
<p>RACETRAC PETROLEUM, INC. 200 GALLERIA PARKWAY SUITE 800 DULUTH, GA 30096 (770) 451-7600</p>	<p>PROFILES PEACHTREE CORNERS RACETRAC 5760 PEACHTREE PARKWAY PEACHTREE CORNERS, GEORGIA GWINNETT COUNTY DIST. 6, LL 284, PARCELS: 6-284-16, 18, 40, 56</p>
<p>DRAWN-BY: RHF</p> <p>DATE: 01/15/2018</p> <p>SCALE: 1" = 40'</p> <p>DRAWING NAME: 4607.00.dwg</p>	<p>C-8.4 1</p>
SHEET NO.	VERSION