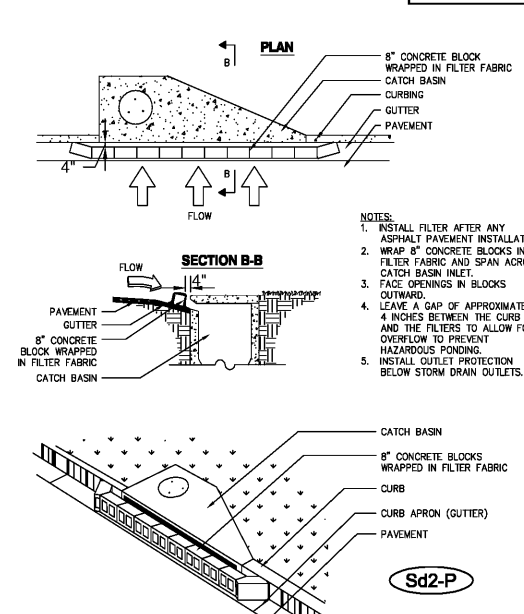
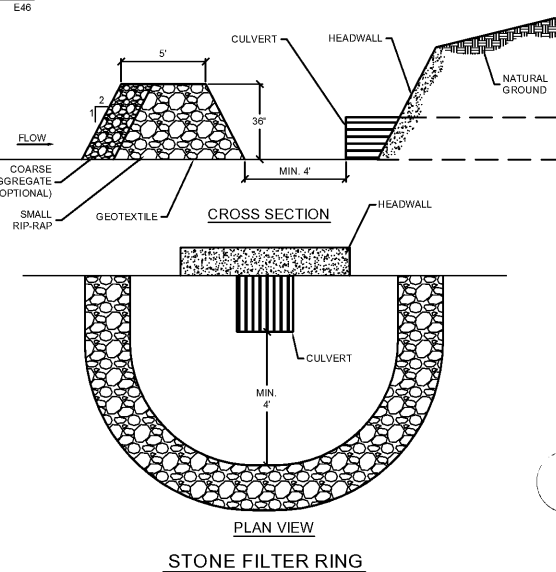
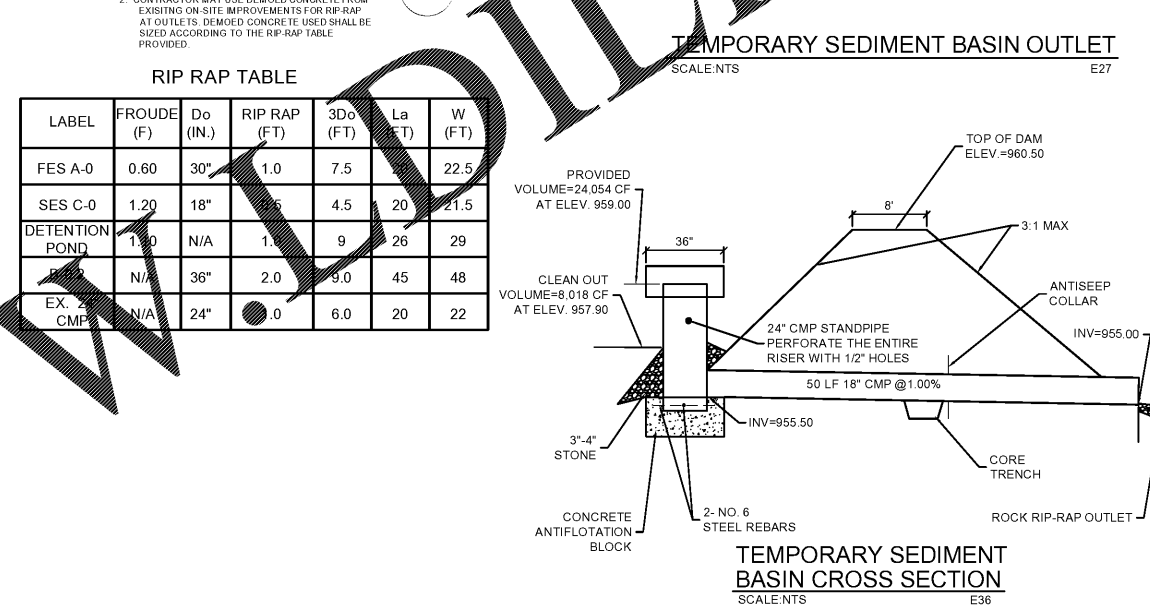
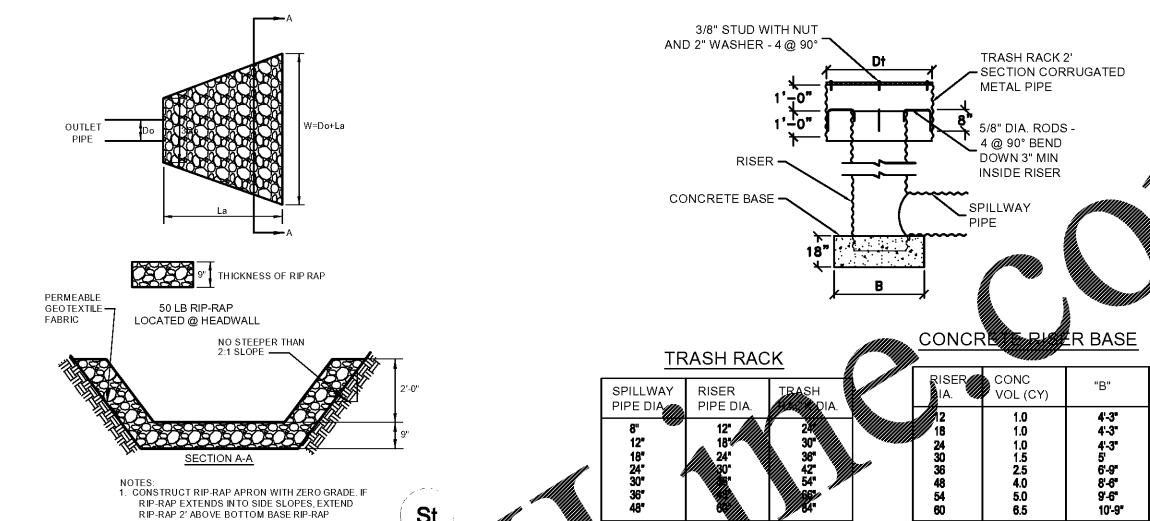
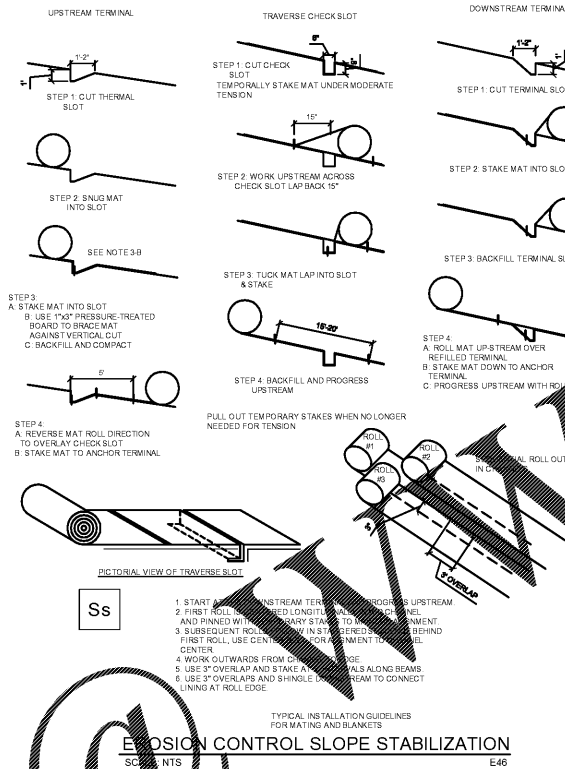


SPECIES	LBS/AC PLS (PURE LIVE SEED)	PLANTING DATES												NOTES	
TEMPORARY		J	F	M	A	M	J	J	A	S	O	N	D	LEGEND	
LOVEGRASS, WEEPING (ERAGROSTIS CURVULA)	2 LBS													= OPTIMUM PLANTING DATES + PREFERRED SEED	
MILLET, BROWN TOP (PANICUM FASCICULATUM)	10 LBS													= ACCEPTABLE PLANTING DATES + ALTERNATE SEED	
GRAIN RYE (SECALE CEREALE) [NOT ANNUAL RYEGRASS]	1/2 BU (30 LBS)													WHEN POSSIBLE, THE PREFERRED SEED SHOULD BE PLANTED WITHIN THE OPTIMUM PLANTING DATES. UNDER IDEAL CIRCUMSTANCES, A SINGLE TEMPORARY SEED SHALL BE SELECTED AND INCORPORATED INTO THE D3 SEEDING MIXTURE AT THE RATE PROVIDED.	
WHEAT (TRITICUM AESTIVUM)	1/2 BU (30 LBS)														
SPECIES	LBS/AC PLS (PURE LIVE SEED)	PLANTING DATES												NOTES	
PERMANENT NATIVE SEED - COOL SEASON-GRASS		J	F	M	A	M	J	J	A	S	O	N	D	LEGEND	
CANADA WILD RYE (ELYMUS CANADENSIS)	2 LBS													= OPTIMUM PLANTING DATES + PREFERRED SEED	
VIRGINIA WILD RYE (ELYMUS VIRGINICUS)	2 LBS													= ACCEPTABLE ALTERNATE PLANTING DATES	
BOTTLE BRUSH GRASS (HYSTRIX PATULA)	2 LBS													3 OF THE SEASONALLY APPROPRIATE NATIVE GRASSES PROVIDED SHOULD BE SELECTED BASED ON AVAILABILITY, AND REPUTABILITY OF SELLER. 8 LBS OF SEED MIXTURE SHALL BE CONTRIBUTED FROM NATIVE GRASS SEED	
WOOLGRASS (SCIRPUS CYPERINUS)	2 LBS														
RIVER OATS (CHASMANTHIUM LATIFOLIUM)	2 LBS														
LITTLE BLUESTEM (SCHIZACHYRIUM SCOPARIUM)	2 LBS														
INDIANGRASS (SORGHASTRUM NUTANS)	2 LBS														
PURPLE TOP (TRIDENS FLAVUS)	2 LBS														
SWITCHGRASS (PANICUM VIRGATUM)	2 LBS														
PERMANENT NATIVE SEED - HERBACEOUS		J	F	M	A	M	J	J	A	S	O	N	D		LEGEND
JOE PYLE WEED (EUPATORIUM FISTULOSUM)	-														= OPTIMUM PLANTING DATES + PREFERRED SEED
WHITE SNAKEROOT (AGERATINA ALTISSIMA)	-														AT LEAST 3 OF THE SEASONALLY APPROPRIATE NATIVE HERBACEOUS PERENNIALS PROVIDED SHOULD BE SELECTED BASED ON AVAILABILITY, AND REPUTABILITY OF SELLER. 4 LBS/ACRE OF SEED SHALL BE CONTRIBUTED. CONTRACTOR MAY CONTACT ERNST SEED COMPANY AT (800)873-3321 FOR ADDITIONAL GUIDANCE
FROST ASTER (ASTER PILOSUS)	-														
LANCE-LEAF COREOPSIS (COREOPSIS LANCEOLATA)	-														
TALL COREOPSIS (COREOPSIS TRYPTERIS)	-														
BONESET (EUPATORIUM PERFORIATUM)	-														
FRINGED LOOSESTRIFE (RUDECKIA HIRTA)	-														
GOLDENROD (SOLIDAGE NEMORALIS)	-														
MOUNTAIN MINT (PYCNANTHEMUM TENUFOLIUM)	-														
WILD BERGAMOT (MONARDA FISTULOSA)	-														
IRONWEED (VERNONIA NOVBORACENSIS)	-														
SWAMP MILKWEED (ASCLEPIAS INCARNATA)	-														
PARTRIDGE PEA (CHAMAECRISTA FASCICULATA)	-														
SWAMP SUNFLOWER (HELIANTHUS ANGSTIFOLIUS)	-														
BUTTERFLY WEED (ASCLEPIAS TUBEROSE)	-														

SEED MIXTURE SHALL BE HYDRATED AND PREPARED PRIOR TO THE INSTALLATION OF SLOPE STABILIZATION. REFER TO SLOPE STABILIZATION MANUAL FOR INSTALLATION REQUIREMENTS OF SLOPE STABILIZATION

**DISBURBED AREA STABILIZATION WITH PERMANENT VEGETATION (ON SLOPE STABILIZATION AREAS ONLY)**

Ss Ds3



02/26/18  
06/29/18  
09/07/18

1 - JURISDICTIONAL COMMENTS  
5 - OWNER REVISIONS & JURISDICTIONAL COMMENTS  
9 - OWNER REVISIONS & JURISDICTIONAL COMMENTS

Columbia Engineering  
2842 BUFORD HIGHWAY  
DULUTH, GEORGIA 30096  
(770) 925-0377

REGISTERED PROFESSIONAL ENGINEER  
STATE OF GEORGIA  
No. 69974  
RACETRAC PETROLEUM, INC. IS PROHIBITED

THESE PLANS ARE SUBJECT TO FEDERAL COPYRIGHT LAWS. ANY USE OF SAME WITHOUT THE WRITTEN PERMISSION OF RACETRAC PETROLEUM, INC. IS PROHIBITED.

RACETRAC PETROLEUM, INC.  
200 GALLERIA PARKWAY, SUITE 900, ATLANTA, GA 30339  
(770) 481-7600

EROSION CONTROL DETAILS  
PEACHTREE CORNERS RACETRAC  
5780 PEACHTREE PARKWAY  
PEACHTREE CORNERS, GEORGIA  
GWINNETT COUNTY  
DIST. 6, I.L. 284, PARCELS: 6-284-16, 18, 40, 96

DRAWN BY: JCW  
DATE: 01/15/2018  
SCALE: N/A  
DRAWING NAME: 4807\_00-Details.dwg  
C-2.7 1  
SHEET NO. VERSION

CONTACT RACETRAC PETROLEUM, INC. PROJECT MANAGER PRIOR TO ANY REVISIONS TO THE PLAN SUPPLIED BY RACETRAC PETROLEUM, INC.