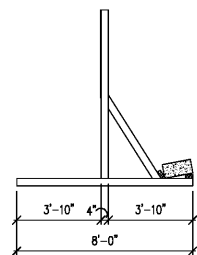
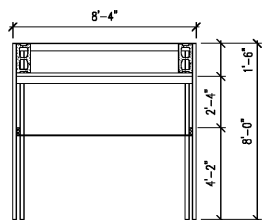


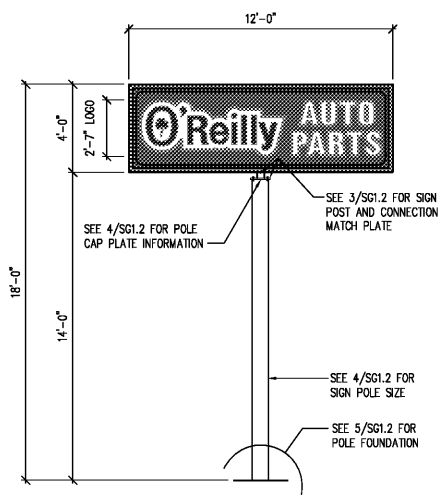
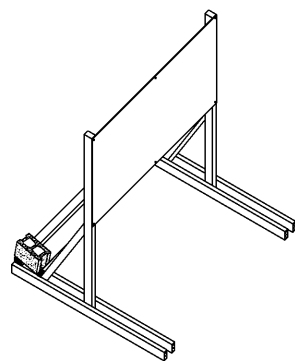
FRONT



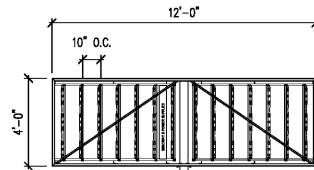
SIDE



TOP

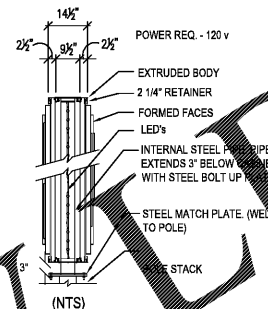


"O'Reilly" Cloud Logo with "AP" channel letters on 7" (h) x 1" (d) wireways. Wireways pain to: OAP RED
 "O'Reilly" Cloud Logo is formed polycarb with double embossment with 2nd surface painted graphics. Paint match to: Green (PMS# 342c), Black and White.
 "AP" to have formed polycarb caps with 1/4" letter "bumps". Black 5" aluminum coil returns. 2nd surface Black and White paint. WHITE LED illumination.



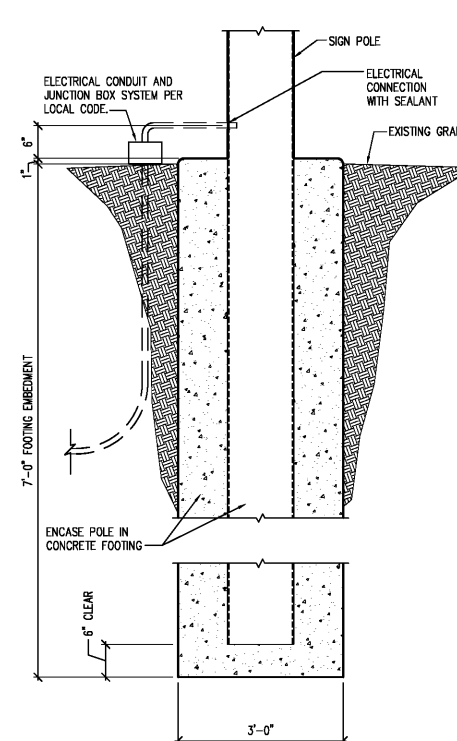
Pole Face Sign Part# 4-12 Sign Cabinet-PE-DF
 Scale: 1/4" = 1'-0" 48.00 sq. ft.

- 1 14-1/2" deep extruded cabinet with support structure and 2 1/4" retainers
- 2 Internal steel pipe with external steel bolt-up plate(s).
- 3 GE-Tetra PowerStrip DS White LED's. Part #GEWHDSPP8 (7100K) 6 LED's per module (3 LED's per side) on GE-Tetra Mounting Rails. Part #GEDSRLL8. Rails on 10" centers. 42 total modules.
- 4 GE-Tetra Power Supplies. Part #GEP524-180U 24 Volt 90-305VAC 50/60 HZ Load capacity: 28 modules per power supply. Total of two (2) per display.
- 5 Fabricated aluminum internal power supply wireway.



- 1 Cabinet are formed out of lexan with 2" draw. "O'Reilly" graphics are double embossed. "Auto parts" copy is single embossed with painted graphics on 2nd surface. Graphics to match PMS 2005-405, PMS 342c Green Black and White.
- 2 Extruded cabinet with 2 1/4" retainers. Internal steel pipe with external steel bolt-up plate(s).
- 3 GE (GEWHDSPP8) White DS LED illumination. Paint cabinet to: Gloss Black. Internal pipe/cabinet exposure calculation: C80
- 4 Cabinet to be installed with bolt-up plate(s). Paint to: Gloss Black

NOTE:
 VERIFY LOCATION PRIOR TO POURING TO
 ASSURE NO INTERFERENCE WITH ALL UTILITIES

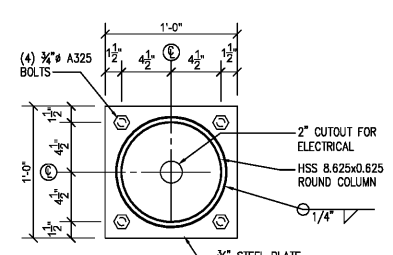
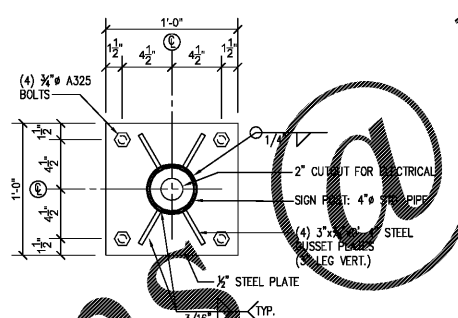


5 SIGN POLE FOUNDATION
 SG1.2 SCALE: 3/4" = 1'-0"

1 COMING SOON TEMPORARY CONSTRUCTION SIGN
 SG1.2 SCALE: 1/4" = 1'-0"

2 GROUND SIGN ELEVATION
 SG1.2 SCALE: 1/4" = 1'-0" (SEE SITE PLAN FOR LOCATION)

3 SIGN MATCH PLATE
 SG1.2 SCALE: 1 1/2" = 1'-0"



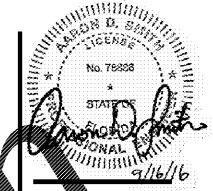
4 POLE CAP PLATE
 SG1.2 SCALE: 1 1/2" = 1'-0"

GENERAL NOTES

- A REFER TO PROJECT MANUAL FOR ADDITIONAL REQUIREMENTS.
- B CONTACT OWNER'S OR TENANT'S DESIGNATED PROJECT ADMINISTRATOR FOR QUESTIONS OR CLARIFICATIONS.
- C PERMANENT SIGNAGE OWNER FURNISHED AND INSTALLED. REFER TO SCOPE OF WORK SCHEDULE. SIGNAGE GRAPHICS PROVIDED FOR REFERENCE ONLY (N.I.C.) AND CONTRACTOR'S COORDINATION WITH SPECIFIC PROJECT CONSTRUCTION CONDITIONS.
- D SITE SIGN FOUNDATIONS AND ROUGH-IN ELECTRICAL TO BE PROVIDED BY CONTRACTOR.
- E REQUIRED GOVERNMENTAL PERMITS FOR PERMANENT TYPE SIGNAGE TO BE PROVIDED BY OWNER OR OTHERS (N.I.C.).
- F "COMING SOON" TEMPORARY CONSTRUCTION SIGNAGE TO BE PROVIDED BY CONTRACTOR. APPLIED SIGNAGE GRAPHICS TO BE OWNER FURNISHED AND CONTRACTOR INSTALLED. LOCATE TEMPORARY CONSTRUCTION SIGN ON SITE SO AS TO BE VISIBLE TO TRAFFIC FROM RIGHT-OF-WAY.

SITE SIGN SCHEDULE

TEMPORARY CONSTRUCTION SIGN:	
TYPE:	COMING SOON
DETAIL:	REFER TO 1/SG1.2
SITE SIGN:	
TYPE:	POLE (4'H X 12'W X 18' H)
DETAIL:	REFER TO 2/SG1.2



CRAIG A. SCHNEIDER, AIA
 ARCHITECT
 1736 East Sunnibine, Suite 417
 Springfield, Missouri 65804
 Phone: 417.862.3265
 Fax: 417.862.3265
 e-mail: architect@estertyschneider.com

PROJECT:
 O'REILLY AUTO PARTS STORE
 EAST MAIN STREET
 FREEPORT, FL
EXTERIOR SIGNAGE DETAILS

O'Reilly AUTO PARTS
 CORPORATE OFFICES
 235 SOUTH PATTERSON
 SPRINGFIELD, MISSOURI 65802
 (417) 862-2674 TELEPHONE

COMM #	3924
DATE:	9-16-16
REVISION	
DATE:	

JS Smith Consulting Engineers, P.C.
 Florida State Certificate of Authorization No. 26287
 Aaron D. Smith P.E. 78888 Jeffrey S. Smith P.E. 34027
 P.O. Box 8102 * JOPLIN, MISSOURI 64802
 PHONE: 417-624-0444 * FAX: 417-624-0430