

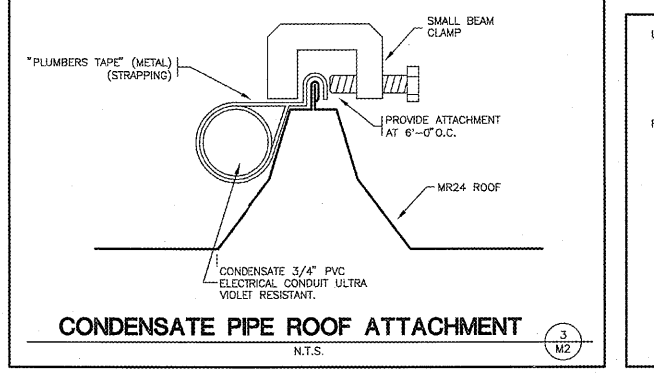
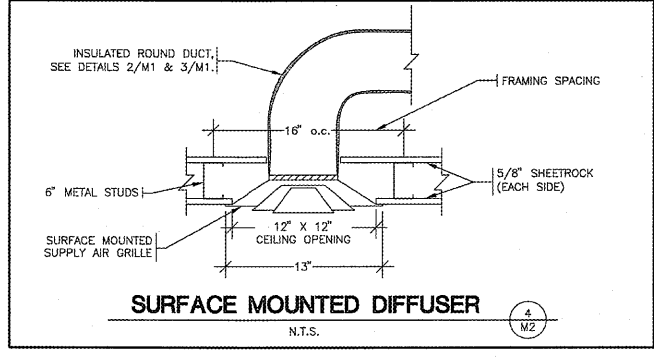
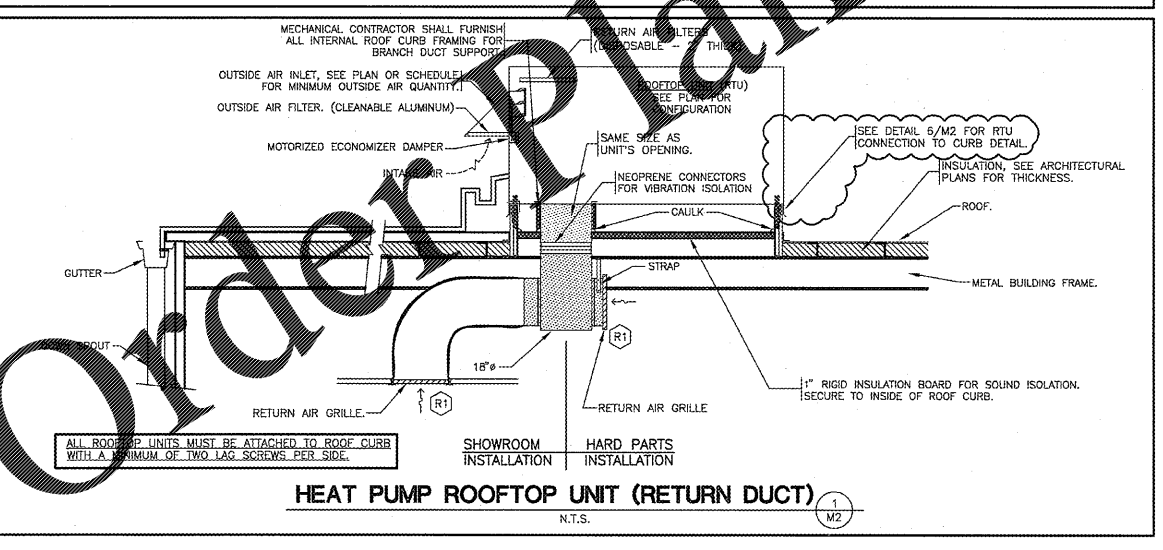
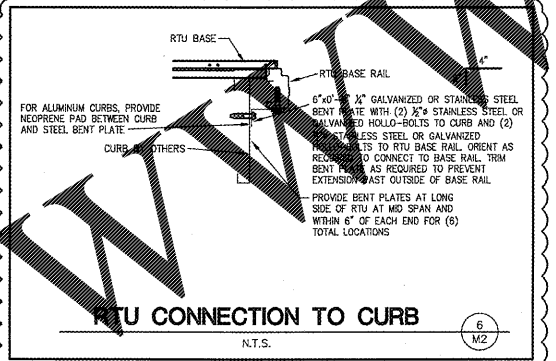
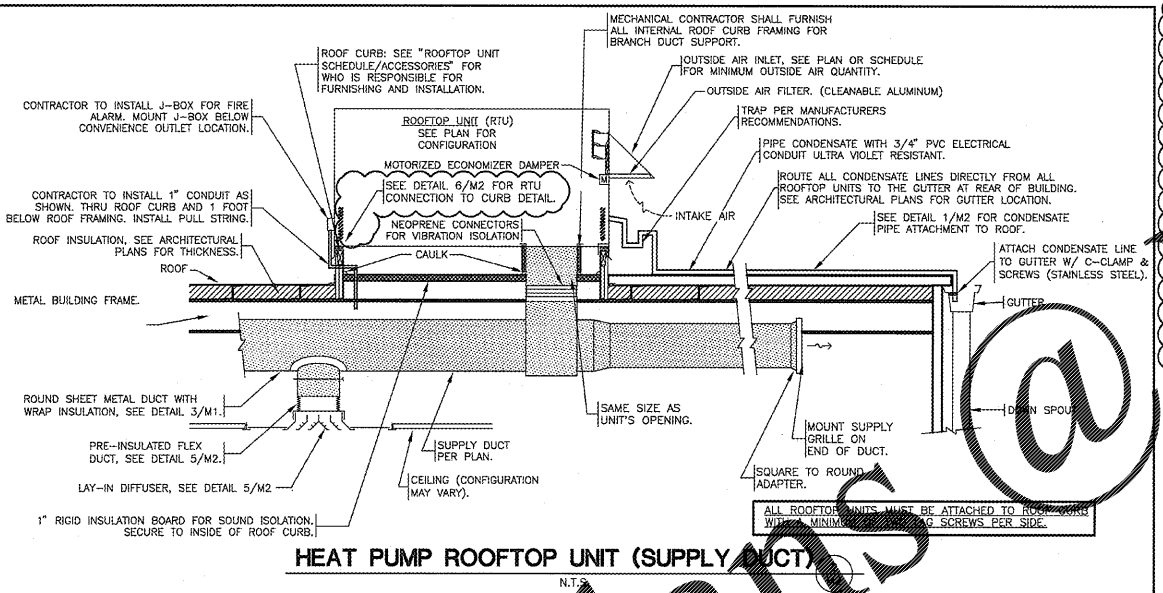
RECEIVED  
AUG 21 2017  
1122 SPRINGFIELD BLVD #117  
SPRINGFIELD, MISSOURI 65804

**NATIONAL ACCOUNT ROOFTOP UNIT SCHEDULE - 7.5 TON - HEAT PUMP (3-PHASE)**

RTU - RESPONSIBILITIES												CALL THE CARRIER CUSTOMER SERVICE REP. BELOW FOR CONFIRMATION OF ORDERS. DO NOT CALL CARRIER FOR QUOTES!											
1.) ALL CARRIER HVAC UNITS WITH ACCESSORIES ARE OWNER SUPPLIED BY O'REILLY AUTOMOTIVE. 2.) MECHANICAL CONTRACTOR IS RESPONSIBLE FOR THE INSTALLATION OF ALL CARRIER HVAC UNITS. 3.) MECHANICAL CONTRACTOR IS RESPONSIBLE FOR THE FIRST YEAR LABOR WARRANTY ON ALL OWNER SUPPLIED EQUIPMENT. 4.) MECHANICAL CONTRACTORS WORKING ON O'REILLY PROJECTS MUST CALL "CARRIER CORPORATION'S NATIONAL ACCOUNTS" DEPARTMENT FOR CONFIRMATION OF ORDERS ONLY! 5.) MECHANICAL CONTRACTOR IS RESPONSIBLE FOR SCHEDULING, SHIPPING & RECEIVING OF ALL CARRIER UNITS FROM CARRIER NATIONAL ACCOUNTS. CONTACT CUSTOMER SERVICE REP LISTED TO THE RIGHT.												CARRIER CORPORATION, NATIONAL ACCOUNTS 29 INDUSTRIAL PARK DR. BINGHAMTON, NY 13904 CUSTOMER SERVICE REPS: SARA TILTON 866-369-4658 EXT. 3429 sara.tilton@carrier.utc.com ACCOUNT MANAGER: PAUL WITZ 315-317-2481 paul.witz@carrier.utc.com											
MARK	DESCRIPTION	MFR.	CATALOG NUMBER	HTG. MBH IN	HTG. MBH OUT	CLG. MBH TOT./SENS.	STAGE 1 TOT./SENS.	STAGE 2 TOT./SENS.	TIL. COOL TOT./SENS.	IEER	EER	COP	CFM	O.A.	ESP	HP	ELECTRICAL MCA	MOCP	WT. (lbs.)	ACCESSORIES	REMARKS	REF. DTL.	
RTU-2	WEATHERMASTER PACKAGED ROOFTOP UNIT 7.5-TON	CARRIER	50HCQ08B205-5A1D0	18.6 KW	63.48	208V	46/34.5	46/34.5	92/69	12.80	12.10	3.50	3000	0.6	1.50	102.3	110*	1172	SD,MB,HG,VS,EC,UPO,TBE,SS,AF,DS,CO2,EH,SPW,TS,RS,RC1,CC	△△△	1/2 2/2 6/2		
<b>ACCESSORIES - FACTORY SUPPLIED AND INSTALLED</b> SD - RETURN AIR SMOKE DETECTOR. MB - MEDIUM STATIC BLOWER, (SINGLE SPEED). HG - LOUVERED HAIL GUARDS. UPO - UN-POWERED CONVENIENCE OUTLET (FIELD POWERED), 15AMP, 120V, GROUND FAULT CIRCUIT INTERRUPTER (GFCI) TYPE. TBE - THRU-THE-BOTTOM-ELECTRIC SERVICE. (SEE ROOF TOP UNIT DETAILS) SS - HI & LOW REFRIGERANT SAFETY SWITCHES. (STANDARD ON EVERY UNIT) AF - 2" RETURN AIR FILTERS. (STANDARD ON EVERY UNIT) VS - VENSTAR SURVEYOR. (ECP & SENSORS) CC - COIL COATING (E-COATED CONDENSER AND EVAPORATOR COILS) REQUIRED WHEN WITHIN 5 MILES OF OCEAN.												<b>ACCESSORIES - FACTORY SUPPLIED &amp; FIELD INSTALLED</b> EH - ELECTRIC RESISTANCE HEATER KIT. (SEE ABOVE FOR SIZE) SPW - SINGLE POINT WIRING KIT. FOR ELECTRIC HEATER. CO2 - CO2 SENSOR. WALL MOUNT. #33ZCSP02LCD-01 EC - CO2/SPACE TEMPERATURE SENSOR WITH LCD DISPLAY & NO OVERRIDE. EC - ENTHALPY ECONOMIZER. W/ BAROMETRIC RELIEF.											
<b>ACCESSORIES - FIELD SUPPLIED &amp; FIELD INSTALLED</b> RC1 - ROOF CURB. (14" HIGH) MICROMETL WIND RATED CURB. SEE DETAILS 2/M3. ROOF CURB IS BY MECHANICAL CONTRACTOR. WEIGHT OF ROOF CURB IS NOT INCLUDED IN THE WEIGHT ABOVE.												<b>ACCESSORIES - O'REILLY SUPPLIED &amp; FIELD INSTALLED</b> TS1 - VENSTAR COMMUNICATION THERMOSTAT. (NO SUBSTITUTIONS). REFER TO SHEET VS1. RS - VENSTAR REMOTE SENSOR. (NO SUBSTITUTIONS). REFER TO SHEET VS1. DS - NON-FUSED DISCONNECT SWITCH. (GRAYBAR/O'REILLY) SUPPLIED W/ ELECTRICAL BILL OF MATERIALS.											
<b>REMARKS</b> △ COOLING CAPACITY BASED ON 80°F EDB AND 67°F EWB. HEAT PUMP HEATING CAPACITY BASED ON 47° O.D. & 70° RETURN AIR. △ CAPACITY BASED ON 95°F AMBIENT TEMPERATURE. △ NOTE HVAC COMPLETION. AT CONSTRUCTION COMPLETION: 1. CONTRACTOR SHALL REPLACE ALL RETURN AIR FILTERS INSIDE ALL HVAC UNITS W/CLEAN NEW AIR FILTERS. 2. CONTRACTOR SHALL SUPPLY AN ADDITIONAL CLEAN SET OF FILTERS TO THE OWNER AT JOB COMPLETION. 3. CONTRACTOR SHALL SHOW THE STORE MANAGER THE LOCATION OF & INSTRUCT HIM/HER HOW TO CHANGE ALL AIR FILTERS.												△ FACTORY EQUIPPED WITH STANDARD LOW AMBIENT COOLING TO 30°F ODB. △ OUTSIDE AIR, SEE PLAN FOR UNIT(S) REQUIRING OUTSIDE AIR. △ REFRIGERANT = R410A (PURON). △ MAXIMUM CIRCUIT BREAKER OR TIME-DELAY FUSE.											

**NATIONAL ACCOUNT ROOFTOP UNIT SCHEDULE - 5 TON - HEAT PUMP (3-PHASE)**

RTU - RESPONSIBILITIES												CALL THE CARRIER CUSTOMER SERVICE REP. BELOW FOR CONFIRMATION OF ORDERS. DO NOT CALL CARRIER FOR QUOTES!											
1.) ALL CARRIER HVAC UNITS WITH ACCESSORIES ARE OWNER SUPPLIED BY O'REILLY AUTOMOTIVE. 2.) MECHANICAL CONTRACTOR IS RESPONSIBLE FOR THE INSTALLATION OF ALL CARRIER HVAC UNITS. 3.) MECHANICAL CONTRACTOR IS RESPONSIBLE FOR THE FIRST YEAR LABOR WARRANTY ON ALL OWNER SUPPLIED EQUIPMENT. 4.) MECHANICAL CONTRACTORS WORKING ON O'REILLY PROJECTS MUST CALL "CARRIER CORPORATION'S NATIONAL ACCOUNTS" DEPARTMENT FOR CONFIRMATION OF ORDERS ONLY! 5.) MECHANICAL CONTRACTOR IS RESPONSIBLE FOR SCHEDULING, SHIPPING & RECEIVING OF ALL CARRIER UNITS FROM CARRIER NATIONAL ACCOUNTS. CONTACT CUSTOMER SERVICE REP LISTED TO THE RIGHT.												CARRIER CORPORATION, NATIONAL ACCOUNTS 29 INDUSTRIAL PARK DR. BINGHAMTON, NY 13904 CUSTOMER SERVICE REPS: SARA TILTON 866-369-4658 EXT. 3429 sara.tilton@carrier.utc.com ACCOUNT MANAGER: PAUL WITZ 315-317-2481 paul.witz@carrier.utc.com											
MARK	DESCRIPTION	MFR.	CATALOG NUMBER	HTG. MBH IN	HTG. MBH OUT	CLG. MBH TOT./SENS.	STAGE 1 TOT./SENS.	STAGE 2 TOT./SENS.	TIL. COOL TOT./SENS.	IEER	EER	HSFP	CFM	O.A.	ESP	HP	ELECTRICAL MCA	MOCP	WT. (lbs.)	ACCESSORIES	REMARKS	REF. DTL.	
RTU-1	WEATHERMASTER PACKAGED ROOFTOP UNIT 5-TON	CARRIER	50HCQ06B205-5A1D0	12.0 KW	40.96	208V	61.5	47.3	15.00	12.50	8.20	2000	0.6	1.0	70.4	80*	750	SD,MB,HG,VS,EC,UPO,TBE,SS,AF,DS,CO2,EH,SPW,TS,RS,RC1,CC	△△△	1/2 2/2 6/2			
<b>ACCESSORIES - FACTORY SUPPLIED AND INSTALLED</b> SD - RETURN AIR SMOKE DETECTOR. MB - MEDIUM STATIC BLOWER, (SINGLE SPEED). HG - LOUVERED HAIL GUARDS. UPO - UN-POWERED CONVENIENCE OUTLET (FIELD POWERED), 15AMP, 120V, GROUND FAULT CIRCUIT INTERRUPTER (GFCI) TYPE. TBE - THRU-THE-BOTTOM-ELECTRIC SERVICE. (SEE ROOF TOP UNIT DETAILS) SS - HI & LOW REFRIGERANT SAFETY SWITCHES. (STANDARD ON EVERY UNIT) AF - 2" RETURN AIR FILTERS. (STANDARD ON EVERY UNIT) VS - VENSTAR SURVEYOR. (ECP & SENSORS) CC - COIL COATING (E-COATED CONDENSER AND EVAPORATOR COILS) REQUIRED WHEN WITHIN 5 MILES OF OCEAN.												<b>ACCESSORIES - FACTORY SUPPLIED &amp; FIELD INSTALLED</b> EH - ELECTRIC RESISTANCE HEATER KIT. (SEE ABOVE FOR SIZE) SPW - SINGLE POINT WIRING KIT. FOR ELECTRIC HEATER. CO2 - CO2 SENSOR. WALL MOUNT. #33ZCSP02LCD-01 EC - CO2/SPACE TEMPERATURE SENSOR WITH LCD DISPLAY & NO OVERRIDE. EC - ENTHALPY ECONOMIZER. W/ BAROMETRIC RELIEF.											
<b>ACCESSORIES - FIELD SUPPLIED &amp; FIELD INSTALLED</b> RC1 - ROOF CURB. (14" HIGH) MICROMETL WIND RATED CURB. SEE DETAILS 2/M3. ROOF CURB IS BY MECHANICAL CONTRACTOR. WEIGHT OF ROOF CURB IS NOT INCLUDED IN THE WEIGHT ABOVE.												<b>ACCESSORIES - O'REILLY SUPPLIED &amp; FIELD INSTALLED</b> TS1 - VENSTAR COMMUNICATION THERMOSTAT. (NO SUBSTITUTIONS). REFER TO SHEET VS1. RS - VENSTAR REMOTE SENSOR. (NO SUBSTITUTIONS). REFER TO SHEET VS1. DS - NON-FUSED DISCONNECT SWITCH. (GRAYBAR/O'REILLY) SUPPLIED W/ ELECTRICAL BILL OF MATERIALS.											
<b>REMARKS</b> △ COOLING CAPACITY BASED ON 80°F EDB AND 67°F EWB. HEAT PUMP HEATING CAPACITY BASED ON 47° O.D. & 70° RETURN AIR. △ CAPACITY BASED ON 95°F AMBIENT TEMPERATURE. △ NOTE HVAC COMPLETION. AT CONSTRUCTION COMPLETION: 1. CONTRACTOR SHALL REPLACE ALL RETURN AIR FILTERS INSIDE ALL HVAC UNITS W/CLEAN NEW AIR FILTERS. 2. CONTRACTOR SHALL SUPPLY AN ADDITIONAL CLEAN SET OF FILTERS TO THE OWNER AT JOB COMPLETION. 3. CONTRACTOR SHALL SHOW THE STORE MANAGER THE LOCATION OF & INSTRUCT HIM/HER HOW TO CHANGE ALL AIR FILTERS.												△ FACTORY EQUIPPED WITH STANDARD LOW AMBIENT COOLING TO 30°F ODB. △ OUTSIDE AIR, SEE PLAN FOR UNIT(S) REQUIRING OUTSIDE AIR. △ REFRIGERANT = R410A (PURON). △ MAXIMUM CIRCUIT BREAKER OR TIME-DELAY FUSE.											



**FAN SCHEDULE**

MARK	DESCRIPTION	MFR.	CATALOG NUMBER	CFM (NOM)	STATIC PRESS.	MOTOR H.P.	V/PH	ELECTRICAL MCA	MOCP	ACCESSORIES	REMARKS	REF. DETAIL
EE-1	INLINE EXHAUST FAN	COOK	GN-640	500	0.1	350W	120/1	-	-	BD,DS,WC	△△	-
EE-2	INLINE EXHAUST FAN	COOK	GN-640	500	0.1	350W	120/1	-	-	BD,DS,WC,SS	△△	-
EE-3	INLINE EXHAUST FAN	COOK	GN-640	500	0.1	350W	120/1	-	-	BD,DS,WC,SS	△△	-

**ACCESSORIES**  
 BD - GRAVITY BACK DRAFT DAMPER  
 DS - DISCONNECT SWITCH  
 WC - WALL CAP, "COOK" #WCA-6, ALUMINUM  
 SS - FAN SPEED SWITCH "COOK" #FSC (OFFICE ONLY)

**APPROVED ALTERNATE MANUFACTURER'S**  
 FANS: \*GREENHECK \*CARNES

**REMARKS**  
 △ ADJUST FOR CFM REQUIRED.  
 △ EXHAUST FAN SHALL BE WIRED BY THE ELECTRICAL CONTRACTOR TO OPERATE WITH EITHER RESTROOMS LIGHT SWITCH.  
 △ EXHAUST FAN IN OFFICE TO BE CONTROLLED BY FAN SPEED SWITCH.

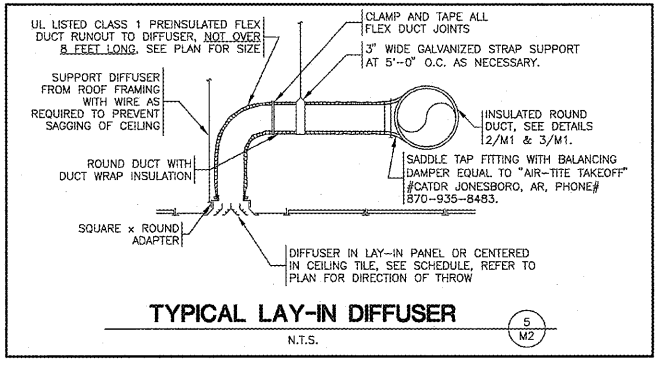
**GRILLE AND DIFFUSER SCHEDULE**

MARK	DESCRIPTION	MFR.	CATALOG NUMBER	SIZE (In.)	FINISH	MOUNTING	BRANCH DUCT SIZE	ACCESSORIES	REMARKS	REF. DETAIL
(C)	SUPPLY GRILLE	ANEMOSTAT	S2HD	14x14	WHITE	DUCT	SEE PLAN	OB	△	-
(S)	SUPPLY DIFFUSER	ANEMOSTAT	E-1-D	12x12	WHITE	SURFACE	SEE PLAN	DT	△△	4/M2
(S)	SUPPLY DIFFUSER	ANEMOSTAT	EPL	24x24	WHITE	DUCT/LAY-IN	SEE PLAN	-	△△	5/M2
(R)	RETURN GRILLE	ANEMOSTAT	GC5	24x24	WHITE	LAY-IN/EXPOSED	SEE PLAN	-	NON-FILTERED GRILLE	5/M2
(R)	RETURN GRILLE	ANEMOSTAT	GC5	12x12	WHITE	SURFACE	SEE PLAN	-	NON-FILTERED GRILLE	4/M2
(X)	EXHAUST GRILLE	ANEMOSTAT	S3HS	12x12	WHITE	CEILING	SEE PLAN	OB	-	-

**ACCESSORIES**  
 OB - OPPOSED BLADE DAMPER  
 DT - DIRECTIONAL TABS.

**APPROVED ALTERNATE MANUFACTURER'S**  
 GRILLES, DIFFUSERS & DAMPERS:  
 \*TITTLE & BAILEY \*NALOR \*ARROW \*CARNES  
 \*PRICE INDUSTRIES \*TITUS \*KRUEGER

**REMARKS**  
 △ 1-WAY  
 △ 4-WAY  
 △ DIRECTIONAL TABS, ADJUST TO PROVIDE THROW AS INDICATED ON PLANS.



**CONTRACTOR**

**CRAIG A. SCHNIDER, AIA**  
 ARCHITECT

1736 East Sunshine, Suite 417  
 Springfield, Missouri 65804  
 417.862.6558  
 Fax: 417.862.3265  
 e-mail: architect@estefyschneider.com

**PROJECT:**  
 NEW O'REILLY AUTO PARTS STORE  
 EAST MAIN STREET  
 FREEPORT, FL  
**HVAC DETAILS**

**O'Reilly AUTO PARTS**

CORPORATE OFFICES  
 233 SOUTH PATTERSON  
 SPRINGFIELD, MISSOURI 65802  
 (417) 862-2674 TELEPHONE

COMM # 3924  
 DATE: 4-11-17  
 REVISION DATE: 8-21-17

M2 of 2