

RECEIVED
APR 21 2017
1736 EAST SUNSHINE ST. SUITE 417
SPRINGFIELD, MO

PLUMBING FIXTURE SCHEDULE / SPEC. 22 00 00 & 22 40 00 / ALL FIXTURES & FITTINGS MUST BE "LEAD FREE"

MARK	DESCRIPTION	MANUFACTURER	CATALOG NUMBER	ACCESSORIES	PIPING REQUIREMENTS			REMARKS	APPROVED MANUFACTURER'S	CODE APPROVALS
					WASTE	VENT	SUPPLY			
H.W.C.	HANDICAP ACCESSIBLE WATER CLOSET (TANK TYPE)	AMERICAN STANDARD	CADET RIGHT HEIGHT BOWL RIM @ 16-1/2" H PRESSURE-ASSISTED TOILET 2467.016	CHURCH 9500CT WHITE OPEN FRONT SEAT COMPLETE W/BOLT CAPS	4"	2"	1/2"	LOW-CONSUMPTION 1.6 GPF MAX. MEETS ADA GUIDELINES	ZURN, ELJER	ANSI A117.1, ADA COMPLIANT
LAV.	HANDICAP ACCESSIBLE LAVATORY (WALL MOUNTED)	AMERICAN STANDARD	LUCERNE 0355.012 4" CENTERS	ZURN #Z8737 FLAT GRID SINKSTRAINER, DELTA #501-DST CLASSIC CENTERSET FAUCET, JAY R. SMITH #0700-M31 FLOOR MOUNTED LAVATORY SUPPORTS IN WALL	2"	1-1/2"	3/4"	SEE NOTE 2. 1.5 GPM MAX.	ZURN, ELJER WADE	ANS A117.1 ASME A112.18.1, ASME A112.18.2, ADA COMPLIANT
M.V.	THERMOSTATIC MIXING VALVE	WATTS	#LFMVM-US-M1 1/2"	THERMOSTATIC MIXING VALVE	-	-	1/2"	SEE DETAIL 3/P2 & NOTE #4. 110°F MAX. WATER TEMP.	WILKINS, POWERS	ASSE 1070, IAPMO, ADA COMPLIANT, CUPC, NSF/ANSI 61
H.D.F.	BARRIER-FREE TWO STATION HI-LO DRINKING FOUNTAIN	ELKAY	EZSTL8LC	ACCESSORY APRON #JKAPREZL	2"	1-1/2"	1/2"	UPPER HEIGHT 40" A.F.F. LOWER HEIGHT 33" A.F.F.	HALSEY TAYLOR	ADA COMPLIANT
F.D.	FLOOR DRAIN	ZURN	ZN415-B-P	1/2" TRAP PRIMER CONNECTION	2"	1-1/2"	-	COMBINATION WASTE VENT	WADE & JAY R. SMITH	ASSE 1019-B
C.O.	CLEANOUT (INTERIOR)	JAY R. SMITH	4100	W/CARPET CLAMPING RING WHERE REQUIRED	SEE PLAN	-	-	SAME SIZE AS LINE	WADE & ZURN	-
C.O.1	CLEANOUT (EXTERIOR)	JAY R. SMITH	4250	-	SEE PLAN	-	-	SAME SIZE AS LINE. SEE DETAILS 1/P1 & 2/P2.	WADE & ZURN	-
W.H.A.	WATER HAMMER ARRESTER	SILOUX CHIEF	652-A	-	-	-	-	-	JAY R. SMITH, WADE, ZURN	-
H.B.	HOSE BIB	WOODFORD	MODEL 85	W/WALL CLAMP	-	-	3/4"	W/VACUUM BREAKER. OPERATING ROD ASSEMBLY MUST BE ORDERED PER WALL WIDTH.	-	-
M.B.	MOP BASIN	FIAT	FIAT MSB-2424	FIAT #832-AA HOSE & BRACKET, FIAT #889-CC-24" MOP HANGER, ZURN #Z842M4-WHK-SH SERVICE FAUCET	3"	1-1/2"	3/4"	W/VACUUM BREAKER ON FAUCET. ALSO ADD HOSE CONNECTION VACUUM BREAKER (WATTS #B) ON FAUCET'S SPOUT	HAWS & ZURN	-
E.W.	EYE WASH	SPEAKMAN	SEF-9200	SPEAKMAN THERMOSTATIC MIXING VALVE (SEF-TW)	-	-	3/4"	SET MIXING VALVE TO DELIVER 80degF. NOTE: TEPID WATER RANGE IS 60-100degF.	HAWS	ASME A112.18.1-2000, CSA B125-98, ANSI Z358-1, INTEGRAL VACUUM BREAKER, ASSE 1011
URN.	URINAL (WALL MOUNTED)	ZURN	Z5755-U OMNI-FLO	SLOAN ROYAL #186-1 FLUSH VALVE, JAY R. SMITH SERIES #600 FLOOR MOUNTED URINAL SUPPORT	2"	1-1/2"	3/4"	1.0 GPF	KOHLER, ELJER & CRANE	ASME A1212.19.2, ANSI A117.1, ADA COMPLIANT

NOTES:
 1. COORDINATE ROUGH-IN OF ALL PLUMBING FIXTURES W/ARCHITECTURAL DRAWINGS.
 2. SINKS & LAVATORIES FOR HANDICAPPED ACCESS SHALL BE INSTALLED W/OFFSET TAILPIECES. ALL SINK & LAVATORY DRAIN & WATER LINES SHALL BE INSULATED W/PROTECTIVE DEVICES EQUAL TO "MCGUIRE" #PW 2150 WC, WHITE MOLDED CLOSED CELL VINYL, OR "TRUBRO" #103W, WHITE MOLDED VINYL.
 3. FOR HANDICAPPED-ACCESSIBLE WATER CLOSET, FURNISH & INSTALL W/THE FLUSH HANDLE ON THE WIDE SIDE OF THE RESTROOM.
 4. ALL LAVATORIES SHALL BE INSTALLED WITH A THERMOSTATIC MIXING VALVE.

OWNER SUPPLIED, CONTRACTOR INSTALLED										
W.H.	WATER HEATER (ELECTRIC)	A.O. SMITH	EJCS-20	(19 GALLONS) 120V 1.65 KW ELEMENT WITH T & P RELIEF VALVE	-	-	3/4"	PIPE DRAIN LINE FROM P & T RELIEF VALVE DOWN IN SHELF PAN. SEE DETAIL 5/P2 & 6/P2	NO SUBSTITUTIONS	CSA, ASME RATED, NAECA
SHELF	WATER HEATER SHELF	HOLDRITE QUICK STAND	#40-SWHF-WM	SUPPORTS WATER HEATERS UP TO 20 GALLON OR 300 LBS	-	-	-	PIPE DRAIN LINE FROM SHELF PAN SEE DETAIL 5/P2 & 6/P2	NO SUBSTITUTIONS	-
T.E.A.	THERMAL EXPANSION ABSORBER	AMTROL	ST-12	-	-	-	-	-	NO SUBSTITUTIONS	-

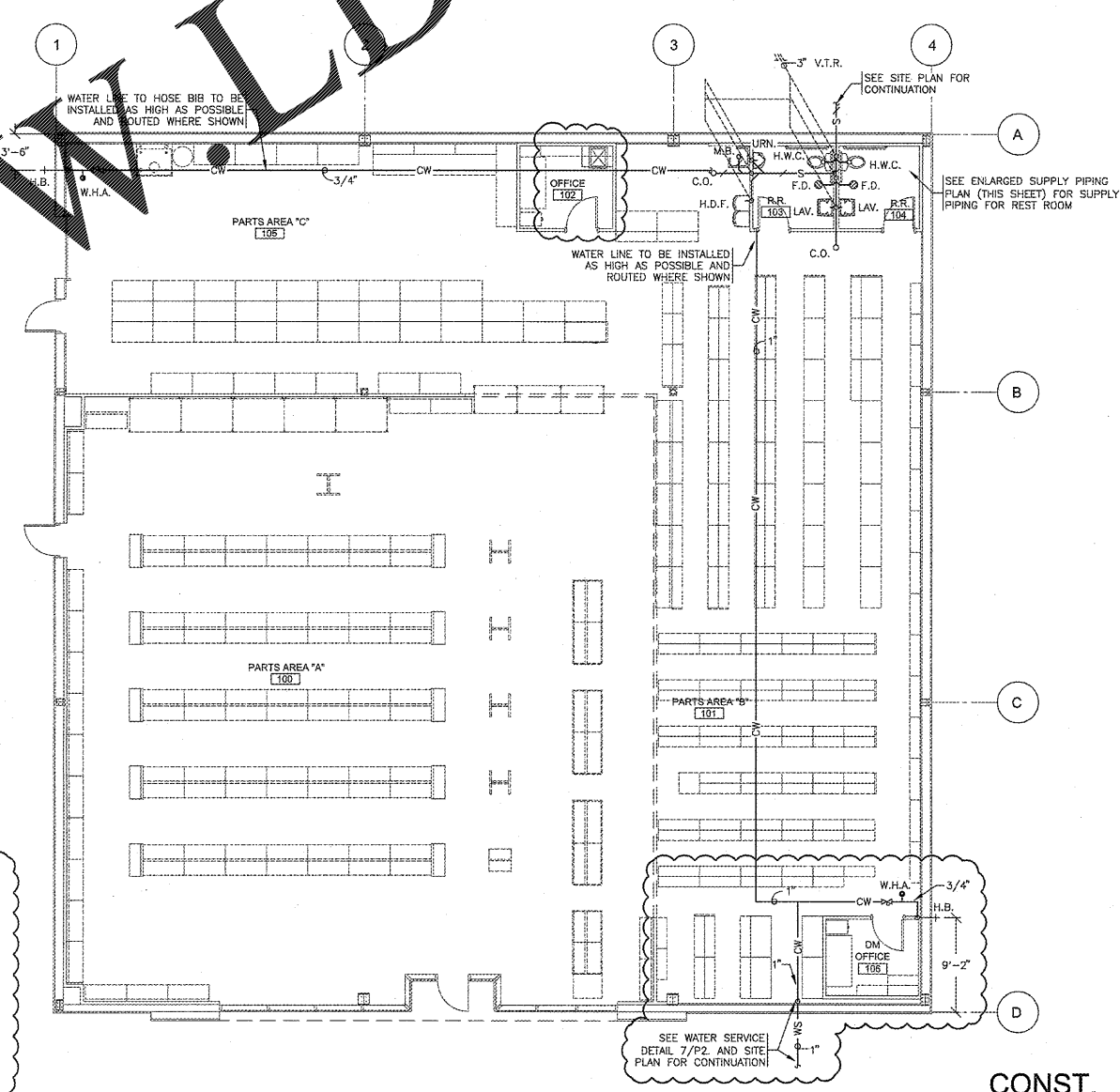
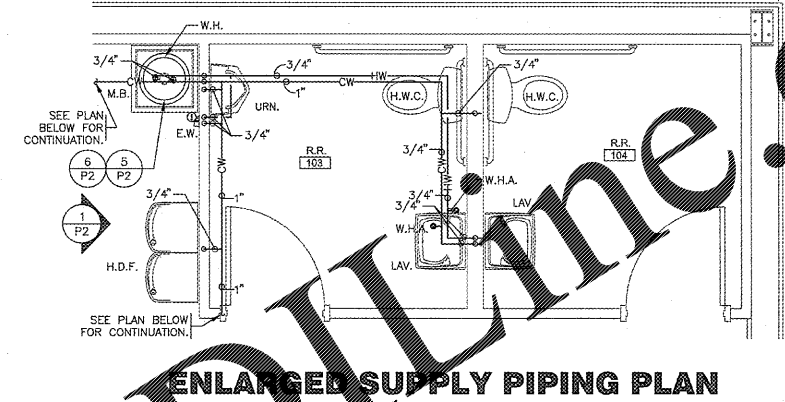
NOTE: WATER HEATER, SHELF AND T.E.A. SHALL BE DIRECT ORDERED AND OR RELEASED FROM THE LISTED ELECTRICAL EQUIPMENT DISTRIBUTOR:

GRAYBAR ELECTRIC CO. INC.
11895 LACKLAND ROAD
ST. LOUIS, MO 63146

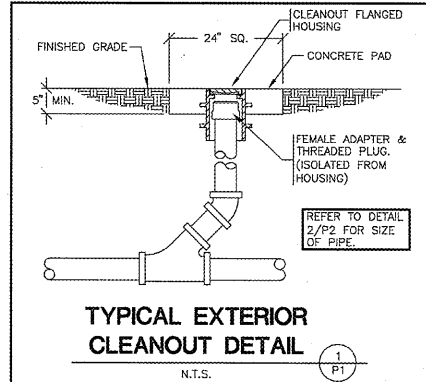
ATTN: SANDY YOUNG - DIRECT LINE: (314) 573-2082 OR KATHY SCHRUMP - DIRECT LINE: (314) 573-2624
sandra.young@graybar.com or Kathy.Schrump@graybar.com
TOLL FREE: (800) 451-5254
TOLL FREE FAX: (888) 251-1128

NOTE:
NO NATURAL GAS THIS STORE.

NOTE:
SEE THE APPLICABLE PLUMBING CODE FOR MINIMUM WASTE PIPING SLOPE.



- PLUMBING NOTES**
- DRAWING IS DIAGRAMMATIC & IS NOT TO BE SCALED. REFER TO ARCHITECTURAL PLANS FOR DIMENSIONS.
 - ALL PLUMBING WORK IS TO BE DONE IN ACCORDANCE WITH THE APPLICABLE CODE(S) NOTED ON THE COVER SHEET.
 - PIPING MATERIAL SHALL BE AS FOLLOWS:
 UNDERGROUND WATER SERVICE - (SPEC 22 00 00)
 ABOVE GROUND HOT & COLD WATER PIPING - (SPEC 22 00 00)
 DRAIN, WASTE & VENT PIPING - (SPEC 22 00 00) - AS REQUIRED BY THE LOCAL JURISDICTION.
 - VALVES ON WATER LINES SHALL BE BRONZE BALL VALVES. DO NOT SUBSTITUTE GATE OR GLOBE VALVES. VALVES SHALL BE THE SAME SIZE AS THE INLET PIPING. (SPEC 22 00 00)
 - ALL PLUMBING FIXTURES ARE TO BE FINISHED COMPLETE WITH NECESSARY STOPS, TRAPS, TAILPIECES, TRIM, ETC. (SPEC 22 40 00)
 - THE CONTRACTOR SHALL COOPERATE WITH ALL OTHER CONTRACTORS & SUBCONTRACTORS IN LAYING HIS OUT & INSTALLING HIS WORK. COOPERATION DOES NOT MEAN "I WAS HERE FIRST."
 - THE CONTRACTOR SHALL BE RESPONSIBLE FOR INSTALLING A COMPLETE & FUNCTIONAL SYSTEM IN ACCORDANCE WITH THE INTENT OF THE PLANS, WHETHER OR NOT EVERY ELEMENT THEREOF IS SPECIFICALLY CALLED OUT.
 - DO NOT INSTALL APPROPRIATE CHAMBERS AT FIXTURES. INSTALL WATER HAMMER ARRESTERS AS CALLED FOR ON PLAN. ARRESTERS ARE TO BE INSTALLED FOR CONCEALED LOCATIONS. (SPEC 22 00 00)
 - ALL HOT & COLD WATER SUPPLY PIPING CONNECTIONS TO FIXTURES ARE TO BE 1/2" UNLESS NOTED OTHERWISE.
 - PLUMBING PIPING SHALL NOT BE INSTALLED ABOVE ELECTRICAL PANELS. PROVIDE REQUIRED CLEARANCES PER "N.E.C." COORDINATE ELECTRICAL PANEL LOCATIONS W/ THE ELECTRICAL CONTRACTOR.
 - INSTALL PIPE INSULATION ON ALL PLUMBING WATER LINES ABOVE FINISH FLOOR. (SPEC 22 07 19). CONTRACTOR SHALL COORDINATE WITH ALL STATE & LOCAL BUILDING REGULATION AGENCIES & UTILITY COMPANIES IN THE PROCUREMENT OF & PAYMENT OF ALL PERMITS, LICENSES, FEES & CHARGES REQUIRED FOR THE PERFORMANCE OF THE WORK.
 - PROVIDE CHROME ESCUTCHEON COVERPLATES AT ALL PIPE PENETRATIONS OF FINISHED WALL SURFACES.
 - IT IS THE CONTRACTOR'S RESPONSIBILITY TO ROUTE ALL WATER PIPING AROUND SPACES W/ TEMPERATURES BELOW FREEZING (I.E. ATTICS, CHASES, EXTERIOR WALLS, ETC.). IF FREEZING OF ANY WATER PIPING OCCURS IT SHALL BE THE CONTRACTOR'S RESPONSIBILITY TO REPAIR THE PIPING THRU A NON-FREEZING SPACE TO THE FIXTURE/APPLIANCE ORIGINALLY SERVED BY THE FROZEN PIPING.
 - ALL CAULKING ON BUILDING PENETRATIONS SHALL BE A 1-COMPONENT NON-SAG URETHANE SEALANT. ANY CONTRACTOR WHO USED SILICONE OR ANY OTHER CAULKING WILL BE REQUIRED TO REMOVE & REPLACE WITH A SPECIFIED SEALANT (SPEC 07 92 00).
 - PLUMBING SUB-CONTRACTOR SHALL INFORM THE ELECTRICAL SUB-CONTRACTOR OF THE VOLTAGE & POWER REQUIREMENTS OF ALL PLUMBING EQUIPMENT TO BE INSTALLED.
 - ALL GAS PIPING INSTALLATIONS SHALL COMPLY WITH "NFPA-54" NATURAL GAS OR "NFPA-58" LP GAS (latest edition).
 - ALL WATER HEATERS & HOT WATER STORAGE TANKS SHALL HAVE A DRAIN VALVE INSTALLED AT THE BOTTOM OF THE TANK AS REQUIRED BY CODE.



Order Plans

HA/CHE/0845/D/0848P1 21 Aug 2017 - 3:16 pm

Collins K. Collins, P.E. #02605
 1736 East Sunshine, Suite 417
 Springfield, Missouri 65802
 Phone: 417.862.2674
 Fax: 417.862.2674
 Email: architect@estheticschneider.com

CRAIG A. SCHNIDER, AIA
 ARCHITECT
 1736 East Sunshine, Suite 417
 Springfield, Missouri 65802
 417.862.2674
 Fax: 417.862.2674
 e-mail: architect@estheticschneider.com

PROJECT:
 NEW O'REILLY AUTO PARTS STORE
 EAST MAIN STREET
 FREEPORT, FL
PLUMBING PLAN

O'Reilly AUTO PARTS
 CORPORATE OFFICES
 535 SOUTH LINDEN
 FREEPORT, FL 32439
 (417) 862-2674 TELEPHONE

COMM # 3924
 DATE: 4-11-17
 REVISION DATE: 8-21-17