

**GENERAL NOTES**

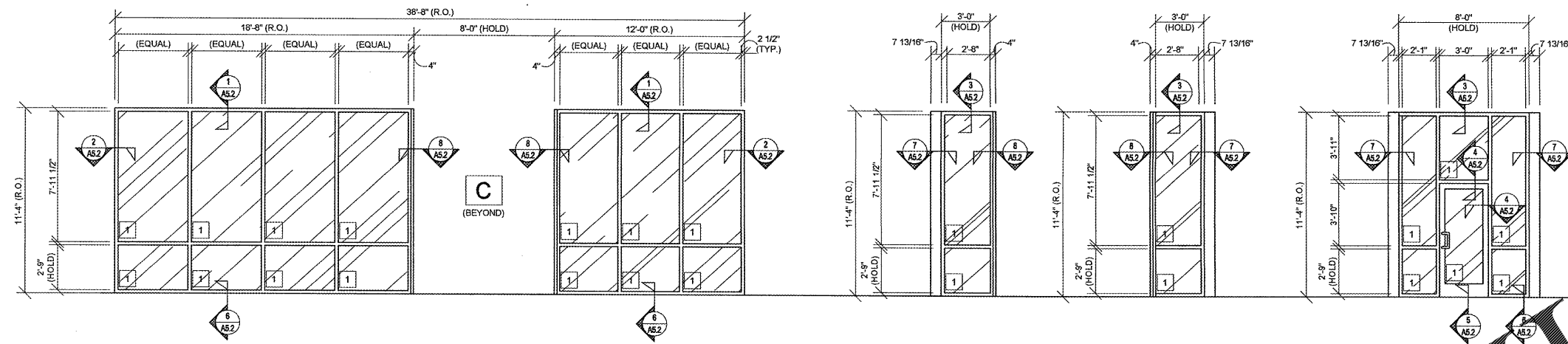
- (A) REFER TO PROJECT MANUAL FOR ADDITIONAL REQUIREMENTS.
  - (B) REFER TO BUILDING CODE SUMMARY FOR PROJECT STRUCTURAL DESIGN CRITERIA. WINDOW FRAMING AND ANCHORING SYSTEMS SHALL BE DESIGNED BY MANUFACTURER TO CONFORM TO PERFORMANCE AND TESTING REQUIREMENTS SPECIFIED.
  - (C) REFER TO FLOOR PLAN, ELEVATIONS, AND SECTIONS FOR ADDITIONAL REQUIREMENTS.
  - (D) WINDOW TYPE ELEVATIONS SHOWN VIEWED FROM EXTERIOR SIDE.
  - (E) REFER TO EXTERIOR FINISH SCHEDULE FOR ALUMINUM WINDOW FRAMING COLORS. PERIMETER SEALANT COLOR MATCH WINDOW FRAMING COLOR UNLESS OTHERWISE INDICATED.
  - (F) ALL DIMENSIONS TO ROUGH FACE OF FRAMING UNLESS OTHERWISE INDICATED. FIELD VERTICAL THROUGH OPENINGS PRIOR TO INSTALLATION.
  - (G) REFER TO DOOR AND HARDWARE SCHEDULES FOR ADDITIONAL REQUIREMENTS.
  - (H) SECURITY GLAZING MAY BE REQUIRED. CONTACT PROJECT ADMINISTRATOR FOR VERIFICATION (REFER TO SCOPE OF WORK SCHEDULE). PROVIDE ADDITIONAL SUPPORT FRAMING SYSTEM AS REQUIRED.
- WHEN WIND SPEED IS EQUAL TO OR GREATER THAN 120 MPH, A STORM PANEL SYSTEM SHALL BE OWNER FURNISHED AND INSTALLED. CONTACT PROJECT ADMINISTRATOR TO VERIFY AND COORDINATE WITH SYSTEM PROVIDED BY OTHERS. (REFER TO SCOPE OF WORK SCHEDULE). PROVIDE ADDITIONAL SUPPORT FRAMING SYSTEM AS REQUIRED.

- (J) CONTRACTOR'S OPTION TO DIRECT ORDER AND PURCHASE WINDOW FRAMING SYSTEM AND GLAZING FROM THE FOLLOWING SUPPLIER (REFER TO SCOPE OF WORK SCHEDULE):

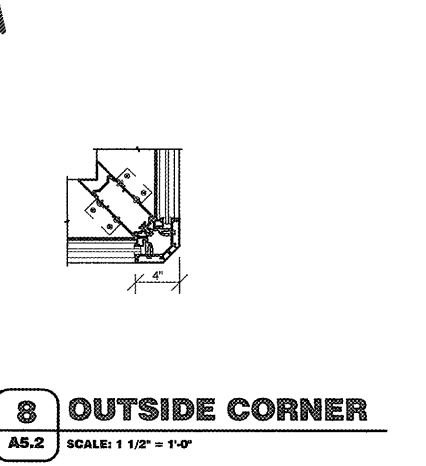
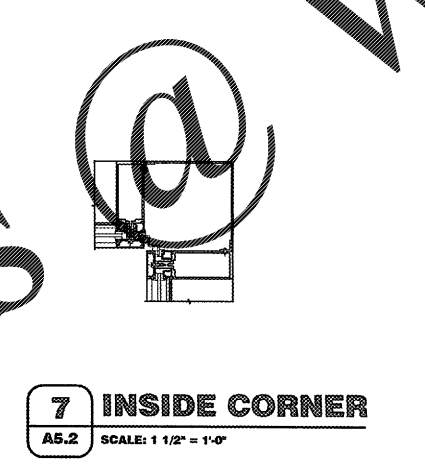
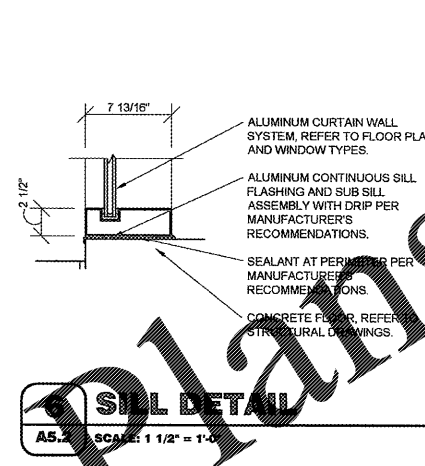
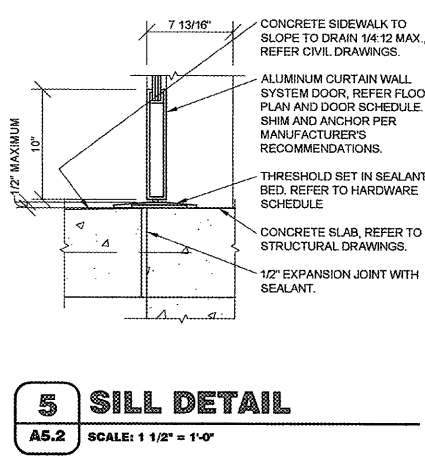
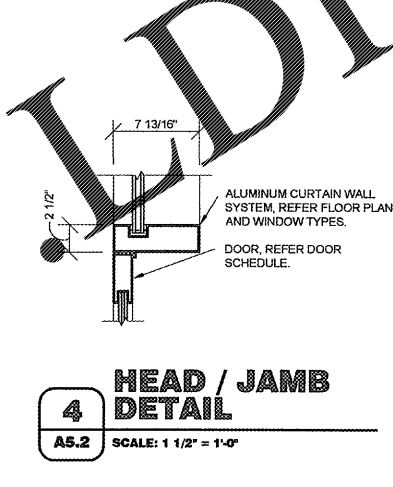
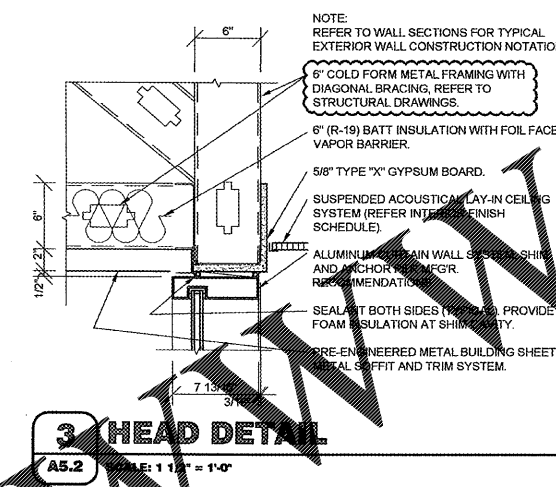
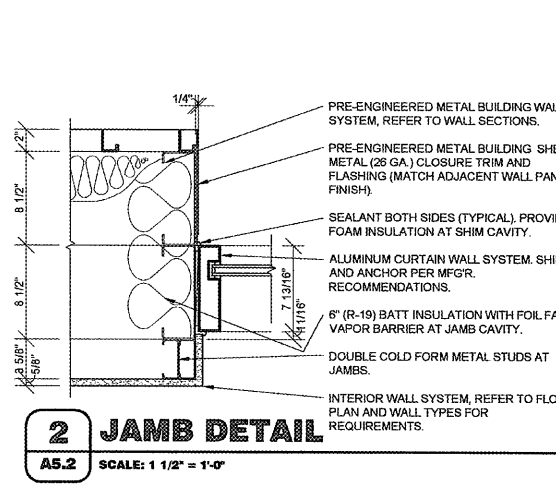
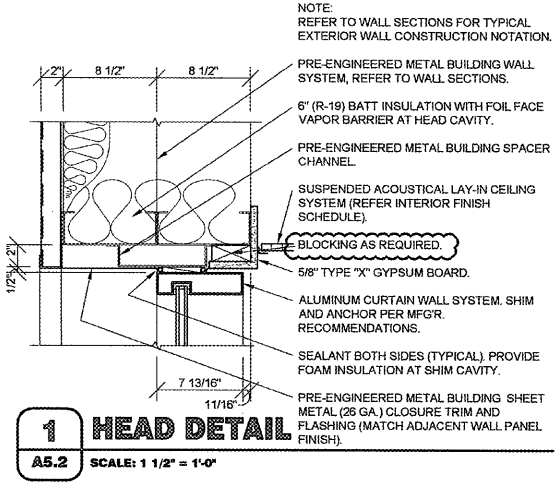
**COULTER & COMPANY**  
 13711 E. 85TH ST. N.  
 OWASSO, OK 74055  
 PHONE: (918) 272-4494  
 FAX: (918) 272-7906  
 EMAIL: coulter-co@earthlink.net  
 CONTACT: BRENDA OR KEN

**GLAZING SCHEDULE**

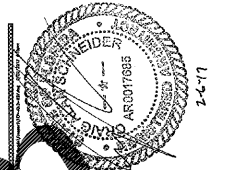
1	1 5/16" INSULATED IMPACT RESISTANT SAFETY GLAZING (7/16" CLEAR TEMPERED EXTERIOR PANE WITH REINFORCING INNER LAYER / 7/16" CLEAR TEMPERED INTERIOR PANE) SHADING COEFFICIENT 0.81
---	---



**A** ALUMINUM CURTAIN WALL FRAMING (2 1/2" X 7 13/16") SYSTEM, THERMALLY BROKEN, FIXED UNIT.  
**B1** ALUMINUM CURTAIN WALL FRAMING (2 1/2" X 7 13/16") SYSTEM, THERMALLY BROKEN, FIXED UNIT.  
**B2** ALUMINUM CURTAIN WALL FRAMING (2 1/2" X 7 13/16") SYSTEM, THERMALLY BROKEN, FIXED UNIT.  
**C** ALUMINUM CURTAIN WALL FRAMING (2 1/2" X 7 13/16") SYSTEM, THERMALLY BROKEN, FIXED UNIT.



**Order Plans**



**CRAIG A. SCHNEIDER, AIA**  
 ARCHITECT  
 1736 East Sunshine, Suite 417  
 Springfield, Missouri 65804  
 417-862-6838  
 Fax: 417-862-3265  
 e-mail: architect@eastreilly.com

**PROJECT:**  
 NEW O'REILLY AUTO PARTS STORE  
 EAST MAIN STREET  
 FREEPORT, FL  
**WINDOW SCHEDULE**

**O'Reilly AUTO PARTS**  
 CORPORATE OFFICES  
 231 SOUTH PATTERSON  
 SPRINGFIELD, MISSOURI 65802  
 (417) 862-2674 TELEPHONE

COMM #	3924
DATE:	9-16-16
REVISION	
DATE:	2-6-17