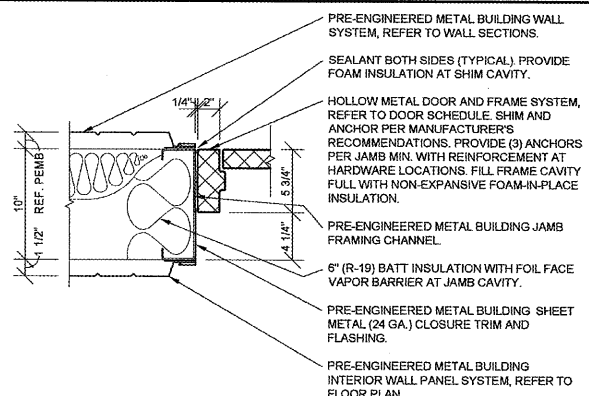


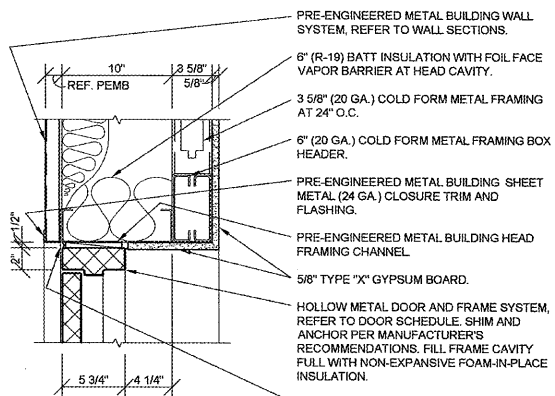
### 1 HEAD DETAIL

A5.1 SCALE: 1 1/2" = 1'-0"



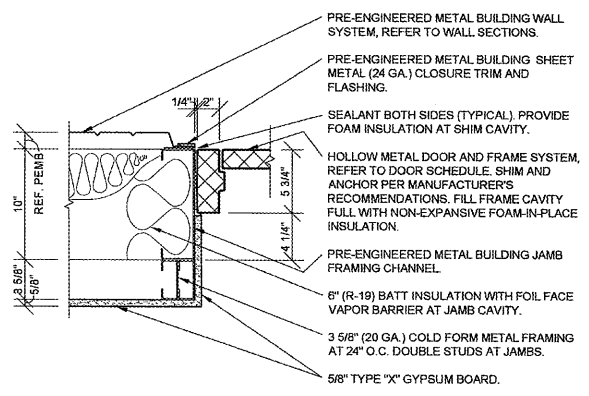
### 2 JAMB DETAIL

A5.1 SCALE: 1 1/2" = 1'-0"



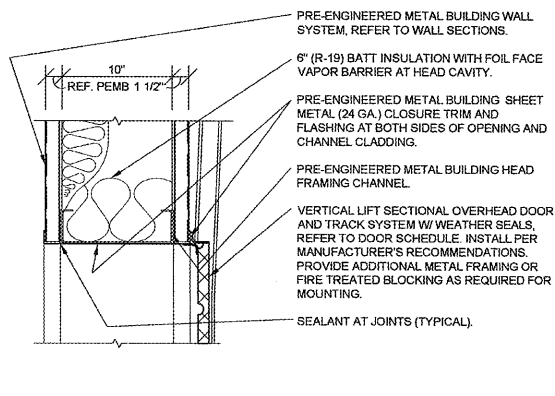
### 3 HEAD DETAIL

A5.1 SCALE: 1 1/2" = 1'-0"



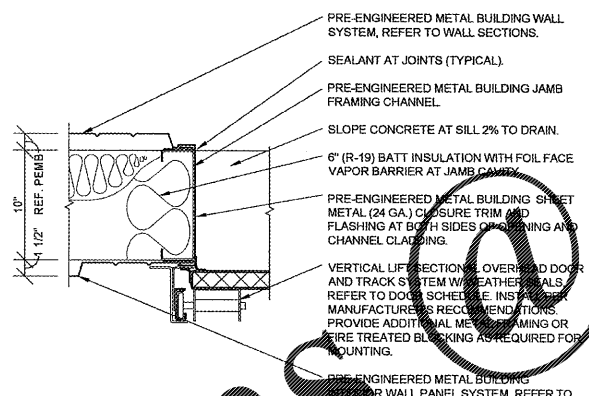
### 4 JAMB DETAIL

A5.1 SCALE: 1 1/2" = 1'-0"



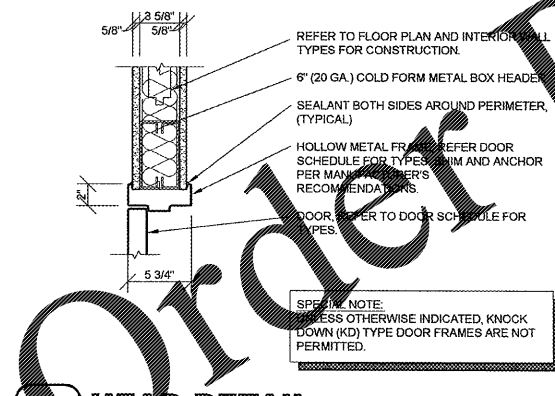
### 5 HEAD DETAIL

A5.1 SCALE: 1 1/2" = 1'-0"



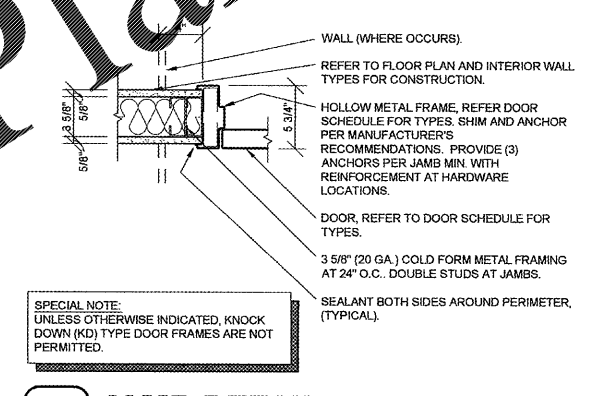
### 6 JAMB DETAIL

A5.1 SCALE: 1 1/2" = 1'-0"



### 7 HEAD DETAIL

A5.1 SCALE: 1 1/2" = 1'-0"



### 8 JAMB DETAIL

A5.1 SCALE: 1 1/2" = 1'-0"

## DOOR SCHEDULE

NO.	DOOR			DOOR HARDWARE			FRAME		DETAILS			FIRE RATING	REMARKS (REFER NOTES)	
	SIZE (W x H x D)	TYPE	SWING	MATERIAL	GLAZ TYPE	SET #	KEYED	TYPE	MATERIAL	HEAD WIDTH	HEAD			JAMB
1	3'-0" X 7'-0" X 1-3/4"	A	REFER TO FLOOR PLAN	ALUMINUM		1	1	A	1	ALUMINUM	4/A5.2	4/A5.2	5/A5.2	1, 2
2	3'-0" X 7'-0" X 1-3/4"	B	REFER TO FLOOR PLAN	INSULATED METAL		2	A	2	2	INSULATED METAL	1/A5.1	2/A5.1	5/A5.2 SIM	1, 2, 3
3	8'-0" X 8'-0"	D	SECTIONAL OVERHEAD	INSULATED METAL		3			3	MANUFACTURER'S STANDARDS	5/A5.1	6/A5.1		1
4	3'-0" X 7'-0" X 1-3/4"	C	REFER TO FLOOR PLAN	SOLID WOOD		4		2	2	HOLLOW METAL	7/A5.1	8/A5.1		1, 4
5	3'-0" X 7'-0" X 1-3/4"	C	REFER TO FLOOR PLAN	SOLID WOOD		5		2	2	HOLLOW METAL	7/A5.1	8/A5.1		1, 4
6	3'-0" X 7'-0" X 1-3/4"	C	REFER TO FLOOR PLAN	SOLID WOOD		5		2	2	HOLLOW METAL	7/A5.1	8/A5.1		1, 4
7	3'-0" X 7'-0" X 1-3/4"	B	REFER TO FLOOR PLAN	INSULATED METAL		6		2	2	INSULATED METAL	3/A5.1	4/A5.1	5/A5.2 SIM	1, 3

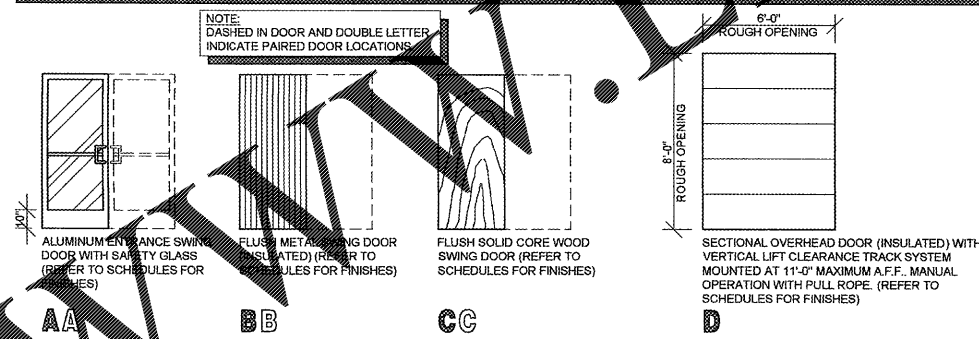
NOTES:  
 1. ALL DOORS SHALL BE SHOP PREPARED FOR HARDWARE.  
 2. ALL EXTERIOR DOORS TO BE KEYPED ALIKE. CONTRACTOR TO FIELD VERIFY AND MATCH CORE OF DOOR MARKED "Z".  
 3. EXTERIOR DOOR, FRAME AND HARDWARE OWNER FURNISHED AND CONTRACTOR INSTALLED. REFER TO SCOPE OF WORK SCHEDULE.  
 4. CONTRACTOR'S OPTION TO PURCHASE INTERIOR DOORS, FRAMES, AND HARDWARE THROUGH PREFERRED VENDOR. REFER TO SCOPE OF WORK SCHEDULE.

LOCKNET  
 100 COURCELLE DRIVE  
 NICHOLASVILLE, KY 40356  
 CONTACT: PAM PEEL  
 PHONE 800-887-4307 EXT 133  
 FAX 859-881-5499  
 EMAIL: construction@locknet.com

SPECIAL NOTE:  
 UNLESS OTHERWISE INDICATED, KNOCK DOWN (KD) TYPE DOOR FRAMES ARE NOT PERMITTED.

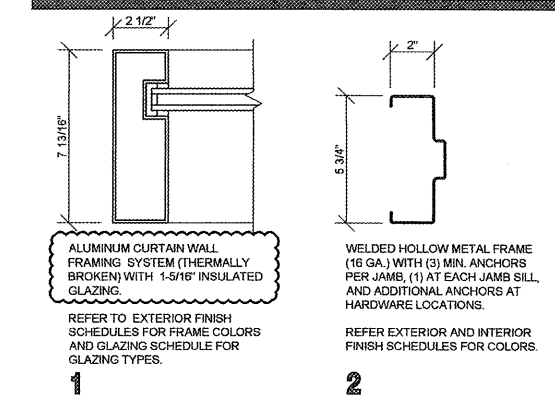
## DOOR TYPES

(SCALE 1/4" = 1'-0")



## FRAME TYPES

(SCALE 3" = 1'-0")

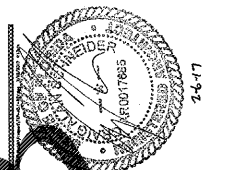


## DOOR HARDWARE SCHEDULE

- HARDWARE NOTES:  
 1. ALL HARDWARE TO BE ADA AND ANSI COMPLIANT.  
 2. VERIFY COMPATIBILITY OF HARDWARE SPECIFIED. NOTIFY ARCHITECT OF INCOMPATIBILITY ISSUES PRIOR TO ORDERING AND INSTALLATION.
- SET NO. 1 (DR. 1)  
 1 CYLINDER: 20-062 X US26D - "E" KEYWAY (REMOVABLE CORE)..... SCHLAGE
- (FOLLOWING REQUIRED HARDWARE FURNISHED WITH WINDOW FRAMING DOOR SYSTEM)  
 1 PAIR OFFSET PIVOTS: 195/188 X US26D..... RIXSON  
 1 DEADLOCK: MS 1850S X US28..... ADAMS RITE  
 1 DEADLOCK LEVER: 4550 X US28..... ADAMS RITE  
 1 STRIKE: MS4002 X US28..... ADAMS RITE  
 1 SET PUSH/PULLS: 86-151 ULTRALINE W/ OFFSET PULL..... US26D  
 1 CLOSER: 4041-3077-187J-TB X AL (ADJ. TO 8.5 LBS.)..... PEKMO  
 1 SET PERIMETER GASKETS: POLYMERIC BULB X LENGTH REQUIRED..... PEKMO  
 1 SWEEP: 345AP X LENGTH REQUIRED..... PEKMO  
 1 THRESHOLD: 270A X LENGTH REQUIRED (OFFSET PIVOT)..... PEKMO  
 (ANSI & ADA COMPLIANT)
- SET NO. 2 (DR. 2)  
 1 CONTINUOUS HINGE: 110-112A X US28..... HAGER  
 1 CYLINDER: 20-057 X US26D - "E" KEYWAY (REMOVABLE CORE)..... SCHLAGE  
 1 EXIT PANIC LOCK: 8300B X US26D (1) BITTED..... IVES  
 (THROUGH SEX BOLT MOUNTING)  
 1 CLIP: 891BD X COV X 5/8" X 7/8" (ADJ. TO 8.5 LBS.)..... DORMA  
 (THROUGH SEX BOLT MOUNTING)  
 1 SET PERIMETER GASKETS: JAMBS - KERFED QEBD-500, HEADER - ADHESIVE QDST-675..... SCHLEGEL  
 1 LATCH GUARD: LG1002/SF X US26D (STRAIGHT W/PIN W/ SEX BOLTS)..... LATCHGUARD  
 1 DOOR VIEW: 696 - 190 DEGREE WIDE ANGLE X US26D..... IVES  
 1 KICK PLATE: 190S X 8" X 34" X US32D..... HAGAR  
 1 SWEEP: 345AP X LENGTH REQUIRED..... PEKMO  
 1 THRESHOLD: 271A X LENGTH REQUIRED..... PEKMO
- SET NO. 3 (DR. 3)  
 REQUIRED HARDWARE FURNISHED WITH OVERHEAD DOOR SYSTEM (LOCKING FROM INSIDE ONLY)
- SET NO. 4 (DR. 4)  
 3 HINGES: BB1279 X 4 1/2" X 4 1/2" X US26D..... HAGER  
 1 OFFICE LOCK: AUS302N X US26D..... YALE  
 1 WALL BUMPER: 409 X US26D..... ROCKWOOD
- SET NO. 5 (DR. 5, 6)  
 3 HINGES: BB1279 X 4 1/2" X 4 1/2" X US32D X NRP..... HAGER  
 1 EXIT ONLY PANIC LOCK: 8300B X 486 X 689..... DORMA  
 1 CLOSER: 5300MLT X ALM (ADJ. TO 8.5 LBS.)..... IVES  
 (THROUGH SEX BOLT MOUNTING)  
 1 SET PERIMETER GASKETS: JAMBS - KERFED QEBD-500, HEADER - ADHESIVE QDST-675..... SCHLEGEL  
 1 LATCH GUARD: LG1002/SF X US26D (STRAIGHT W/PIN W/ SEX BOLTS)..... LATCHGUARD  
 1 SWEEP: 345AP X LENGTH REQUIRED..... PEKMO  
 1 THRESHOLD: 271A X LENGTH REQUIRED..... PEKMO
- SET NO. 6 (DR. 7)  
 3 HINGES: ECBB1100 X 4 1/2" X 4 1/2" X US32D X NRP..... HAGER  
 1 EXIT ONLY PANIC LOCK: 8300B X 486 X 689..... DORMA  
 1 CLOSER: 5300MLT X ALM (ADJ. TO 8.5 LBS.)..... IVES  
 (THROUGH SEX BOLT MOUNTING)  
 1 SET PERIMETER GASKETS: JAMBS - KERFED QEBD-500, HEADER - ADHESIVE QDST-675..... SCHLEGEL  
 1 LATCH GUARD: LG1002/SF X US26D (STRAIGHT W/PIN W/ SEX BOLTS)..... LATCHGUARD  
 1 SWEEP: 345AP X LENGTH REQUIRED..... PEKMO  
 1 THRESHOLD: 271A X LENGTH REQUIRED..... PEKMO

## GENERAL NOTES

- (A) REFER TO PROJECT MANUAL FOR ADDITIONAL REQUIREMENTS.  
 (B) REFER TO BUILDING CODE SUMMARY FOR PROJECT STRUCTURAL DESIGN CRITERIA. DOOR FRAMING AND ANCHORING SYSTEMS SHALL BE DESIGNED BY MANUFACTURER TO CONFORM TO PERFORMANCE AND TESTING REQUIREMENTS SPECIFIED.  
 (C) REFER TO FLOOR PLAN, ELEVATIONS, AND SECTIONS FOR ADDITIONAL REQUIREMENTS.  
 (D) REFER TO EXTERIOR AND INTERIOR FINISH SCHEDULES FOR COLORS. PERIMETER SEALANT COLOR TO MATCH FRAME COLOR UNLESS OTHERWISE INDICATED.



**CRAIG A. SCHNEIDER, AIA**  
 ARCHITECT  
 1736 East Sunshine, Suite 417  
 Springfield, Missouri 65804  
 417-862-6838  
 Fax: 417-862-3265  
 e-mail: architect@csaarchitect.com

**PROJECT:**  
 NEW O'REILLY AUTO PARTS STORE  
 EAST MAIN STREET  
 FREEPORT, FL  
**DOOR SCHEDULE**

**O'Reilly AUTO PARTS**  
 CORPORATE OFFICES  
 233 SOUTH PATTERSON  
 SPRINGFIELD, MISSOURI 65802  
 (417) 862-2674 TELEPHONE

COMM # 3924  
 DATE: 9-16-16  
 REVISION  
 DATE: 2-6-17