

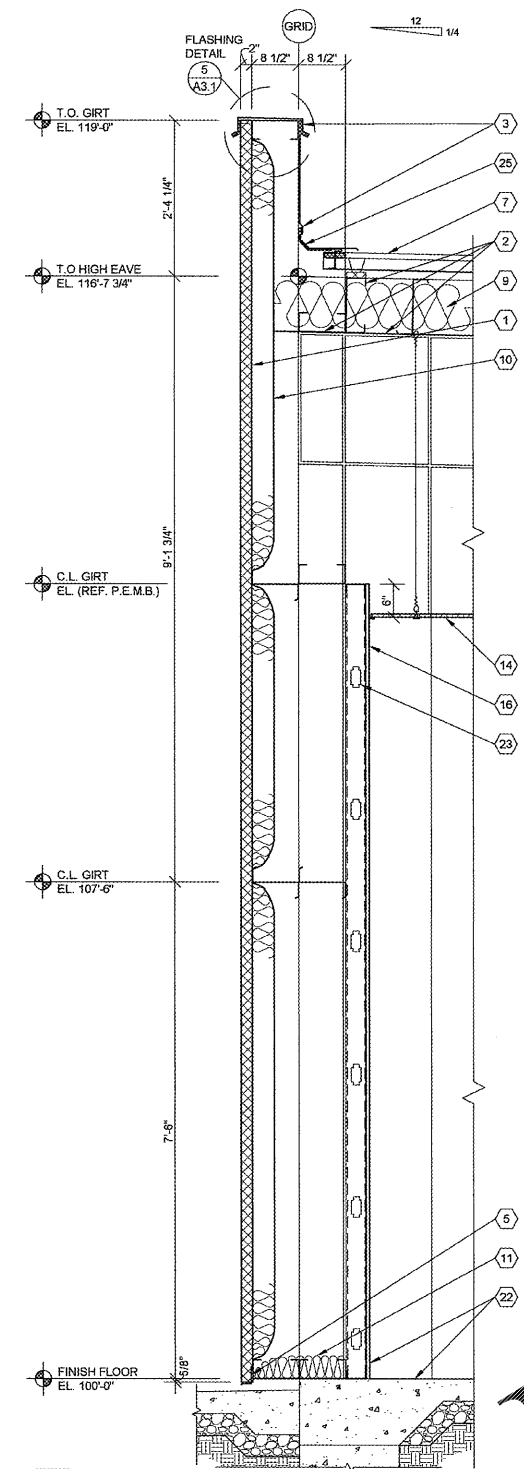
NOTE:
FOR TYPICAL EXTERIOR
WALL CONSTRUCTION
NOTATION, REFER
A3.1

GENERAL NOTES

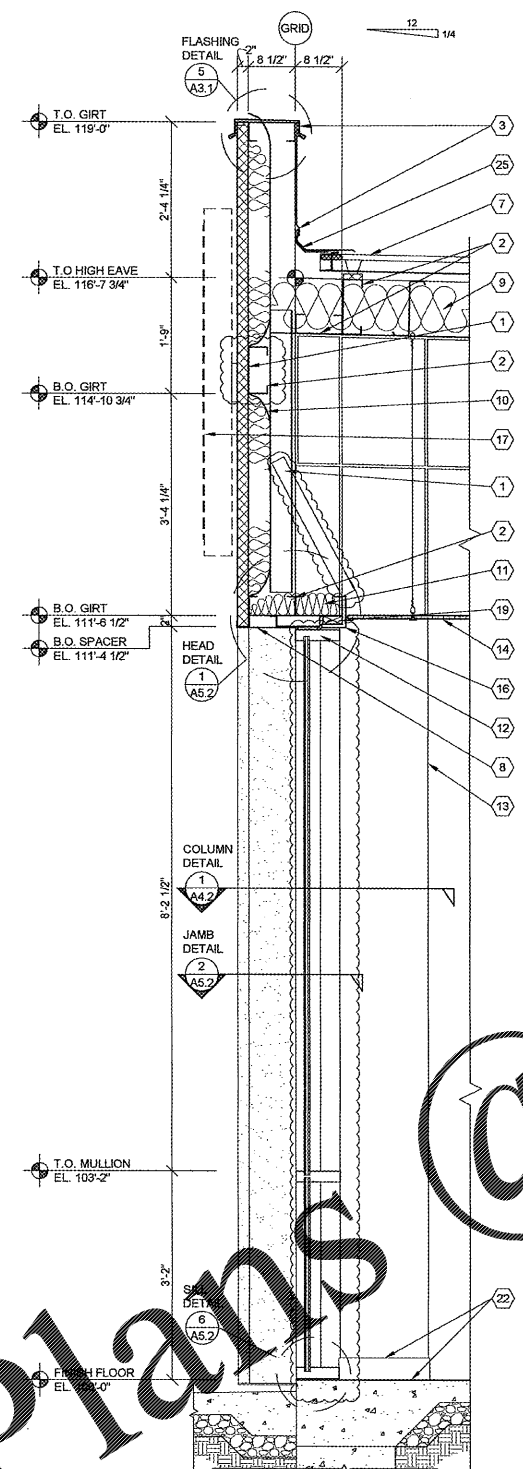
- (A) REFER TO PROJECT MANUAL AND SCOPE OF WORK SCHEDULE FOR ADDITIONAL REQUIREMENTS.
- (B) REFER TO CIVIL, STRUCTURAL, MECHANICAL, ELECTRICAL, PLUMBING AND PRE-ENGINEERED METAL BUILDING (P.E.M.B.) SHOP DRAWINGS FOR ADDITIONAL REQUIREMENTS.
- (C) REFER TO INTERIOR AND EXTERIOR FINISH SCHEDULES FOR MATERIAL TYPES, COLORS AND FINISHES.
- (D) DIMENSIONS ARE TO FACE OF CONCRETE, FRAMING, OR CENTER LINE OF STRUCTURE UNLESS OTHERWISE INDICATED.
- (E) NOT ALL INSULATION SHOWN FOR CLARITY.

KEY NOTES

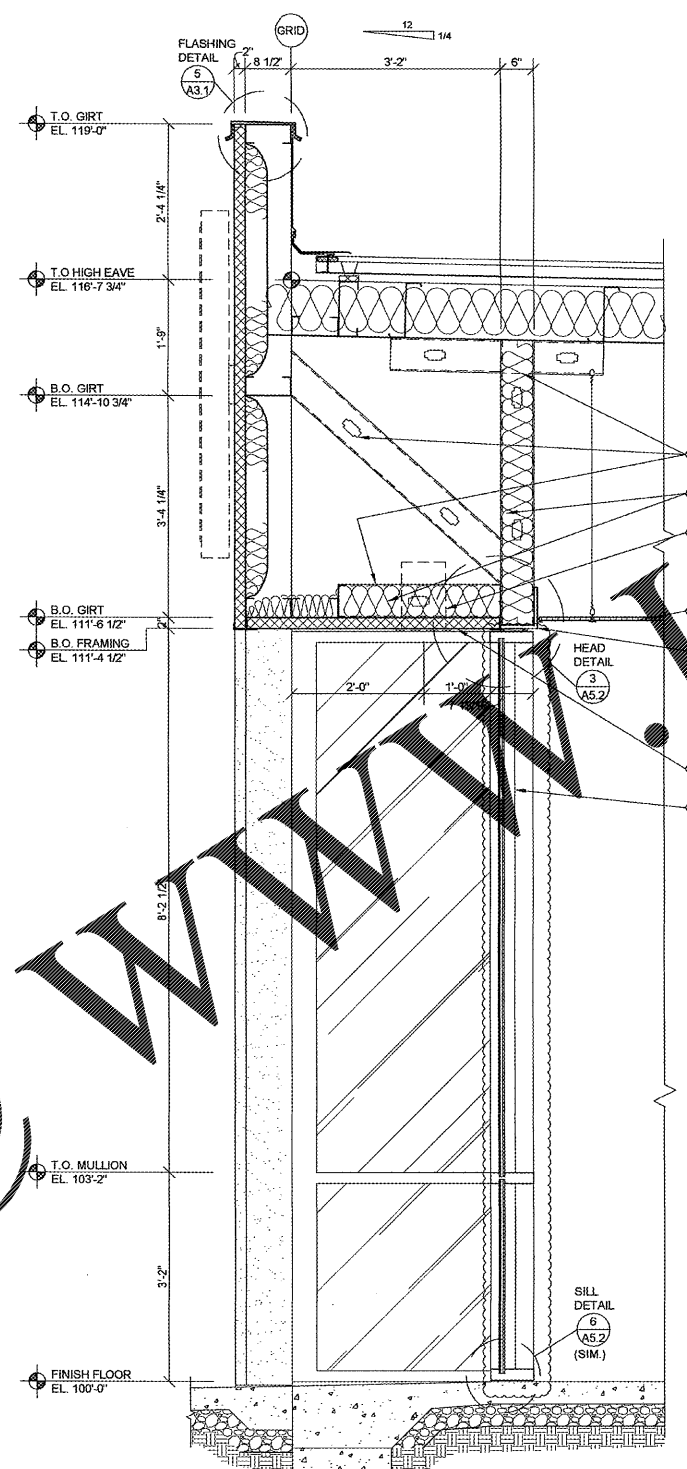
- 1 PRE-ENGINEERED METAL BUILDING EXTERIOR WALL PANEL SYSTEM.
- 2 PRE-ENGINEERED METAL BUILDING PRIMARY AND SECONDARY STRUCTURAL SYSTEMS.
- 3 PRE-ENGINEERED METAL BUILDING SHEET METAL FLASHING, COUNTERSINK FLASHING, CONTINUOUS CLEATS, DRIPS CLOSURES, TRANSITIONS, COPINGS AND ACCESSORIES AS REQUIRED.
- 4 PRE-ENGINEERED METAL BUILDING GUTTER AND DOWNSPOUT SYSTEM, REFER TO EXTERIOR, REFER TO P.E.M.B. SHOP DRAWINGS FOR SIZES.
- 5 PRE-ENGINEERED METAL BUILDING BASE ANGLE OR GIRT WITH PANEL CLOSURE AND SEALANT SYSTEM.
- 6 PRE-ENGINEERED METAL BUILDING INTERIOR WALL LINER PANEL.
- 7 PRE-ENGINEERED METAL BUILDING ROOF PANEL SYSTEM WITH THERMAL SPACER BLOCKS (R-5 MIN.).
- 8 PRE-ENGINEERED METAL BUILDING SOFFIT PANELS AND SHEET METAL CLADDING SYSTEM TO MATCH FRONT EXTERIOR WALL PANELS.
- 9 PRE-ENGINEERED METAL BUILDING ROOF INSULATION (R-36) LINER SYSTEM, (REFER TO SCOPE OF WORK SCHEDULE). VAPOR BARRIER OVER HIGH STRENGTH STEEL SUSPENSION STRAPS ATTACHED TO BOTTOM OF PRE-ENGINEERED METAL BUILDING ROOF PURLINS WITH (1) LAYER 8" (R-26) UN-FACED BATT INSULATION PARALLEL WITH ROOF PURLIN CAVITY AND (1) LAYER 3 1/2" (R-11) UN-FACED BATT INSULATION PERPENDICULAR OVER TOP OF ROOF PURLINS.
- 10 PRE-ENGINEERED METAL BUILDING WALL INSULATION (R-13) WITH VAPOR BARRIER SYSTEM, (REFER TO SCOPE OF WORK SCHEDULE).
- 11 BATT INSULATION (R-19) WITH FOIL FACE VAPOR BARRIER (CONTRACTOR FURNISHED AND INSTALLED).
- 12 ALUMINUM WINDOW SYSTEM, REFER TO FLOOR PLAN AND WINDOW SCHEDULES FOR TYPES.
- 13 PRE-FINISHED SHEET METAL (24 GA.) COLUMN ENCLOSURE TO EXTEND THRU FINISH CEILING SYSTEM. COLOR TO MATCH WINDOW FRAMING FINISH.
- 14 SUSPENDED ACOUSTICAL LAY-IN CEILING SYSTEM, REFER TO INTERIOR FINISH SCHEDULE FOR TYPES AND LOCATIONS.
- 15 6" (16 GA.) COLD FORM METAL STUD FRAMING AT 24" O.C. ATTACHED TO PRE-ENGINEERED METAL BUILDING STRUCTURAL FRAMING SYSTEM, REFER TO STRUCTURAL DRAWINGS.
- 16 5/8" TYPE "X" GYPSUM BOARD (PAINT).
- 17 SURFACE MOUNTED WALL SIGN, OWNER FURNISHED AND INSTALLED, (REFER TO SCOPE OF WORK SCHEDULE), PROVIDE BACKING AND ELECTRICAL ROUGH-IN, REFER TO ELECTRICAL DRAWINGS.
- 18 (NOT USED).
- 19 FIRE TREATED 2X BLOCKING ATTACHED TO PRE-ENGINEERED METAL BUILDING STRUCTURAL SYSTEM.
- 20 (NOT USED).
- 21 RECESSED LIGHTING FIXTURE, REFER TO ELECTRICAL DRAWINGS FOR TYPE AND LOCATION.
- 22 FLOORING AND BASE, REFER TO INTERIOR FINISH SCHEDULE FOR TYPES AND LOCATIONS.
- 23 3 5/8" (20 GA.) COLD FORM METAL STUD FRAMING AT 24" O.C., REFER TO FLOOR PLAN AND INTERIOR WALL TYPES.
- 24 NOT USED.
- 25 PRE-ENGINEERED METAL BUILDING TRANSITION SUPPORT BENT PLATE.
- 26 DOOR AND FRAME SYSTEM, REFER TO FLOOR PLAN AND SCHEDULES FOR TYPES.
- 27 FINISH LAWN, PAVEMENT OR SIDEWALK, SLOPE TO DRAIN AWAY FROM BUILDING, REFER TO CIVIL DRAWINGS.



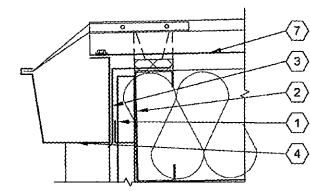
1 WALL SECTION
A3.1 SCALE: 3/4" = 1'-0"



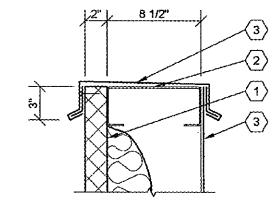
2 WALL SECTION
A3.1 SCALE: 3/4" = 1'-0"



3 WALL SECTION
A3.1 SCALE: 3/4" = 1'-0"



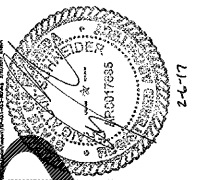
4 SECTION
A3.1 SCALE: 1 1/2" = 1'-0"



5 SECTION
A3.1 SCALE: 1 1/2" = 1'-0"

NOTE:
REFER TO STRUCTURAL DRAWINGS FOR FOOTINGS,
FOUNDATIONS, SLABS AND REINFORCEMENT.

Order Plans @



CRAIG A. SCHNEIDER, AIA
ARCHITECT
1736 East Sunshine, Suite 417
Springfield, Missouri 65804
417.862.8638
Fax: 417.862.3265
e-mail: architect@cschneider.com

PROJECT:
NEW O'REILLY AUTO PARTS STORE
EAST MAIN STREET
FREEPORT, FL
WALL SECTIONS

O'Reilly AUTO PARTS
CORPORATE OFFICES
233 SOUTH PATTERSON
SPRINGFIELD, MISSOURI 65802
(417) 862-2674 TELEPHONE

COMM #	3924
DATE:	9-16-16
REVISION DATE:	2-6-17