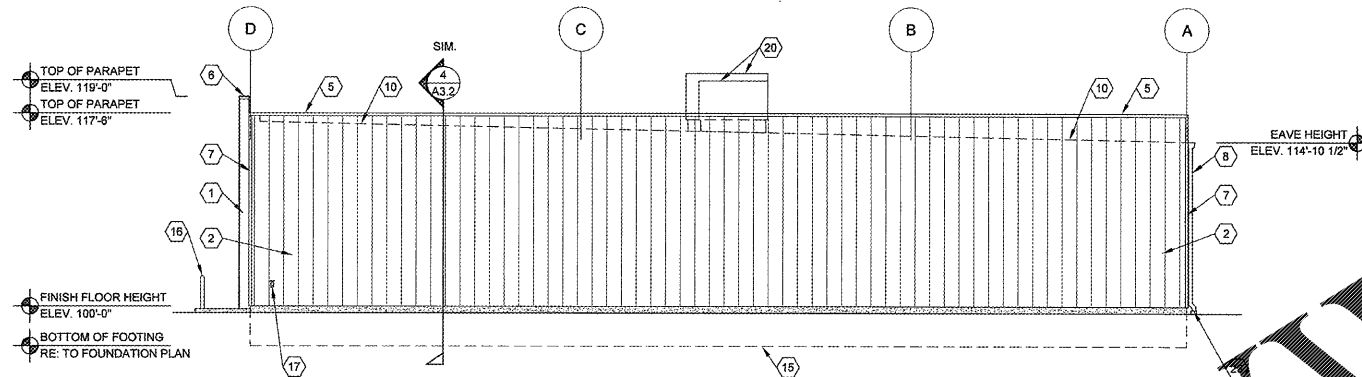


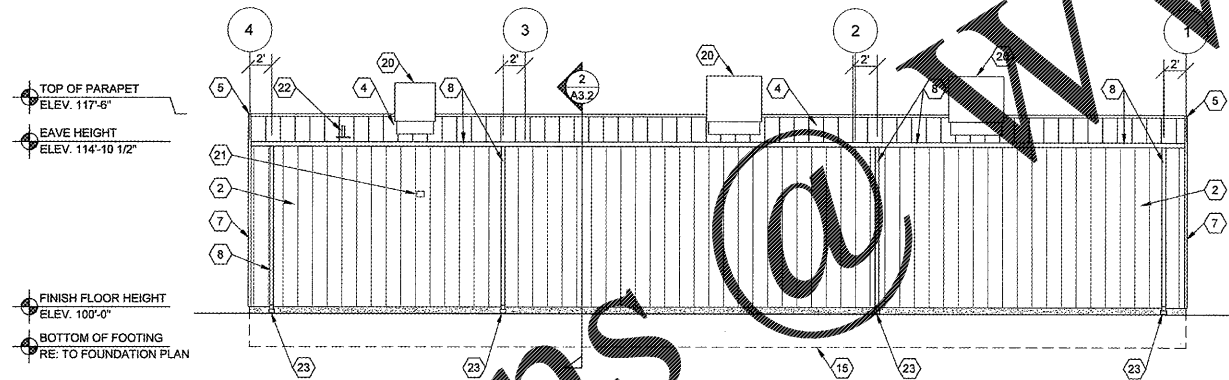
1 NORTH EXTERIOR ELEVATION

A2.1 SCALE: 1/8" = 1'-0"



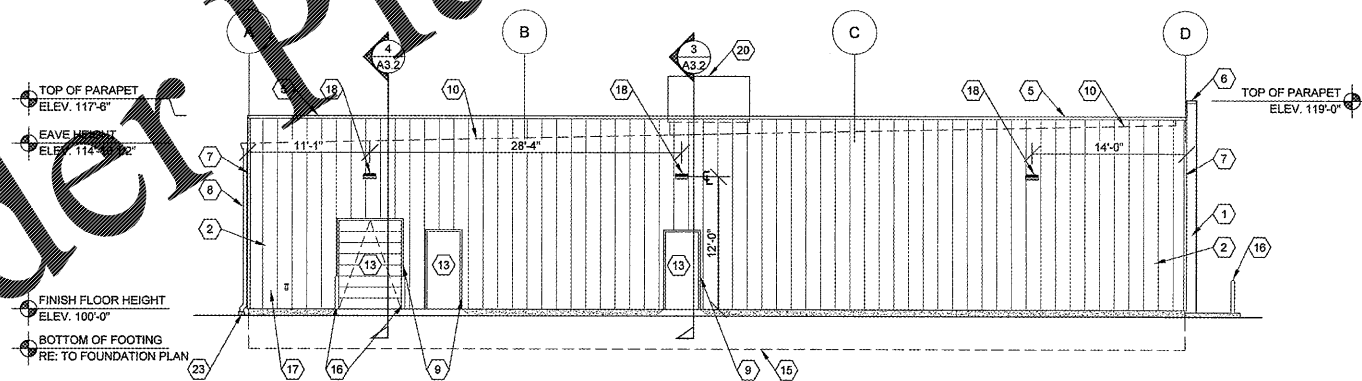
2 WEST EXTERIOR ELEVATION

A2.1 SCALE: 1/8" = 1'-0"



3 SOUTH EXTERIOR ELEVATION

A2.1 SCALE: 1/8" = 1'-0"



4 EAST EXTERIOR ELEVATION

A2.1 SCALE: 1/8" = 1'-0"

EXTERIOR FINISH SCHEDULE

PRE-ENGINEERED METAL BUILDING WALL PANEL SYSTEMS

KEY NOTE NO. 1:
TYPE: EXTERIOR WALL PANEL (TYPE 1)
MFG: (REFER TO PRE-ENGINEERED METAL BUILDING SHOP DRAWINGS)
SERIES: EQUAL TO BUTLER BUILDING "STYLWALL"
FINISH: PREFINISHED
COLOR: EQUAL TO SHERWIN WILLIAMS "POSITIVE RED" SW6871 GLOSS

KEY NOTE NO. 2:
TYPE: EXTERIOR WALL PANEL (TYPE 2)
MFG: (REFER TO PRE-ENGINEERED METAL BUILDING SHOP DRAWINGS)
SERIES: EQUAL TO BUTLER BUILDING "STYLWALL"
FINISH: PREFINISHED
COLOR: EQUAL TO BUTLER BUILDING "COOL BIRCH WHITE"

FLASHING AND SHEET METAL

KEY NOTE NO. 4:
TYPE: STANDING SEAM ROOFING SYSTEM
MFG: (REFER TO PRE-ENGINEERED METAL BUILDING SHOP DRAWINGS)
COLOR: GALVALUME

KEY NOTE NO. 5:
TYPE: CAP FLASHING AT WALL PANELS (TYPE 2 AND TYPE 3)
MFG: (REFER TO PRE-ENGINEERED METAL BUILDING SHOP DRAWINGS)
FINISH: PREFINISHED
COLOR: EQUAL TO BUTLER BUILDING "COOL EMERALD GREEN"

KEY NOTE NO. 6:
TYPE: CAP FLASHING AT WALL PANELS (TYPE 2)
MFG: (REFER TO PRE-ENGINEERED METAL BUILDING SHOP DRAWINGS)
FINISH: PREFINISHED
COLOR: SHERWIN WILLIAMS "POSITIVE RED" SW6871 GLOSS WITH SHERWIN WILLIAMS THREE COMPONENT (B65V106 / B65V107 / B65C105) CLEAR COATING

KEY NOTE NO. 7:
TYPE: EAVE PANEL TRIM
MFG: (REFER TO PRE-ENGINEERED METAL BUILDING SHOP DRAWINGS)
FINISH: PREFINISHED
COLOR: EQUAL TO BUTLER BUILDING "COOL BIRCH WHITE"

KEY NOTE NO. 8:
TYPE: GUTTER AND DOWNSPOUTS
MFG: (REFER TO PRE-ENGINEERED METAL BUILDING SHOP DRAWINGS)
FINISH: PREFINISHED
COLOR: EQUAL TO BUTLER BUILDING "COOL BIRCH WHITE"

KEY NOTE NO. 9:
TYPE: DOOR TRIM
MFG: (REFER TO PRE-ENGINEERED METAL BUILDING SHOP DRAWINGS)
FINISH: PREFINISHED
COLOR: EQUAL TO BUTLER BUILDING "COOL BIRCH WHITE"

DOORS AND WINDOWS

KEY NOTE NO. 13:
TYPE: STEEL DOORS AND FRAMES (DOOR NO. 2)
MFG: (OWNER FURNISHED / CONTRACTOR INSTALLED)
FINISH: FACTORY PREFINISHED
COLOR: SHERWIN WILLIAMS "HUNT CLUB" SW6488 (SEMI-GLOSS)

KEY NOTE NO. 13:
TYPE: STEEL DOORS AND FRAMES (DOOR NO. 7)
MFG: (OWNER FURNISHED / CONTRACTOR INSTALLED)
FINISH: FACTORY PREFINISHED
COLOR: EQUAL TO BUTLER BUILDING "COOL BIRCH WHITE"

KEY NOTE NO. 13:
TYPE: SECTIONAL OVERHEAD DOOR (DOOR NO. 3)
MFG: (REFER PROJECT MANUAL)
FINISH: FACTORY PRIMED AND FIELD PAINT
COLOR: SHERWIN WILLIAMS "HUNT CLUB" SW6488 (SEMI-GLOSS)

KEY NOTE NO. 14:
TYPE: (REFER TO WINDOW SCHEDULE)
MFG: EFCO, KAWNEER, OR OLD CASTLE (VISTA WALL). (NO SUBSTITUTES)
FINISH: PREFINISHED
COLOR: EFCO "IVY", KAWNEER "DARK IVY", VISTA WALL "INTERSTATE GREEN"

PAINTING

KEY NOTE NO. 16:
TYPE: STEEL BOLLARDS (REFER TO CIVIL DRAWINGS)
FINISH: FIELD PRIME AND PAINT
COLOR: SHERWIN WILLIAMS "HUNT CLUB" SW6488 (SEMI-GLOSS)

GENERAL NOTES

- (A) REFER TO PROJECT MANUAL FOR ADDITIONAL REQUIREMENTS.
- (B) REFER TO CIVIL DRAWINGS FOR ADDITIONAL REQUIREMENTS.
- (C) REFER TO PLUMBING, MECHANICAL, AND ELECTRICAL DRAWINGS FOR SYSTEM TYPES AND ADDITIONAL REQUIREMENTS.
- (D) REFER TO EXTERIOR FINISH SCHEDULE FOR MATERIAL TYPES.
- (E) REFER TO PRE-ENGINEERED METAL BUILDING SHOP DRAWINGS FOR ADDITIONAL REQUIREMENTS.
- (F) REFER TO SCOPE OF WORK SCHEDULE FOR ADDITIONAL REQUIREMENTS.

KEYNOTES

- (1) PRE-ENGINEERED METAL BUILDING EXTERIOR WALL PANEL SYSTEM (TYPE 1)
- (2) PRE-ENGINEERED METAL BUILDING EXTERIOR WALL PANEL SYSTEM (TYPE 2)
- (3) NOT USED.
- (4) PRE-ENGINEERED METAL BUILDING SHEET METAL ROOFING SYSTEM.
- (5) PRE-ENGINEERED METAL BUILDING SHEET METAL FLASHING WITH 3" VERTICAL FACE. (AT TYPE 2 WALL PANELS).
- (6) PRE-ENGINEERED METAL BUILDING SHEET METAL FLASHING WITH 3" VERTICAL FACE (AT TYPE 1 WALL PANELS).
- (7) PRE-ENGINEERED METAL BUILDING SHEET METAL WALL PANEL TRIM.
- (8) PRE-ENGINEERED METAL BUILDING SHEET METAL GUTTER AND DOWNSPOUT SYSTEM.
- (9) PRE-ENGINEERED METAL BUILDING SHEET METAL DOOR TRIM.
- (10) LINE OF ROOF BEYOND WITH 1/4":12" SLOPE MINIMUM
- (11) SURFACE MOUNTED SIGN OWNER FURNISHED AND INSTALLED. PROVIDE BACKING FOR MOUNTING AND ROUGH-IN ELECTRICAL COORDINATE REQUIREMENTS WITH OWNER. REFER TO SHEET SQ2.1.
- (12) BUILDING ADDRESS NUMBERS IN 6" HIGH HELVETICA WHITE VINYL ADHERED TO EXTERIOR FACE OF GLAZING.
- (13) EXTERIOR DOOR AND FRAME SYSTEM. REFER TO FLOOR PLAN AND DOOR SCHEDULE FOR TYPES.
- (14) EXTERIOR WINDOW SYSTEM. REFER TO FLOOR PLAN AND WINDOW SCHEDULE FOR TYPES.
- (15) APPROXIMATE LINE OF FOUNDATION. REFER TO STRUCTURAL DRAWINGS.
- (16) STEEL BOLLARDS, REFER TO CIVIL AND STRUCTURAL DRAWINGS.
- (17) HOSE BIB, REFER TO PLUMBING DRAWINGS.
- (18) LIGHT FIXTURE, REFER TO ELECTRICAL DRAWINGS.
- (19) (NOT USED).
- (20) MECHANICAL ROOF TOP UNIT, REFER TO MECHANICAL DRAWINGS.
- (21) MECHANICAL WALL PENETRATIONS, REFER TO MECHANICAL DRAWINGS. PROVIDE FRAMING, FLASHING, AND SEALANT AS REQUIRED.
- (22) PLUMBING ROOF VENT, REFER TO PLUMBING DRAWINGS AND DETAIL 11A6.1.
- (23) DOWNSPOUT COLLECTION SYSTEM. REFER TO CIVIL GRADING PLAN.



CRAIG A. SCHNEIDER, AIA
ARCHITECT

1736 East Sunshine, Suite 417
Springfield, Missouri 65804
417.862.0636
Fax: 417.862.3265
e-mail: architect@estertyschneider.com

PROJECT:
NEW O'REILLY AUTO PARTS STORE
EAST MAIN STREET
FREEMONT, FL
EXTERIOR ELEVATIONS

O'Reilly AUTO PARTS
CORPORATE OFFICES
233 SOUTH PATTERSON
SPRINGFIELD, MISSOURI 65802
(417) 862-2674 TELEPHONE

COMM # 3924
DATE: 9-16-16
REVISION
DATE: