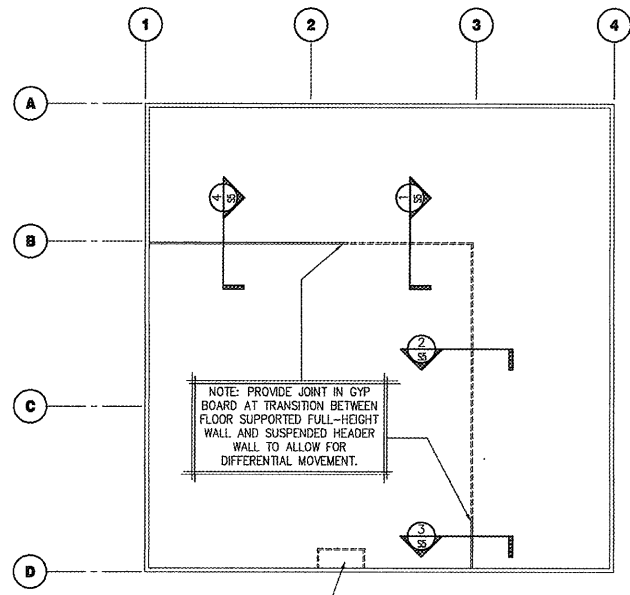
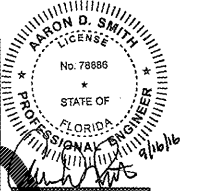


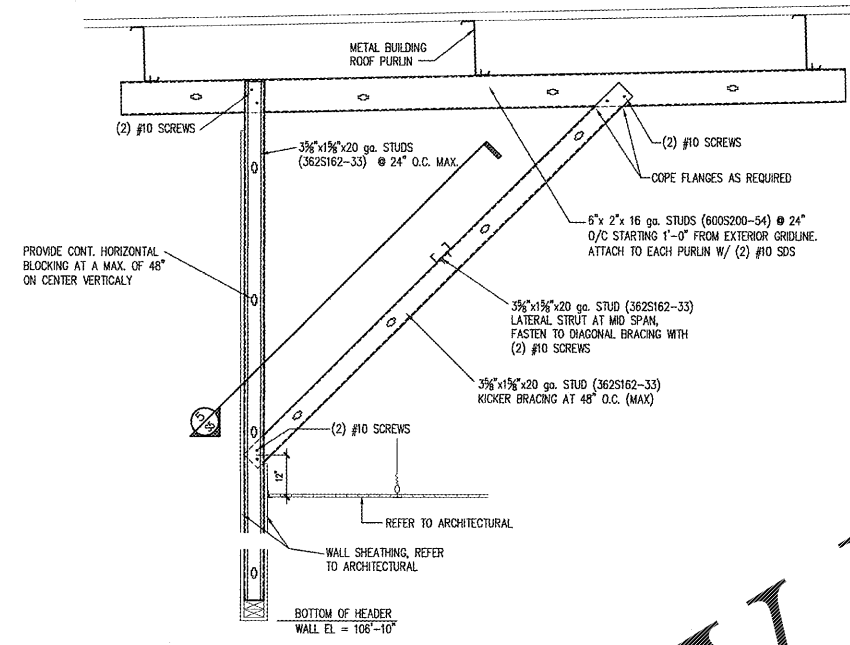
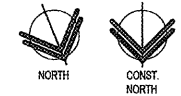
RECEIVED
 SEP 15 2016
 1100 E. SPRINGFIELD ST. SUITE 417
 SPRINGFIELD, MO



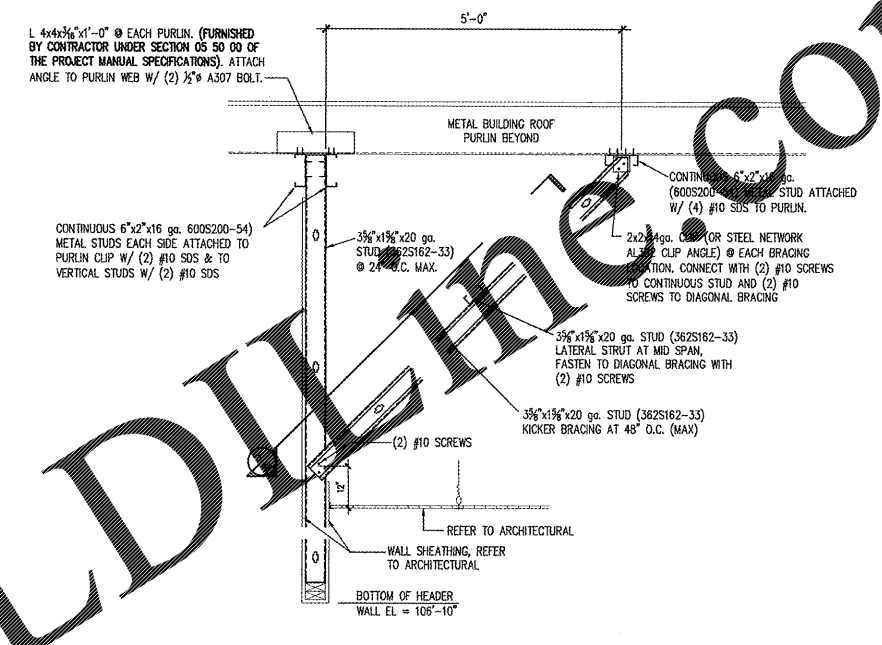
6"x18 ga (600S162-43) METAL STUD CEILING FRAMING AND BRACING @ 16" O.C. (MAX) OVER ENTRY. REFER TO ARCHITECTURAL FOR FRAMING PROFILES. FASTEN FRAMING MEMBERS TO METAL BUILDING STRUCTURAL MEMBERS WITH #10 SCREWS. PROVIDE MINIMUM (2) #10 SCREWS AT STUD TO STUD CONNECTIONS.

STRUCTURAL PLAN

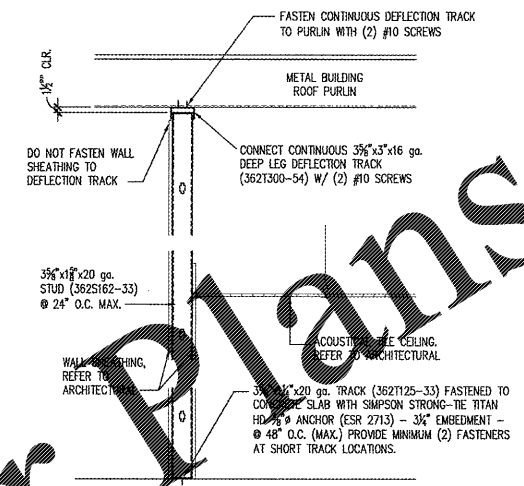
SCALE: 1/8" = 1'-0"



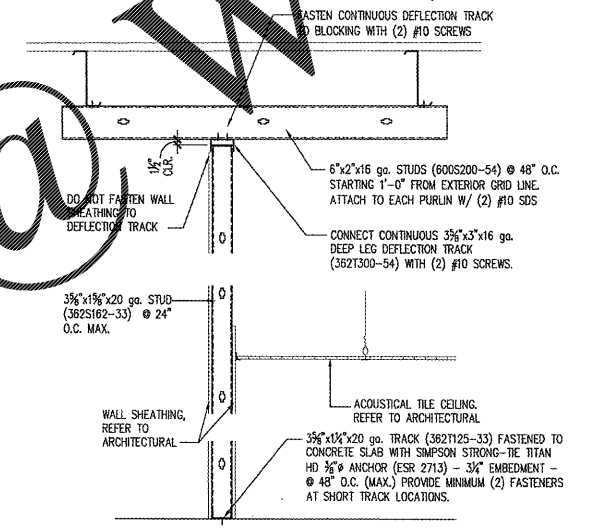
1 SECTION
 S5 SCALE: 3/4" = 1'-0"



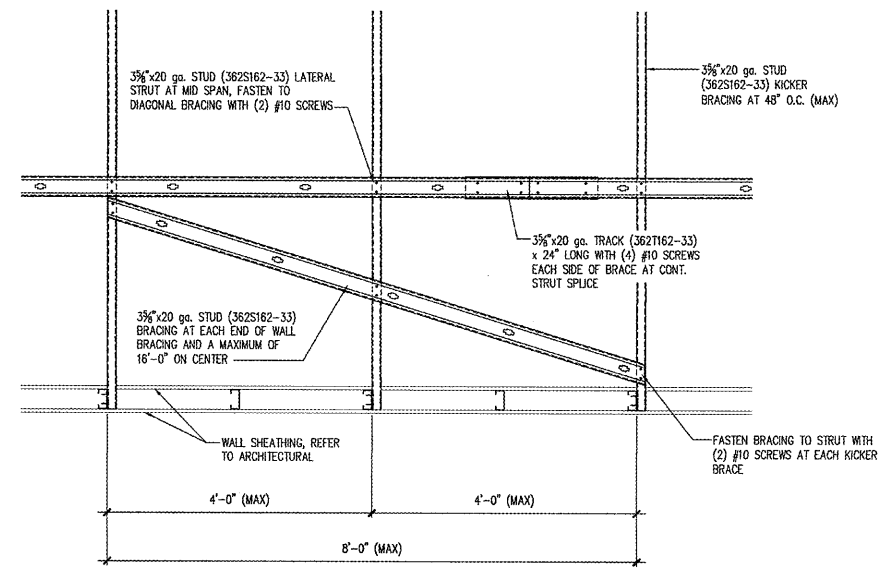
2 SECTION
 S5 SCALE: 3/4" = 1'-0"



3 SECTION
 S5 SCALE: 3/4" = 1'-0"



4 SECTION
 S5 SCALE: 3/4" = 1'-0"



5 SECTION
 S5 SCALE: 3/4" = 1'-0"

Order Plans

PROJECT: O'REILLY AUTO PARTS STORE
 EAST MAIN STREET
 FREEPORT, FL
 FRAMING DETAILS

O'Reilly AUTO PARTS
 CORPORATE OFFICES
 233 SOUTH PATTERSON
 SPRINGFIELD, MISSOURI 65802
 (417) 862-2674 TELEPHONE

COMM # 3924
 DATE: 9-16-16
 REVISION DATE:

JS Smith Consulting Engineers, P.C.
 Florida State Certificate of Authorization No. 26287
 Aaron D. Smith P.E. 78886 Jeffrey S. Smith P.E. 34027
 P.O. Box 8102 * JOPLIN, MISSOURI 64802
 PHONE: 417-624-0444 * FAX: 417-624-0430