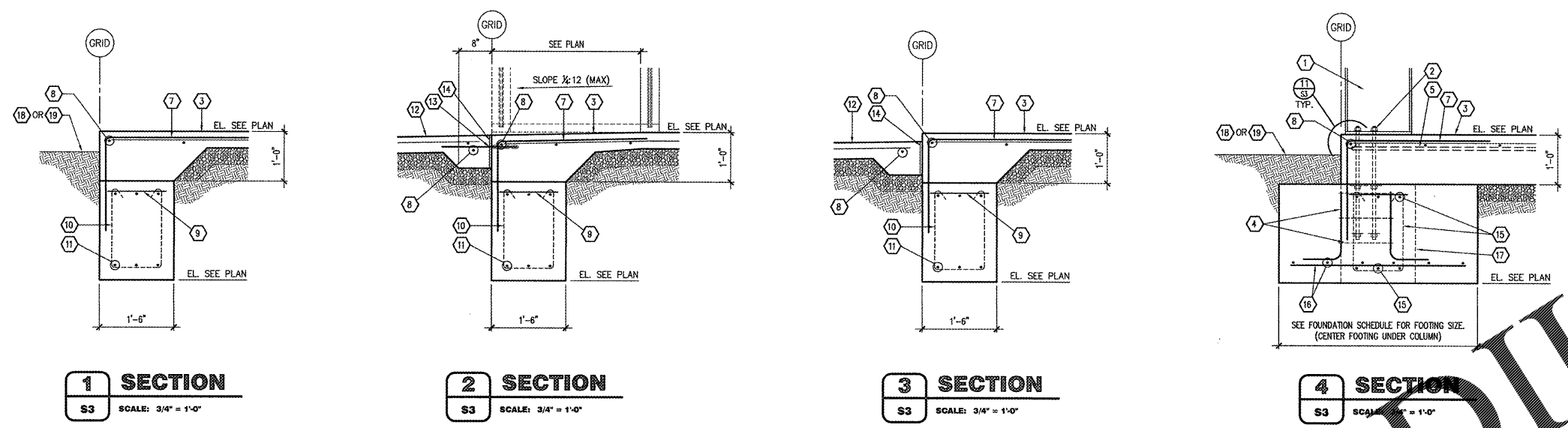
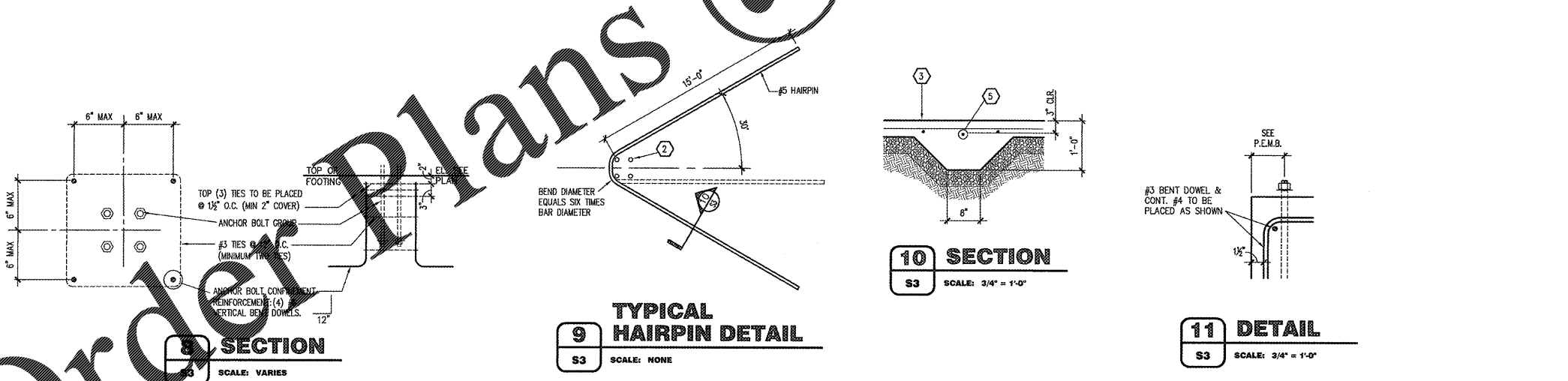
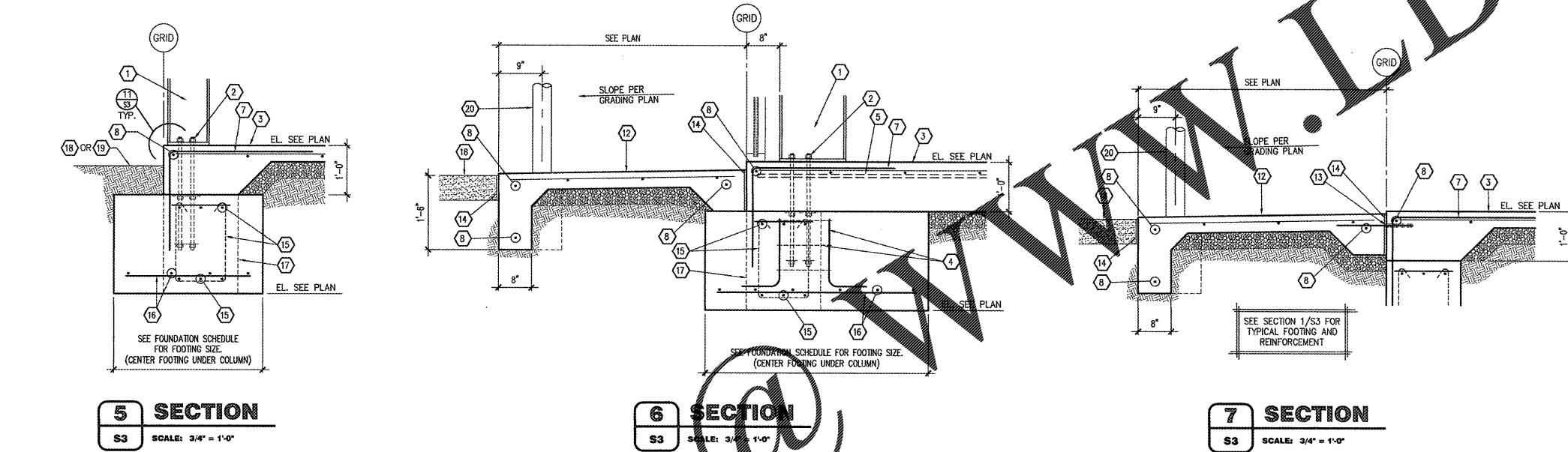


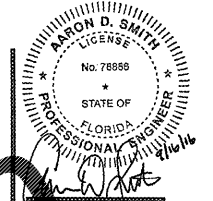
RECEIVED
 11 SEP 15 2016
 1706 E. SUNSHINE ST. SUITE 417
 SPRINGFIELD, MO



- KEYNOTES:**
- PRE-ENGINEERED METAL BUILDING STRUCTURAL SYSTEM. SEE P.E.M.B. SHOP DRAWINGS FOR ADDITIONAL INFORMATION.
 - ANCHOR BOLTS. SEE FOUNDATION SCHEDULE AND PRE-ENGINEERED METAL BUILDING DRAWINGS FOR SIZE, QUANTITY AND PLAN LOCATION. SEE 1/54 FOR TYPICAL SHOP FABRICATED ANCHOR ASSEMBLY.
 - INTERIOR CONCRETE SLAB SEE FOUNDATION PLAN.
 - SEE DETAIL 8/S3 FOR VERTICAL ANCHOR BOLT CONFINEMENT REINFORCEMENT.
 - SLAB HAIRPIN - SEE DETAIL 9/S3
 - SEE FOUNDATION SCHEDULE FOR PILASTER REINFORCEMENT.
 - #3x5'-0" DOWEL @ 36" O.C. FIELD BEND AS SHOWN 24" TYP.
 - #4 CONTINUOUS (PROVIDE BENT BARS AT SLAB CHANGERS)
 - #3 DOWELS @ 48" O.C.
 - #3 STIRRUPS @ 48" O.C.
 - (3) #4's CONTINUOUS TOP & BOTTOM
 - EXTERIOR CONCRETE SLAB SEE FOUNDATION PLAN.
 - AT EXTERIOR DOOR LOCATIONS DRILL 6" DEEP HOLES FOR #4x1'-6" DOWELS @ 24" O.C. AND ADHERE IN PLACE. SEE ADHESIVE ANCHOR SYSTEM NOTES SHEET 51 FOR INSTALLATION.
 - ISOLATE JOINT WITH ASPHALTIC FILLER & SEALANT
 - CONTINUOUS FOOTING REINFORCEMENT TO RUN THROUGH COLUMN FOUNDATIONS. SEE SECTION 1/S3 FOR REINFORCEMENT INFORMATION.
 - COLUMN FOOTING REINFORCEMENT SEE FOUNDATION SCHEDULE.
 - CONTINUOUS FOOTING BEYOND
 - PAVING, SEE SITE DEVELOPMENT DRAWINGS FOR ADDITIONAL INFORMATION.
 - SEE GRADING PLAN FOR FINISHED GRADES.
 - STEEL BOLLARD SEE SITE PLAN.
 - #4 CORNER REINFORCEMENT CENTERED IN SLAB. 36" TYP.
 - (3) #3 TIES @ 12" O.C.
 - (3) #3 TIES @ 12" O.C.



Order Plans @



Craig A. Schneider, AIA
 ARCHITECT

1736 East Sunshine, Suite 417
 Springfield, Missouri 65804
 417-862-0559
 Fax: 417-862-8285
 e-mail: architect@cateryschneider.com

PROJECT:
O'REILLY AUTO PARTS STORE
EAST MAIN STREET
FREEMONT, FL

O'Reilly AUTO PARTS
 CORPORATE OFFICES
 233 SOUTH PATTERSON
 SPRINGFIELD, MISSOURI 65802
 (417) 862-2674 TELEPHONE

COMM # 3024
 DATE: 9-16-16
 REVISION
 DATE:

JSS JS Smith Consulting Engineers, P.C.
 Florida State Certificate of Authorization No. 26267
 Aaron D. Smith P.E. 78886 Jeffrey S. Smith P.E. 34027
 P.O. Box 8102 • JOPLIN, MISSOURI 64802
 PHONE: 417-624-0444 • FAX: 417-624-0430