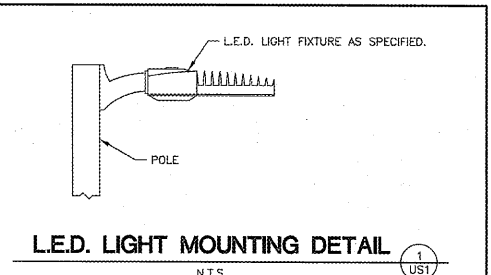
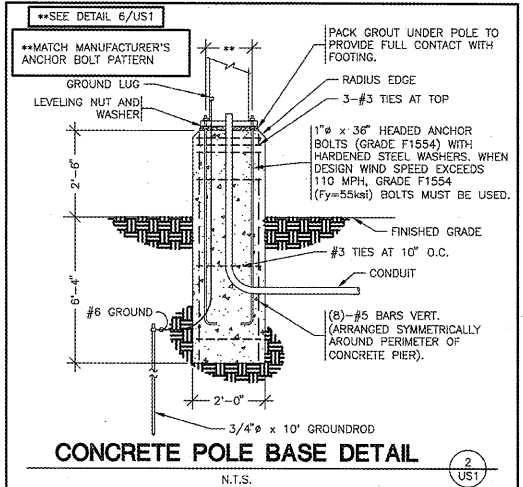
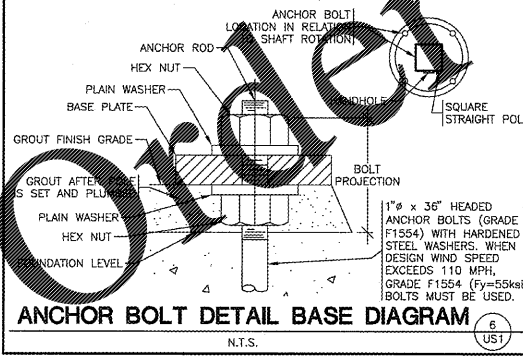
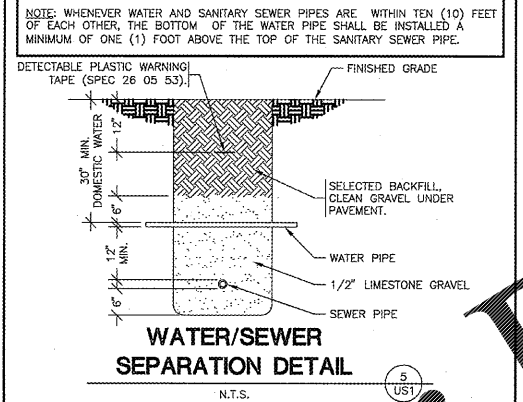
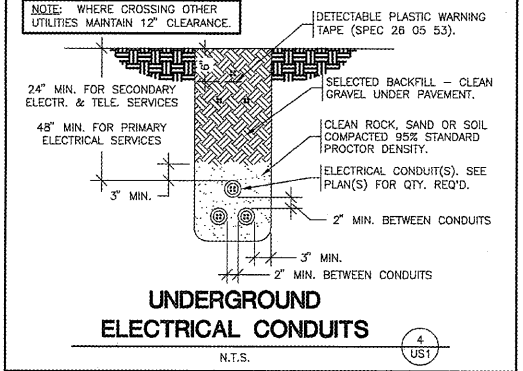
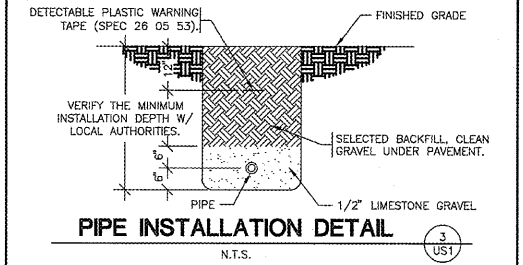


RECEIVED
AUG 21 2017
OFFICE OF THE CITY ENGINEER
CITY OF FREEMONT, MISSOURI



GENERAL NOTE:
PRIOR TO INSTALLATION, GENERAL CONTRACTOR SHALL CONFIRM THAT LIGHT POLES, LANDSCAPING AND UTILITIES DO NOT CONFLICT WITH SIGN LOCATION SHOWN. IF ANY POTENTIAL CONFLICT IS DISCOVERED, GENERAL CONTRACTOR SHALL CONTACT THE O'REILLY PROJECT ADMINISTRATOR BEFORE PROCEEDING.

VENSTAR KEYNOTE
1 VIA VENSTAR SURVEYOR / LIGHTING CONTROL PANEL. SEE SHEET VS1 & VENSTAR SCOPE OF WORK (S.O.W.)



EXISTING CONDITIONS NOTES

1. THE CONTRACTOR IS OBLIGATED TO INSPECT FOR EXISTING CONDITIONS/INSTALLATIONS AND AVAILABLE INFORMATION PRIOR TO SUBMITTING A BID, REFER TO SPECIFICATIONS ALSO.
2. EXISTING INSTALLATIONS (SUCH AS WATER MAINS/LINES, GAS MAINS/LINES, SEWER MAINS/LINES, TELEPHONE LINES, POWER LINES, AND UTILITY STRUCTURES IN THE VICINITY OF THE WORK TO BE DONE) ARE INDICATED ON THE DRAWINGS ONLY TO THE EXTENT THAT SUCH INFORMATION HAS BEEN MADE AVAILABLE TO OR DISCOVERED BY THE ENGINEER IN PREPARING THE DRAWINGS. THERE IS NO GUARANTEE AS TO THE ACCURACY OR COMPLETENESS OF SUCH INFORMATION, AND ALL RESPONSIBILITY FOR THE ACCURACY AND COMPLETENESS THEREOF IS EXPRESSLY DISCLAIMED.
3. THE CONTRACTOR SHALL BE SOLELY RESPONSIBLE FOR LOCATING ALL EXISTING INSTALLATIONS.
4. ANY DELAY, ADDITIONAL WORK, FEES OR EXTRA COST TO THE CONTRACTOR CAUSED BY OR RESULTING FROM DAMAGE TO OR MODIFICATION OF EXISTING INSTALLATIONS BY THE CONTRACTOR OR AFFECTED UTILITY COMPANY SHALL NOT CONSTITUTE A CLAIM FOR EXTRA WORK, ADDITIONAL PAYMENT OR DAMAGES.
5. THE CONTRACTOR SHALL FIELD VERIFY ALL EXISTING CONSTRUCTION PRIOR TO SUBMITTING HIS BID. NO EXTRAS WILL BE PAID DUE TO UNANTICIPATED EXISTING CONDITIONS/INSTALLATIONS.

UTILITIES CONTACTS:

ELECTRIC: :CHELCO; QUINTIN BETTIS 850-892-2111
 TELEPHONE: :COX COMMUNICATIONS; 850-478-0200
 WATER: :CITY OF FREEMONT, FL; LARRY TUGGLE 850-880-8503
 SEWER: :CITY OF FREEMONT, FL; ROBERT FAWCETT 850-835-4544

NEW UTILITIES

W	WATER SERVICE	P.O.C. = POINT OF CONNECTION BETWEEN SITE PIPING (SPEC 02700) AND BUILDING PIPING (SPEC 21 13 13, 22 00 00), AS NECESSARY - SPEC 21 13 13 DENOTES LANDSCAPE IRRIGATION).
UGE	UNDERGROUND ELECTRIC	
UGT	UNDERGROUND PHONE	
S	SANITARY SEWER	
OHE	OVERHEAD ELECTRIC	
OHP	OVERHEAD PHONE	
GS	GAS SERVICE (BY GAS CO.)	
SAW CUT	SAW CUT	
BORE	BORE	
GRAVEL	GRAVEL	

CONTRACTOR CAUTION!
VERIFY SEWER LINE ELEVATION

BEFORE STARTING ANY BUILDING PAD GRADING AND PLUMBING WORK, THE CONTRACTOR SHALL FIELD VERIFY LOCATION, MATERIAL, CONDITION, ACCESSIBILITY (INCLUDING STAIRS, HIGHWAYS OR OTHER OBSTACLES-OFF-WAY) AND WORKABLE FLOW LINE ELEVATION OF THE EXISTING SANITARY SEWER SERVICE LINE OR MAIN.

IF A WORKABLE FLOW LINE HAS NOT BEEN ESTABLISHED AT THE TIME OF FINAL SANITARY SEWER SERVICE CONNECTION, THEN THE CONTRACTOR SHALL BE RESPONSIBLE FOR ANY EXPENSES ASSOCIATED WITH THE INSTALLATION OF A NEW GREATER PIPE SYSTEM EQUAL TO "ENVIRONMENT ONE" #DH152, PHONEX 15-546-6161 TO MEET OWNER AND LOCAL REQUIREMENTS.

TELEPHONE SERVICE REQUIREMENTS

SPECIAL NOTE: NEW PHONE SERVICE TO BUILDING SHALL BE AN UNDERGROUND SERVICE. CONTRACTORS TO SCHEDULE INSTALLATION OF U/G TELEPHONE SERVICE CONDUIT WITH OWNER. CONTACT (417) 874-7288.

2" PVC SCHEDULE 40 CONDUIT WITH RIGID GALVANIZED STEEL LONG SWEEP BENDS @ 18-24" DEPTH FOR PHONE SERVICE. PROVIDE MINIMUM 1/4" POLYPROPYLENE PULL LINE. PLACE CONDUIT A MINIMUM OF 12" FROM U/G ELECTRIC CONDUIT IN SAME TRENCH.

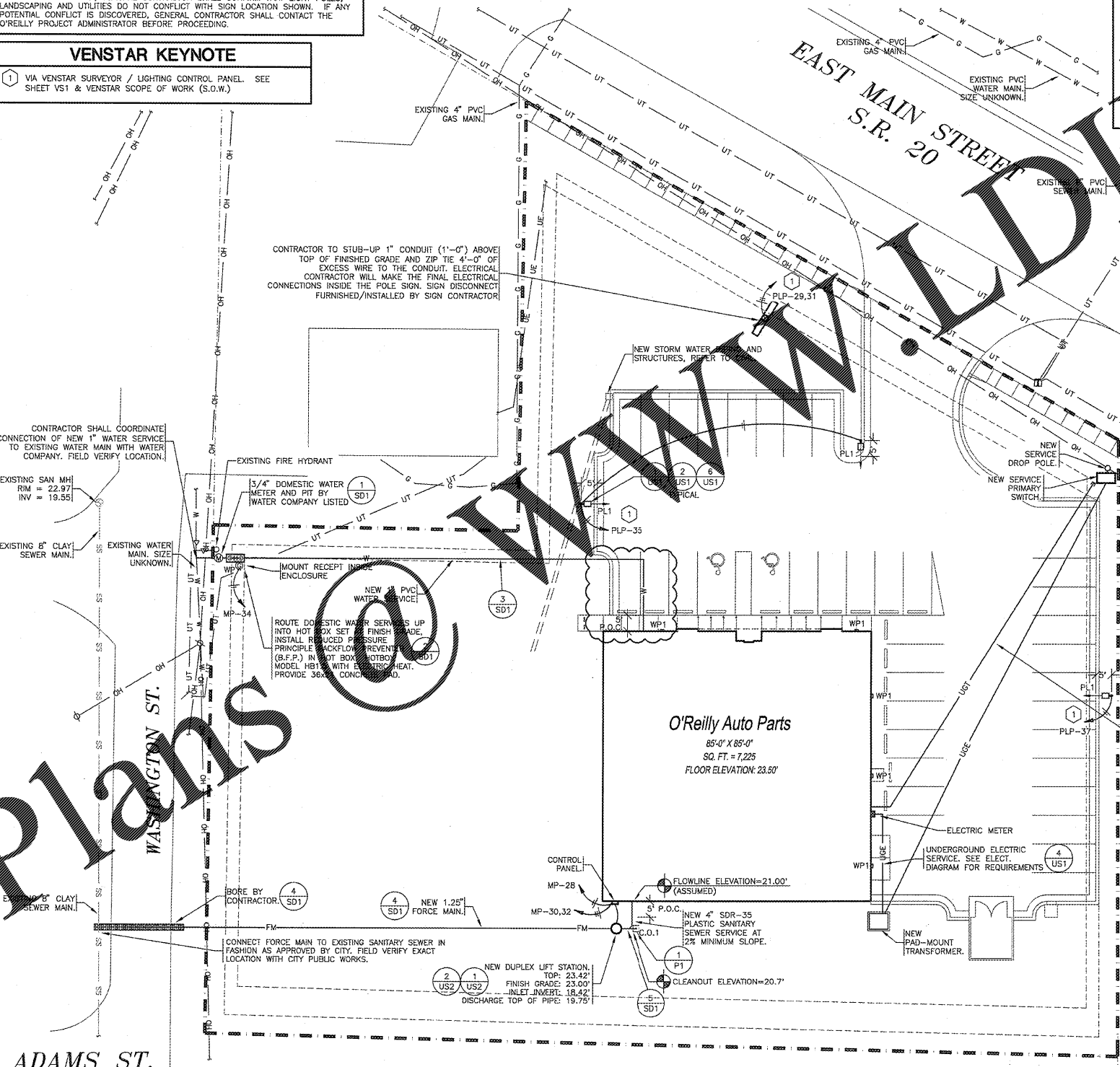
CAP END OF CONDUIT AT PROPERTY LINE BELOW FINISHED GRADE AND INSTALL CABLE MARKER FOR PHONE COMPANY, IF NECESSARY. OTHERWISE, CONTINUE PHONE SERVICE CONDUIT TO A POLE AND INSTALL RIGID GALVANIZED STEEL CONDUIT A MINIMUM 10' (ft.) ABOVE FINISHED GRADE ATTACHED TO POLE.

CONTRACTOR SHALL COORDINATE INSTALLATION AND VERIFY REQUIREMENTS WITH PHONE COMPANY, PLUS INCLUDE ALL FEES (IF ANY) BY PHONE COMPANY FOR INSTALLATION OF NO LESS THAN 10 PAIR CABLE IN MENTIONED CONDUIT, TO CONTRACTOR INSTALLED 4" X 8" X 3/4" FIRE RETARDING BACKBOARD (IF PLYWOOD, PAINT BOARD W/FIRE RETARDING PAINT) WITHIN BUILDING. CONTRACTOR TO PROVIDE #6 AWG CU. GROUND TO TELEPHONE EQUIPMENT LOCATION FROM ELECTRICAL GROUNDING ELECTRODE SYSTEM. FINAL CONNECTIONS AND INSIDE PHONE WIRING BY OWNER.

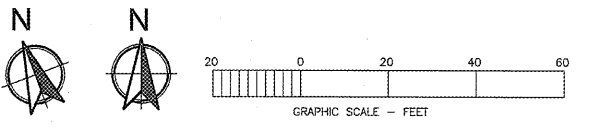
ONLY IF UNDERGROUND PHONE SERVICE IS NOT AVAILABLE-THEN MAY CONTRACTOR INSTALL APPROPRIATE OVERHEAD PHONE SERVICE RISER, WEATHER HEAD, ETC. COORDINATE WITH OWNER & PHONE CO.

STOP-CALL BEFORE YOU DIG!

811



NEW PHONE SERVICE TO BUILDING SHALL BE UNDERGROUND. GENERAL CONTRACTOR TO SCHEDULE INSTALLATION WITH OWNER. CONTACT (417) 874-7288. SEE 1.



Michael J. Kollins, P.E. #02065
 Springfield, Missouri 65804
 Phone: 417-881-0000
 Fax: 417-881-0005
 mjc@mc.com
 Michael J. Kollins & Collins, Inc.
 Mechanical & Electrical Engineers

CRAIG A. SCHNEIDER, AIA
 ARCHITECT
 1736 East Sunshine, Suite 417
 Springfield, Missouri 65804
 Phone: 417-862-8558
 Fax: 417-862-3265
 e-mail: architect@estertyschneider.com

PROJECT:
O'Reilly Auto Parts
 EAST MAIN STREET
 FREEMONT, FL
UTILITIES SITE PLAN

O'Reilly AUTO PARTS
 CORPORATE OFFICES
 233 SOUTH PATTERSON
 SPRINGFIELD, MISSOURI 65802
 (417) 862-2674 TELEPHONE

COMM #	3924
DATE:	4-11-17
REVISION	2-24-17
DATE:	4-11-17
	8-21-17