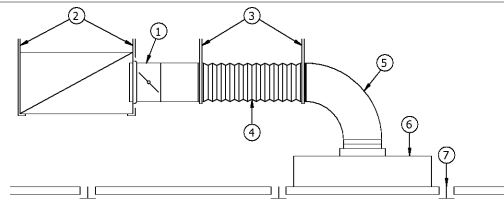


- NOTES:
- SPIN IN CONICAL BRANCH TAP FITTING WITH MANUAL VOLUME DAMPER. BRANCH RUNOUT DUCT SHALL BE THE SAME DIAMETER AS THE AIR TERMINAL INLET.
 - DUCT STRAP HANGER. ATTACH TO STRUCTURE.
 - STRAP HANGER REQUIRED IF BRANCH RUNOUT LENGTH IS GREATER THAN 4 FT.
 - MAXIMUM FLEXIBLE DUCT LENGTH IS 5 FT. FLEXIBLE DUCT SHALL BE THE SAME DIAMETER AS THE AIR TERMINAL INLET. FLEXIBLE DUCT SHALL BE INSULATED. STRETCH FLEXIBLE DUCT TO A MINIMUM OF 90% OF ITS FULLY EXTENDED LENGTH. SEAL CONNECTIONS AIR TIGHT.
 - HARD ELBOW TO AIR TERMINAL CONNECTION.
 - COMPRESSION FITTING AT AIR TERMINAL CONNECTION.
 - PROVIDE ALL CLIPS AND MARGINS REQUIRED FOR A COMPLETE INSTALLATION. COORDINATE LOCATION AND FINISH WITH OWNER/ARCHITECT.

TYPICAL SUPPLY AIR TERMINAL CONNECTION

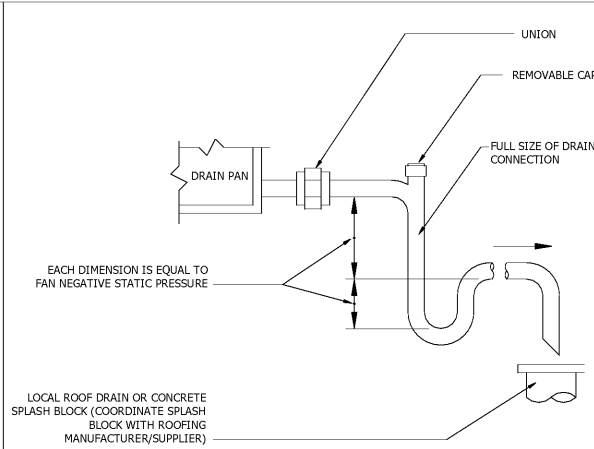
SCALE: NONE



- NOTES:
- SPIN IN CONICAL BRANCH TAP FITTING WITH MANUAL VOLUME DAMPER. BRANCH RUNOUT DUCT SHALL BE THE SAME DIAMETER AS THE AIR TERMINAL INLET.
 - DUCT STRAP HANGER. ATTACH TO STRUCTURE.
 - STRAP HANGER REQUIRED IF BRANCH RUNOUT LENGTH IS GREATER THAN 4 FT.
 - MAXIMUM FLEXIBLE DUCT LENGTH IS 5 FT. FLEXIBLE DUCT SHALL BE THE SAME DIAMETER AS THE AIR TERMINAL INLET. STRETCH FLEXIBLE DUCT TO A MINIMUM OF 90% OF ITS FULLY EXTENDED LENGTH. SEAL CONNECTIONS AIR TIGHT.
 - HARD ELBOW TO AIR TERMINAL CONNECTION.
 - SHEET METAL PLENUM. PLENUM SHALL BE SAME SIZE AS GRILLE CONNECTION.
 - PROVIDE ALL CLIPS AND MARGINS REQUIRED FOR A COMPLETE INSTALLATION. COORDINATE LOCATION AND FINISH WITH OWNER/ARCHITECT.

TYPICAL RETURN & EXHAUST AIR TERMINAL CONNECTION

SCALE: NONE

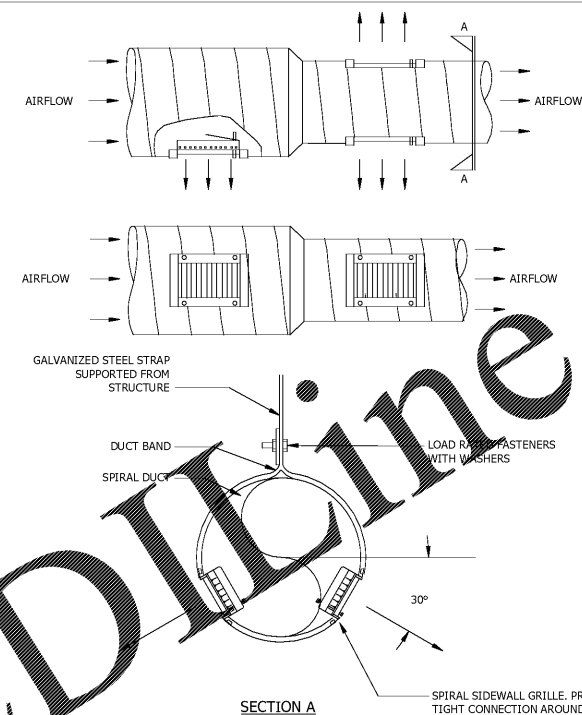


EACH DIMENSION IS EQUAL TO FAN NEGATIVE STATIC PRESSURE

LOCAL ROOF DRAIN OR CONCRETE SPLASH BLOCK (COORDINATE SPLASH BLOCK WITH ROOFING MANUFACTURER/SUPPLIER)

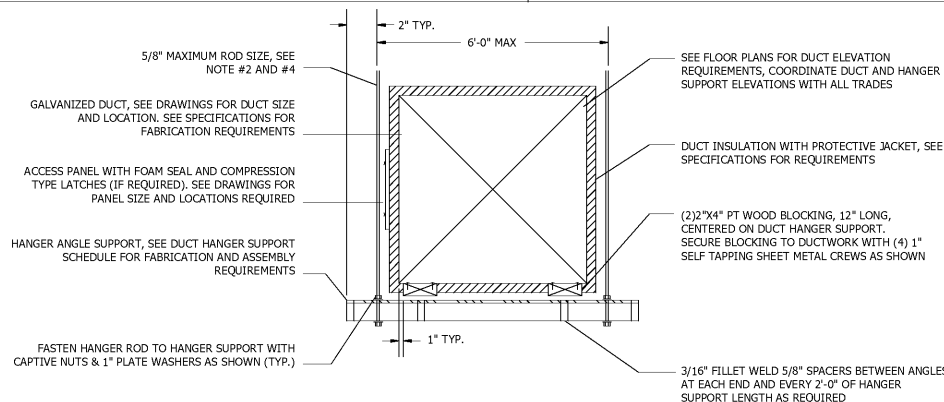
CONDENSATE DRAIN DETAIL

SCALE: NONE



SPIRAL DUCT INSTALLATION DETAIL

SCALE: NONE



DUCT HANGER SUPPORT SCHEDULE

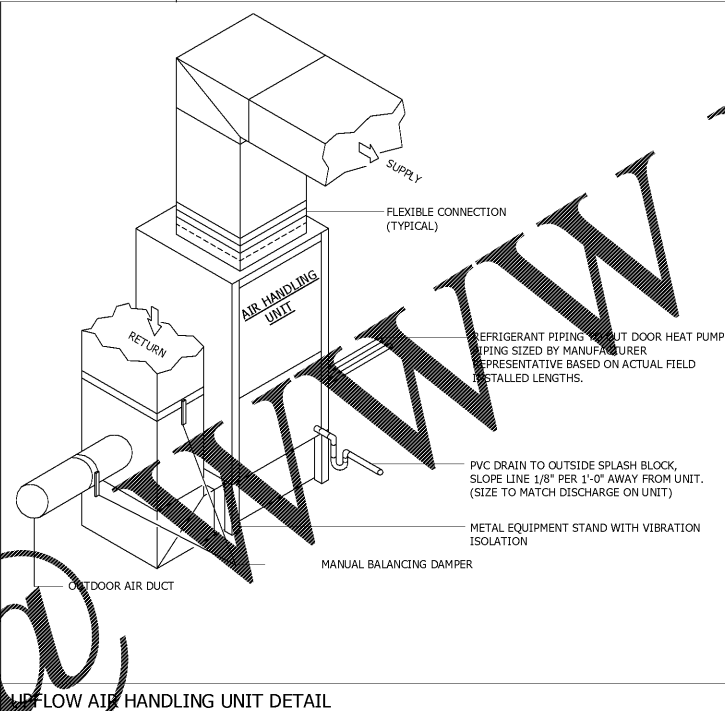
- | | |
|-------------|--|
| L4X4X1/4 | MAXIMUM ALLOWABLE JOIST SPACING 4'-0" ON CENTER, MAXIMUM LOAD 1000#. |
| L4X4X3/8 | MAXIMUM ALLOWABLE JOIST SPACING 6'-0" ON CENTER, MAXIMUM LOAD 1000#. |
| (2)L4X4X1/4 | MAXIMUM ALLOWABLE JOIST SPACING 6'-0" ON CENTER, MAXIMUM LOAD 1500#. ALL FASTENERS AND HANGER RODS SHALL BE LOCATED BETWEEN ANGLE LEGS AS SHOWN. |

NOTES:

- DUCT HANGER SUPPORT CARRYING WEIGHT SHALL NOT EXCEED 1500#, SEE DUCT HANGER SUPPORT SCHEDULE. SEE SPECIFICATIONS FOR SPAN REQUIREMENTS BETWEEN DUCT HANGER SUPPORT.
- SEE HANGER DETAILS TO DETERMINE STRUCTURAL ATTACHMENT METHOD, HANGER SELECTION SHALL BE DETERMINED BY POINT LOAD REQUIREMENTS AND NOT OVERALL DUCT HANGER SUPPORT CARRYING WEIGHT.
- COORDINATE DUCT ROUTING AND SUPPORT SYSTEM LOCATION WITH STRUCTURAL DRAWINGS, NOTIFY THE ENGINEER OF ANY FIELD RELOCATION.
- SIZE HANGER RODS FOR APPLIED LOADS WITH A SAFETY FACTOR OF THREE (3), MINIMUM ROD SIZE 3/8"Ø.

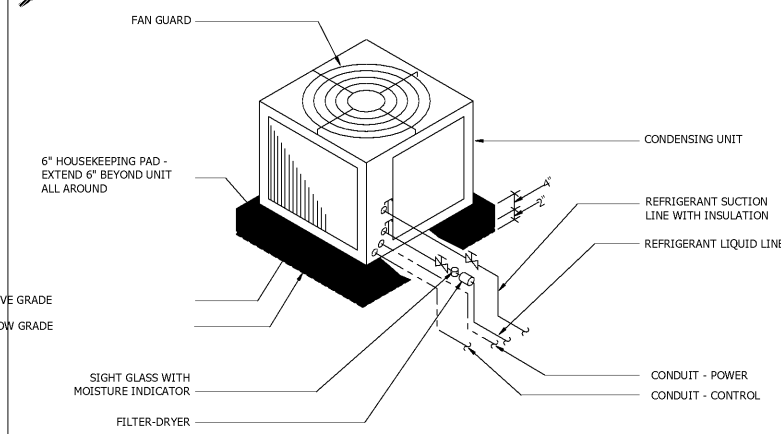
DUCT HANGER SUPPORT DETAIL

SCALE: NONE



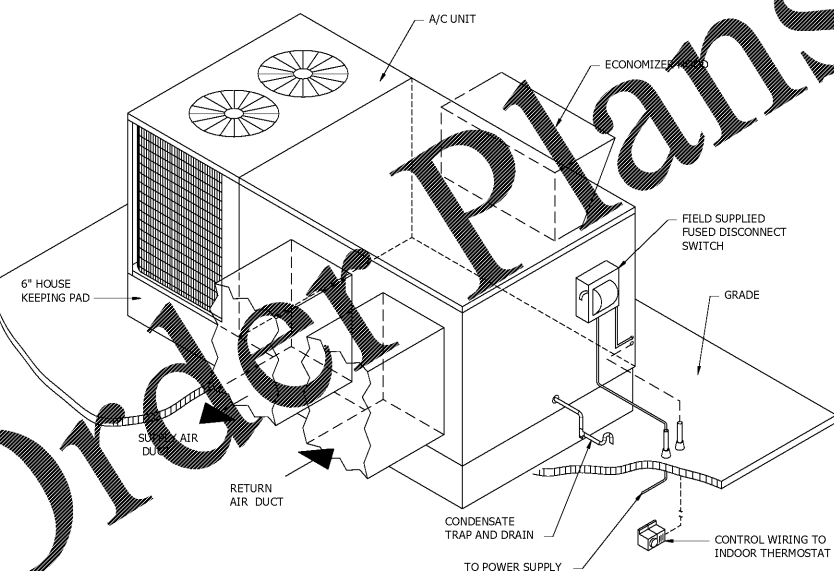
UPFLOW AIR HANDLING UNIT DETAIL

SCALE: NONE



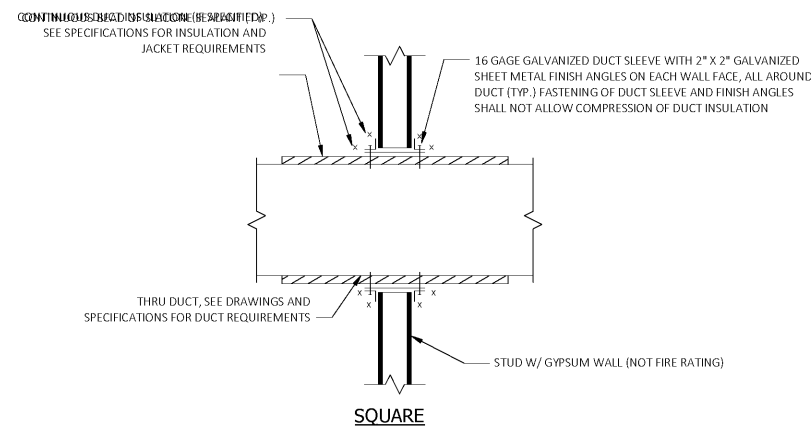
CONDENSING UNIT - SLAB MOUNTED AT GRADE

SCALE: NONE



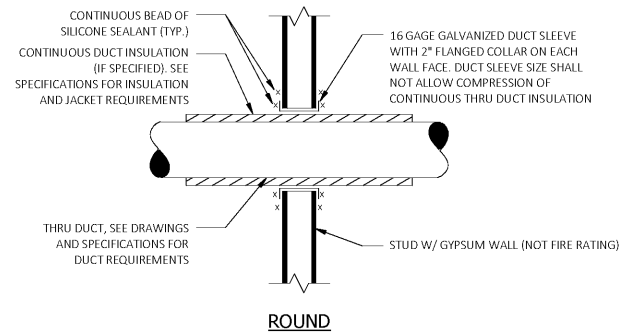
PACKAGED HVAC UNIT DETAIL WITH HORIZONTAL SUPPLY AND RETURN DUCTS

SCALE: NONE



DUCT WALL PENETRATION DETAIL

SCALE: NONE



THRU DUCT, SEE DRAWINGS AND SPECIFICATIONS FOR DUCT REQUIREMENTS

STUD W/ GYPSUM WALL (NOT FIRE RATING)

Last Plotted: 11/26/2018 4:16:57 PM

Order Plans

@

WWW.LDOnline.com

WWW.LDOnline.com

franklin architects
 141 Mark Street P.O. Box 4048
 Chattanooga, TN 37405
 v: 423.266.1207 f: 423.266.1216

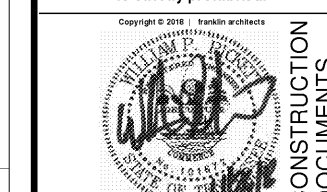
In association with:
 Project No. 150-18

A.E.E.D., inc.
 Advanced Energy
 Engineering & Design, Inc.
 408 McCallie Ave
 Chattanooga, TN 37402
 www.aeedinc.com
 (423) 752-3438

**CCS Gym
 Expansion + Spirit
 Store**
 for
**Chattanooga
 Christian School**

3354 Charger Dr.
 Chattanooga, TN 37409

This drawing is the property of
 Franklin Associates Architects Inc.
 Any use, reuse, reproduction, display
 or sale of this drawing without the
 express written consent of the Architect
 is strictly prohibited.



Revisions		
No.	Issue	Date

Sheet Information	
Date	11.26.2018
Job No.	6774.3 / 6774.4
Title	

**MECHANICAL
 DETAILS**

Sheet
M500