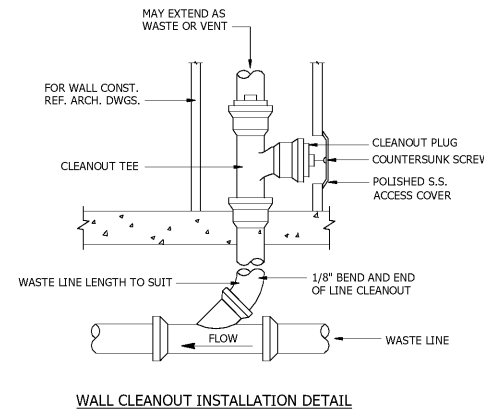
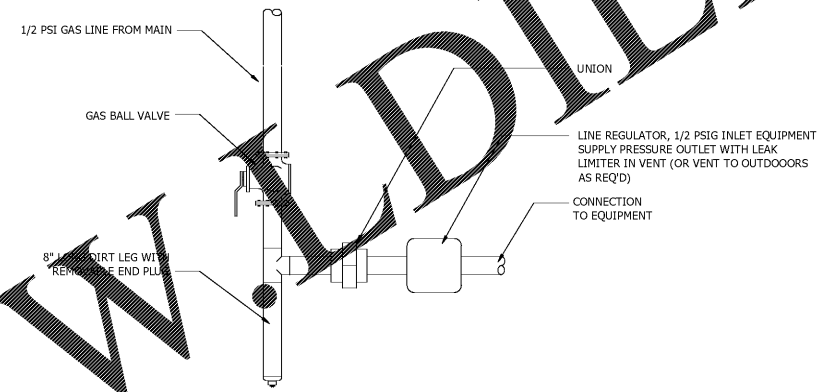


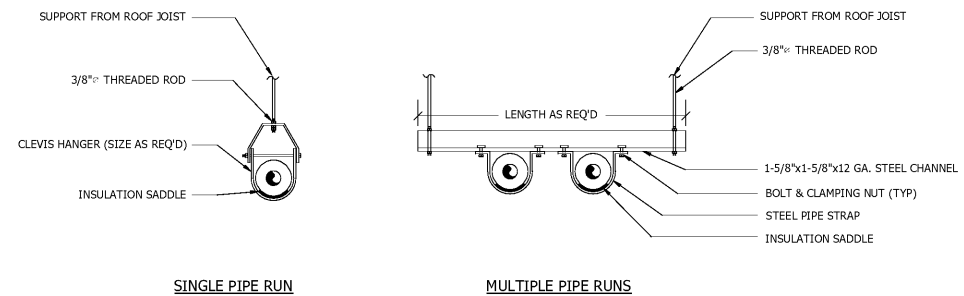
PLUMBING FIXTURE SCHEDULE										
ITEM	DESCRIPTION	MANUFACTURER	CATALOG #	SUPPLIES	WASTE	TRAP	ROUGH-IN (INCHES)			
							C.W.	H.W.	WASTE	VENT
SK-1	42" X 22" X 7-5/8", 18ga STAINLESS STEEL DOUBLE BOWL DROP IN SINK	ELKAY	LR4322	ZURN Z9908.530.0.19.E6.0 8" CC FAUCET WITH WRIST BLADE HANDLES, 5-3/8" GOOSENECK SPOUT; 1-1/2" CAST BRASS P-TRAP WITH CLEAN OUT; 1/2" NOM X 3/8" OD STOPS WITH COPPER TUBE SUPPLY LINES AND ESCUTCHEONS		P-TRAP	1/2"	1/2"	2"	1-1/2"
SK-2	56-1/2" x 24", 14ga STAINLESS STEEL DOUBLE BOWL UTILITY SINK WITH 18" LEFT DRAIN BOARD	ADVANCED TABCO	FS-2-1818-18L	ADVANCED TABCO K-101 8" CENTER, 8" SWING SPOUT SPLASH MOUNT FAUCET		P-TRAP	3/4"	3/4"	3"	1-1/2"
L-1	SELECTION BY OWNER	-	-	ZURN Z81000-XL WITH GRID DRAIN		P-TRAP	1/2"	1/2"	2"	1-1/2"
FPHB	FREEZE PROOF HOSE BIBB, RECESSED BOX LOOSE KEY TYPE WITH INTEGRAL VACUUM BREAKER	ZURN	Z1320	-		-	3/4"			
WCO	WALL CLEANOUT ROUND SS ACCESS COVER WITH SECURING SCREEN	ZURN	Z1441	-		-				



CLEANOUT INSTALLATION DETAILS  
SCALE: NONE



GAS CONNECTION DETAIL  
SCALE: NONE



PIPING SUPPORT INSTALLATION DETAILS  
SCALE: NONE

franklin architects  
1413 Market Street P.O. Box 4048  
Chattanooga, TN 37405  
V: 423.266.1207 F: 423.266.1216

In association with:  
Project No. 150-18

**A.E.E.D., inc.**  
Advanced Energy  
Engineering & Design, Inc.  
408 McCalle Ave  
Chattanooga, TN 37402  
www.aeedinc.com  
(423) 752-3438

CCS Gym  
Expansion + Spirit  
Store  
for  
**Chattanooga  
Christian School**

3354 Charger Dr.  
Chattanooga, TN 37409

This drawing is the property of  
Franklin Associates Architects Inc.  
Any use, reuse, reproduction, display  
or sale of this drawing without the  
express written consent of the Architect  
is strictly prohibited.



Revisions		
No.	Issue	Date

Sheet Information	
Date	11.26.2018
Job No.	6774.3 / 6774.4
Title	

**PLUMBING**

SCHEDULES &  
DETAILS

Sheet  
**P300**

Last Plotted: 11/26/2018 4:16:29 PM

Order Plans @