

In association with:

CCS Gym
 Expansion + Spirit
 Store

for
**Chattanooga
 Christian School**



3354 Charger Dr.
 Chattanooga, TN 37409

This drawing is the property of
 Franklin Associates Architects Inc.
 Any use, reuse, reproduction, display
 or sale of this drawing without the
 express written consent of the Architect
 is strictly prohibited.

Copyright © 2018 | franklin architects



Construction
 Documents

Revisions		
No.	Issue	Date

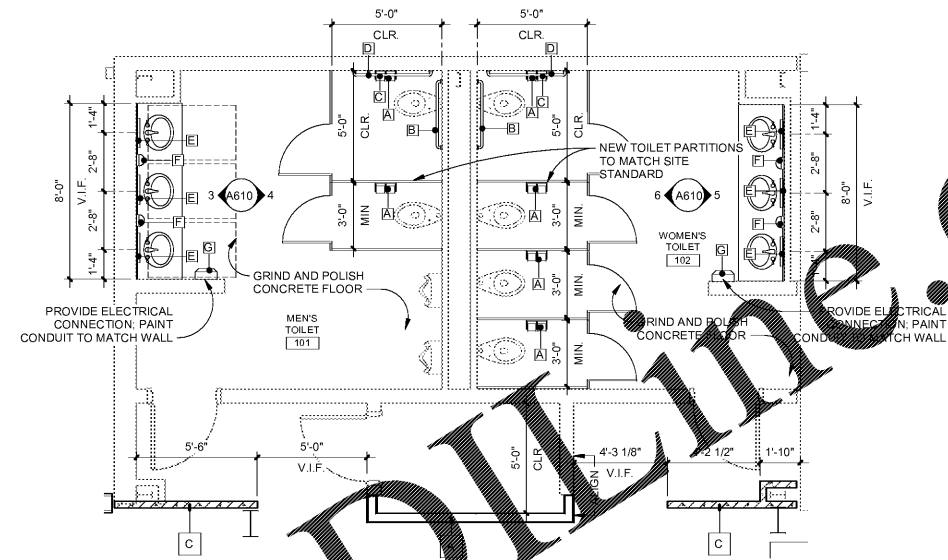
Sheet Information		
Date	11/26/18	
Job No.	6774.3 / 6774.4	
Title		

ARCHITECTURAL

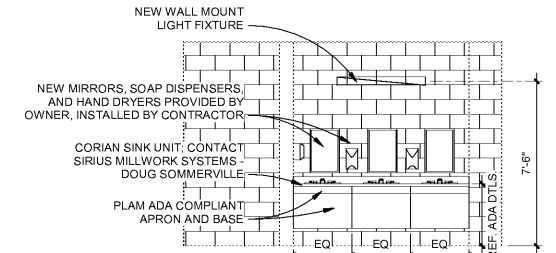
GYM ENLARGED
 PLANS + INTERIOR
 ELEVATIONS

Sheet

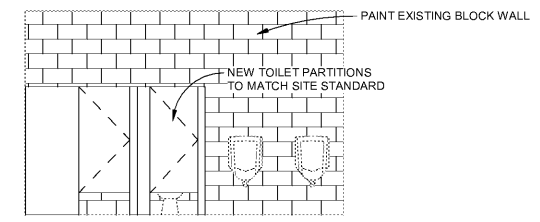
A610



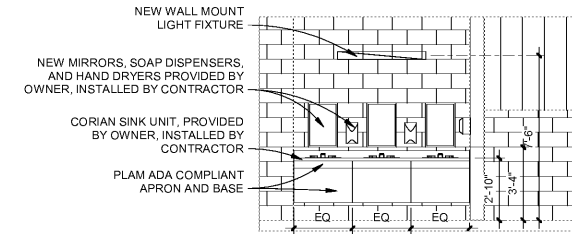
2 GYM ADDITION TOILETS
 SCALE: 1/4" = 1'-0"



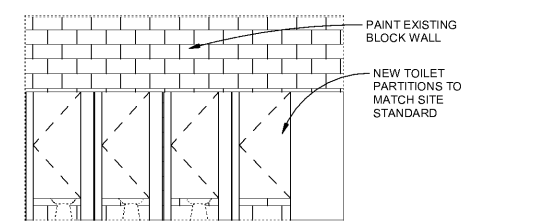
3 MEN'S TOILET - LAVATORIES
 SCALE: 1/4" = 1'-0"



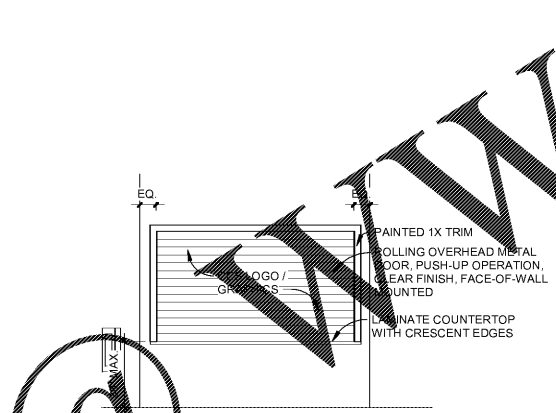
4 MEN'S TOILET - PARTITIONS
 SCALE: 1/4" = 1'-0"



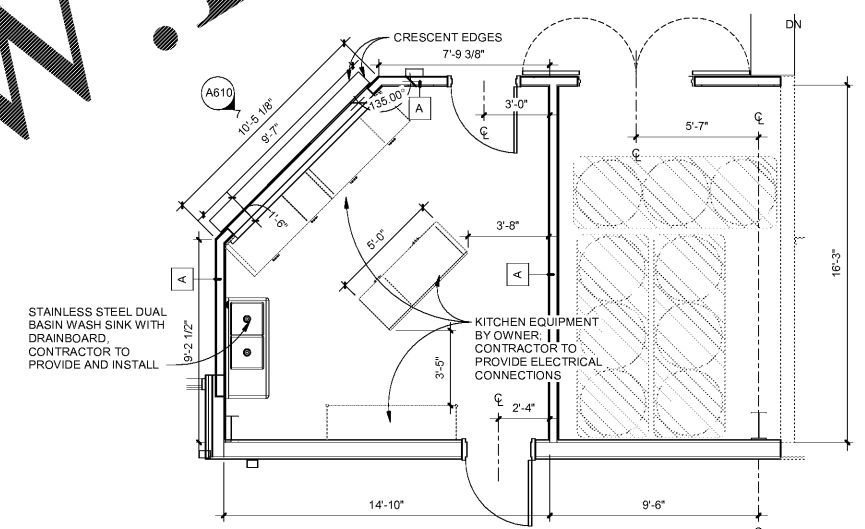
5 WOMEN'S TOILET - LAVATORIES
 SCALE: 1/4" = 1'-0"



6 WOMEN'S TOILET - PARTITIONS
 SCALE: 1/4" = 1'-0"

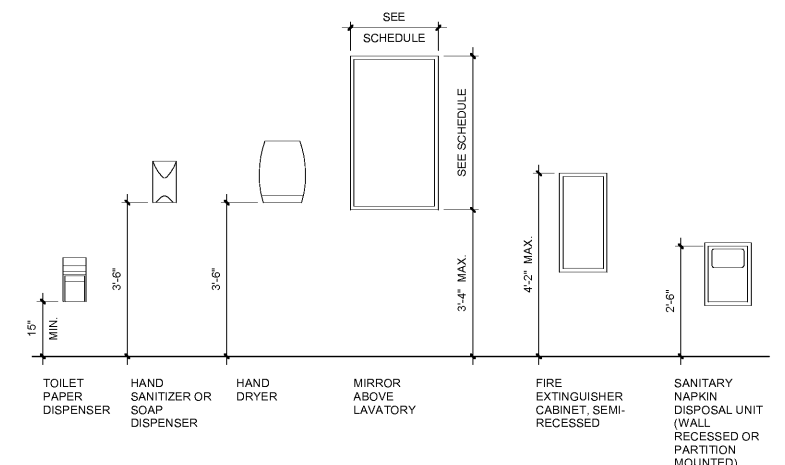


7 CONCESSIONS COUNTER
 SCALE: 1/4" = 1'-0"

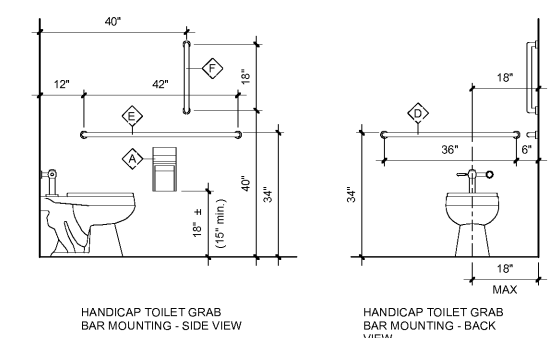


1 CONCESSIONS AND STORAGE PLAN
 SCALE: 1/4" = 1'-0"

TOILET ACCESSORY SCHEDULE			
MARK	DESCRIPTION	OS, CI	CS, CI
A	TOILET PAPER DISPENSER, SITE STANDARD		Y
B	1-1/2" X 36" S.S. GRAB BAR AT 2'-9" A.F.F.		Y
C	1-1/2" X 42" S.S. GRAB BAR AT 2'-9" A.F.F. - Bobrick B-5806 X 42		Y
D	1-1/2" X 18" S.S. VERTICAL GRAB BAR AT 3'-4" A.F.F.		Y
E	18" X 24" FRAMELESS MIRROR		Y
F	SOAP DISPENSE, SITE STANDARD	Y	
G	HAND DRYER, SITE STANDARD	Y	



TYPICAL ACCESSORY MOUNTING HEIGHTS



TYPICAL ADA TOILET MOUNTING HEIGHTS

Last Plotted: 11/28/2018 1:44:03 PM

Order Plans