

In association with:

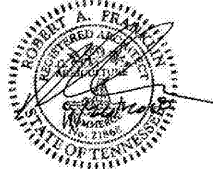
CCS Gym  
 Expansion + Spirit  
 Store  
 for  
**Chattanooga  
 Christian School**



3354 Charger Dr.  
 Chattanooga, TN 37409

This drawing is the property of  
 Franklin Associates Architects Inc.  
 Any use, reuse, reproduction, display  
 or sale of this drawing without the  
 express written consent of the Architect  
 is strictly prohibited.

Copyright © 2018 | franklin architects



Construction Documents

Revisions		
No.	Issue	Date

Sheet Information

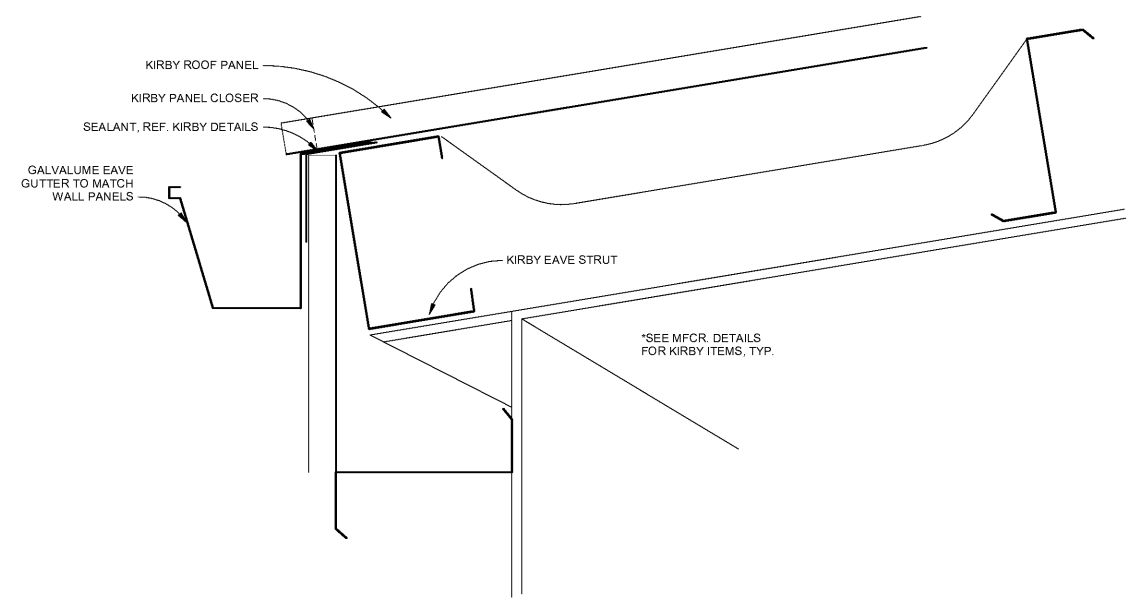
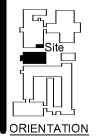
Date	11/26/18
Job No.	6774.3 / 6774.4

ARCHITECTURAL

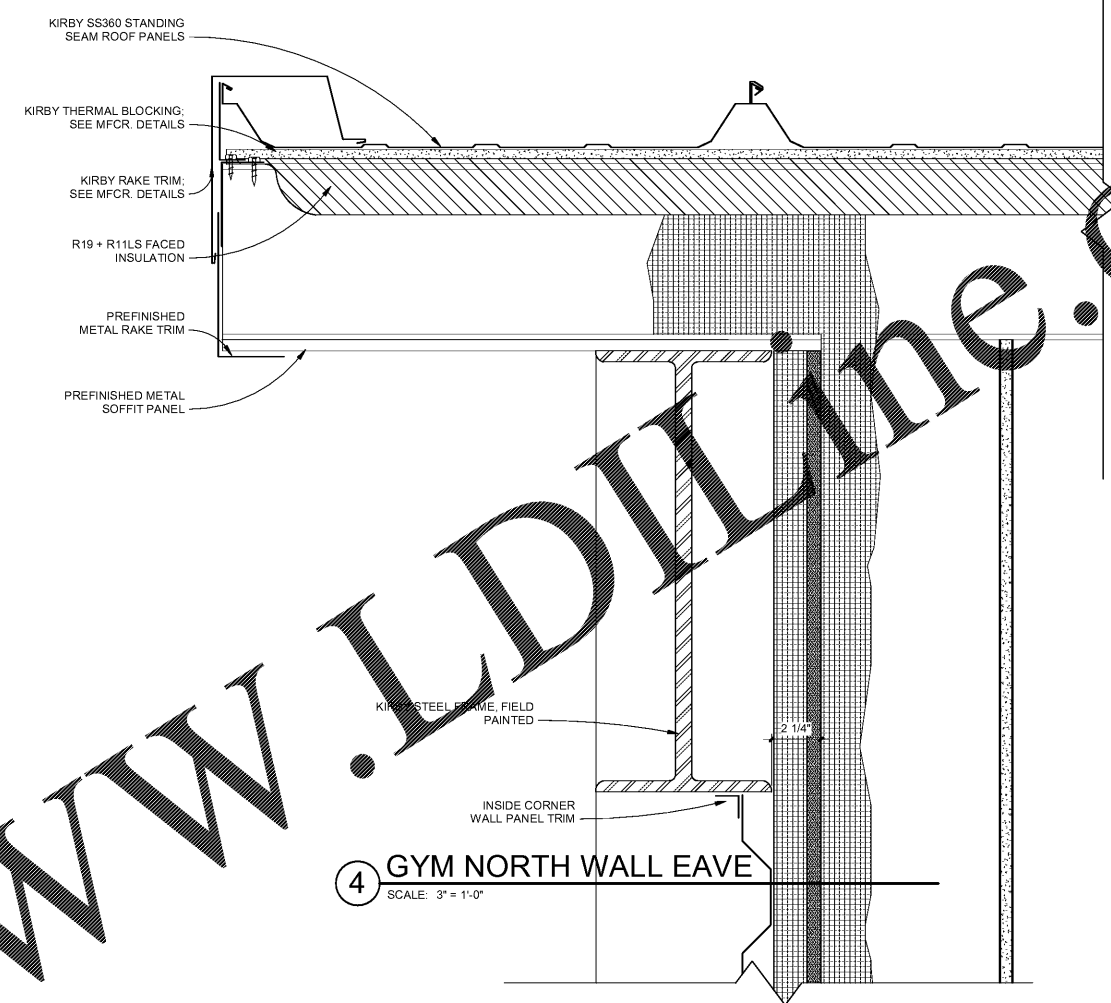
GYM WALL SECTION  
 DETAILS

Sheet

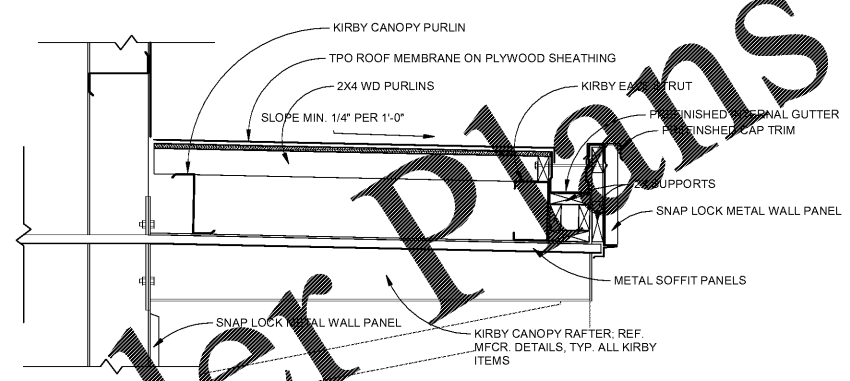
A501



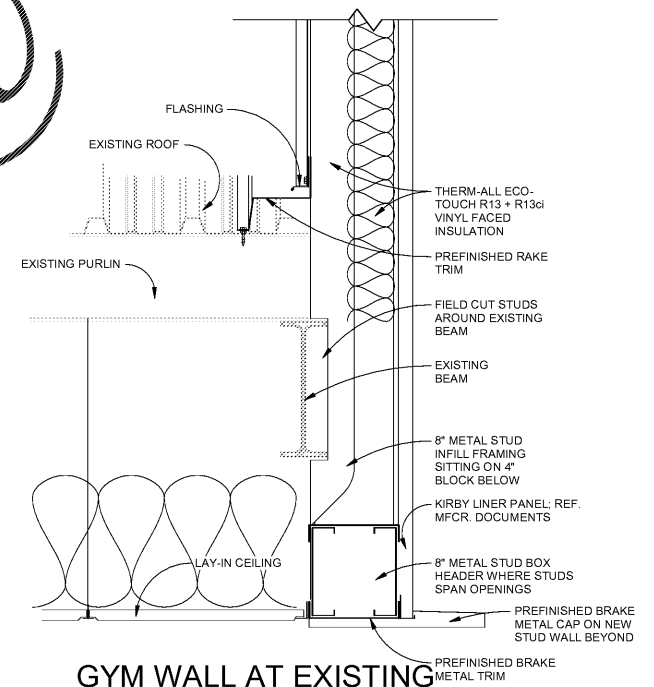
5 TYPICAL EAVE DETAIL  
 SCALE: 3" = 1'-0"



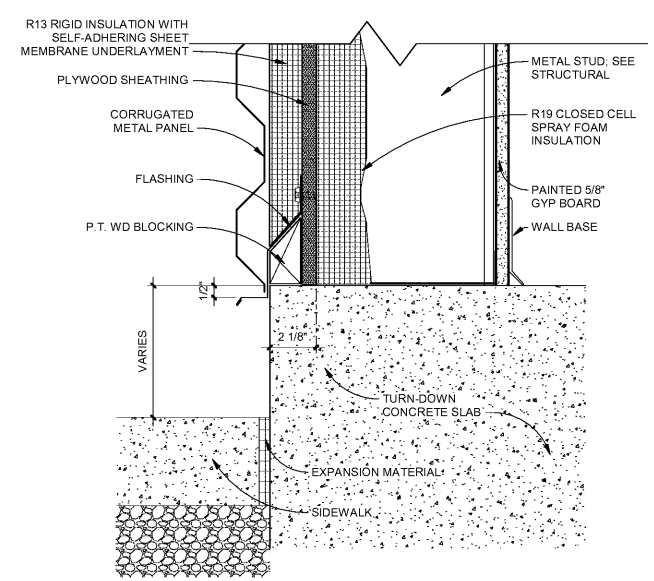
4 GYM NORTH WALL EAVE  
 SCALE: 3" = 1'-0"



1 GYM CANOPY SECTION DETAIL  
 SCALE: 1" = 1'-0"



3 GYM WALL AT EXISTING  
 ROOF CONNECTION  
 SCALE: 1 1/2" = 1'-0"



2 GYM END WALL BASE DTL.  
 SCALE: 3" = 1'-0"

Last Plotted: 11/28/2018 1:44:01 PM

Order Plans @ WWW.LDILINE.COM