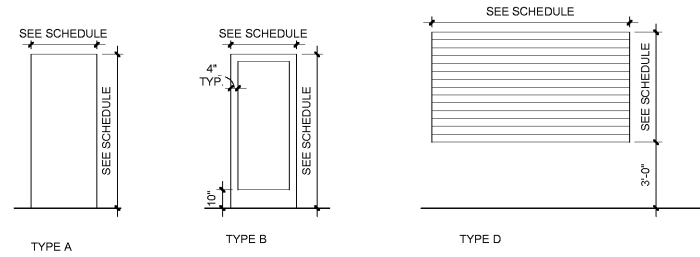
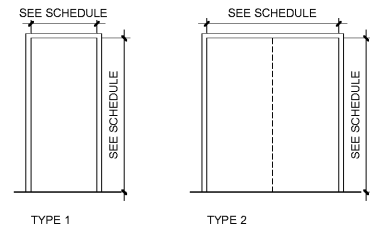


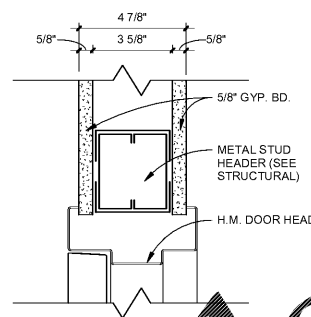
GYM ADDITION DOOR SCHEDULE																	
NUMBER	DOOR						FRAME					HARDWARE					
	TYPE	MATERIAL	FINISH	PAIR	WIDTH	HEIGHT	THICKNESS	TYPE	MATERIAL	FINISH	HEAD	JAMB	SILL	FIRE RATING	Mag Lock	SET	REMARKS
100a	B	AL	PRE	Y	6'-0"	7'-0"	1 3/4"	2	AL	PRE	-	-	-	-	Yes	1	PROVIDE PANIC HARDWARE
100b	B	AL	PRE	Y	6'-0"	7'-0"	1 3/4"	2	AL	PRE	-	-	-	-	Yes	1	PROVIDE PANIC HARDWARE
101	A	EXIST.	PRE	-	3'-0"	6'-8"	1 3/4"	1	HM	PNT	-	-	-	-	-	-	CLEAN AND REFINISH EXISTING DOOR
102	A	EXIST.	PRE	-	3'-0"	6'-8"	1 3/4"	1	HM	PNT	-	-	-	-	-	-	CLEAN AND REFINISH EXISTING DOOR
103	A	EXIST.	PRE	-	3'-0"	6'-8"	1 3/4"	1	HM	PNT	-	-	-	-	-	-	CLEAN AND REFINISH EXISTING DOOR
104a	A	HM	PNT	-	3'-0"	6'-8"	1 3/4"	1	HM	PNT	H3	J3	S3	-	-	-	THIS DOOR ONLY BY METAL BUILDING MANUFACTURER
104b	A	WD	STN	-	3'-0"	6'-8"	1 3/4"	1	HM	PNT	H1	J1	-	-	-	-	
104c	D	MTL	PRE	-	9'-0"	5'-0"	3"	-	-	-	H2	J2	S2	-	-	-	METAL ROLL-UP DOOR AT CONCESSION STAND
105	A	WD	STN	Y	5'-4"	6'-8"	1 3/4"	2	HM	PNT	H1	J1	-	-	-	-	



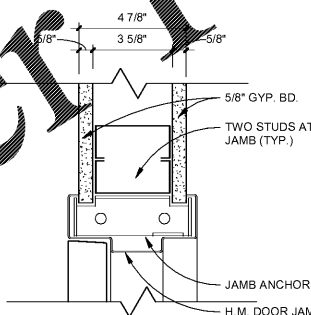
GYM ADDITION DOOR TYPES



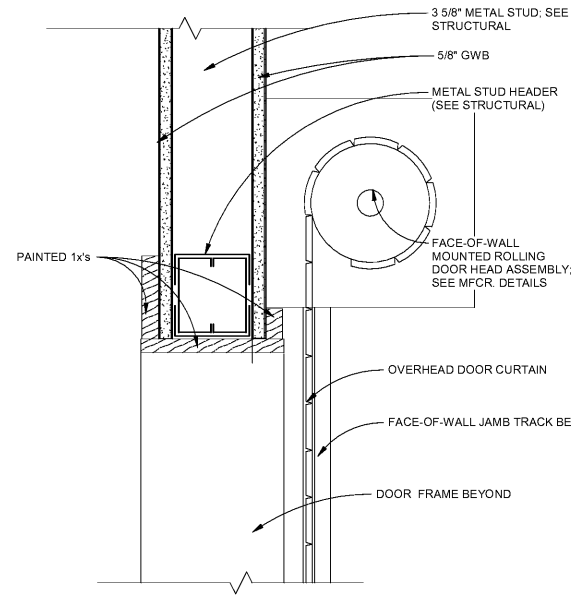
FRAME TYPES



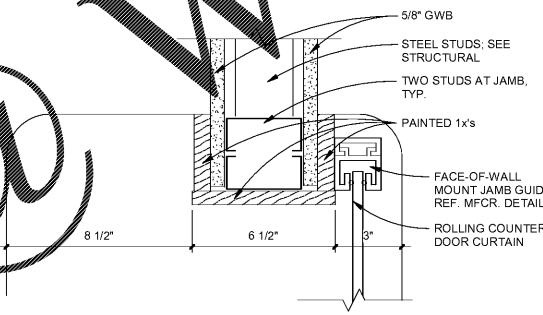
H1 HM DOOR IN STUD WALL HEAD DTL. SCALE: 3" = 1'-0"



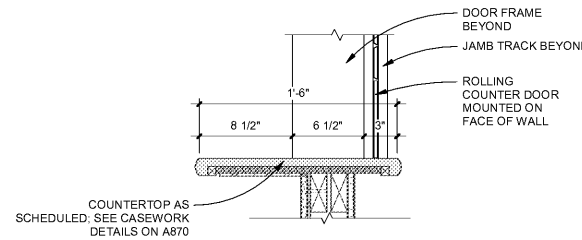
J1 HM DOOR IN STUD WALL JAMB DTL. SCALE: 3" = 1'-0"



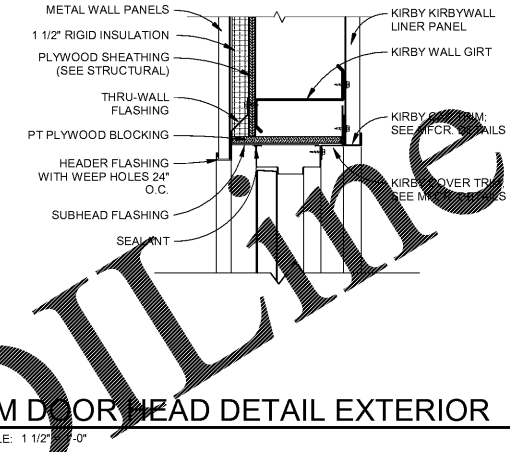
H2 O.H. DOOR HEAD DETAIL INTERIOR SCALE: 3" = 1'-0"



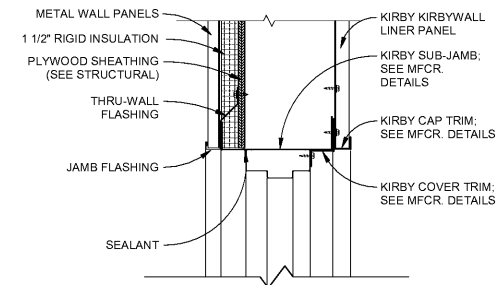
J2 O.H. DOOR JAMB DTL. INTERIOR SCALE: 3" = 1'-0"



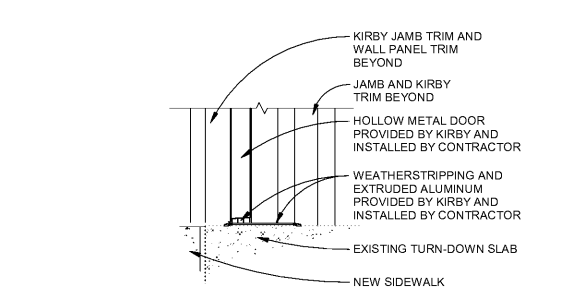
S2 O.H. DOOR SILL DTL. INTERIOR SCALE: 1 1/2" = 1'-0"



H3 HM DOOR HEAD DETAIL EXTERIOR SCALE: 1 1/2" = 1'-0"



J3 HM DOOR JAMB DETAIL EXTERIOR SCALE: 1 1/2" = 1'-0"



S3 HM DOOR SILL DETAIL EXTERIOR SCALE: 1 1/2" = 1'-0"

franklin | architects
1411 Market Street P.O. Box 4048
Chattanooga, TN 37409
V: 423.266.1207 F: 423.266.1216

In association with:

CCS Gym
Expansion + Spirit
Store

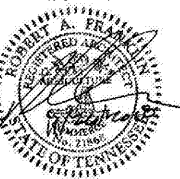
for
Chattanooga
Christian School



3354 Charger Dr.
Chattanooga, TN 37409

This drawing is the property of
Franklin Associates Architects Inc.
Any use, reuse, reproduction, display
or sale of this drawing without the
express written consent of the Architect
is strictly prohibited.

Copyright © 2018 | franklin architects



Construction
Documents

Revisions		
No.	Issue	Date

Sheet Information

Date: 11/26/18
Job No.: 6774.3 / 6774.4

Title

ARCHITECTURAL

GYM ADDITION DOOR
SCHEDULE AND
DETAILS

Sheet

A210



Order Plans