



Signed & Sealed: 08/30/18

Copyright © 2014 YSM Design, P.C.
All rights reserved. No part of this document may be reproduced or transmitted in any form or by any means, electronic or mechanical, including photocopying, recording, or by any information storage and retrieval system, without the prior written permission of YSM Design, P.C. It is to be returned upon request. Drawings are void if any void on the original drawing.

Rev	Date	Comments
	08/30/18	Permit/Bid Set

BID SET

Every Contractor or Subcontractor, by submitting a bid for this project declares that they have reviewed all aspects of this project and have included all work required to provide a complete project that meets all building codes.

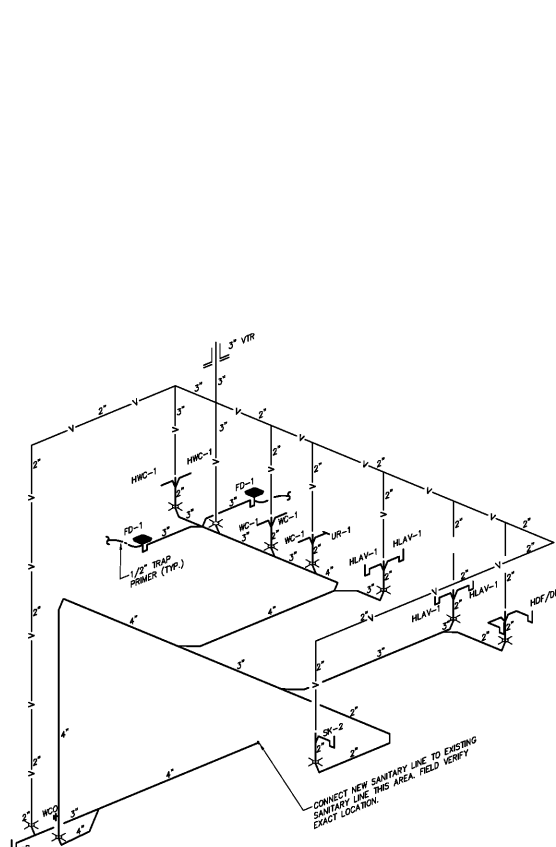
If questions or discrepancies are found between trades, these should be submitted by the General Contractor as a Request For Information before bids are due. These questions will be issued to all Bidders in Addenda. No consideration will be given after the bid date for issues that could clearly have been answered during the Bidding Period.

Information to all Bidders:
For more information about this bid, including a list of the most current documents, Instructions to Bidders, Responsibility Chart, answers to RFI, etc., go to project website. Note this address will be provided to bidders with invitation to bid.

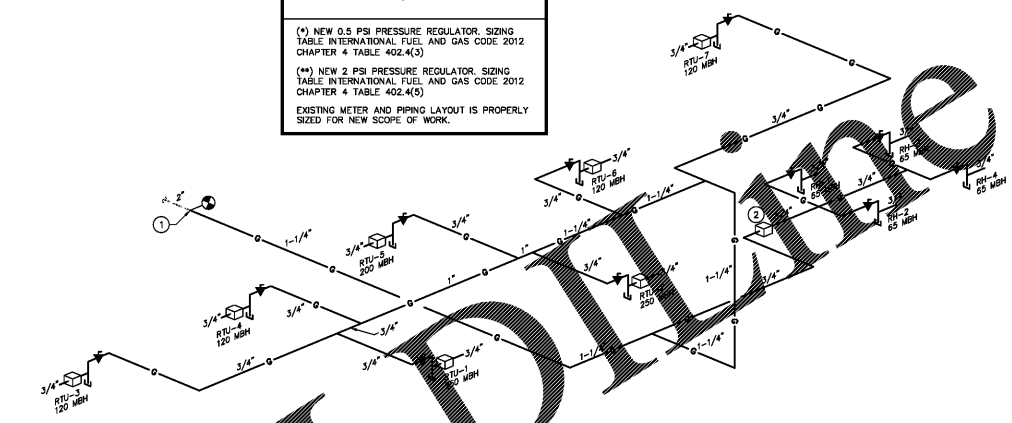
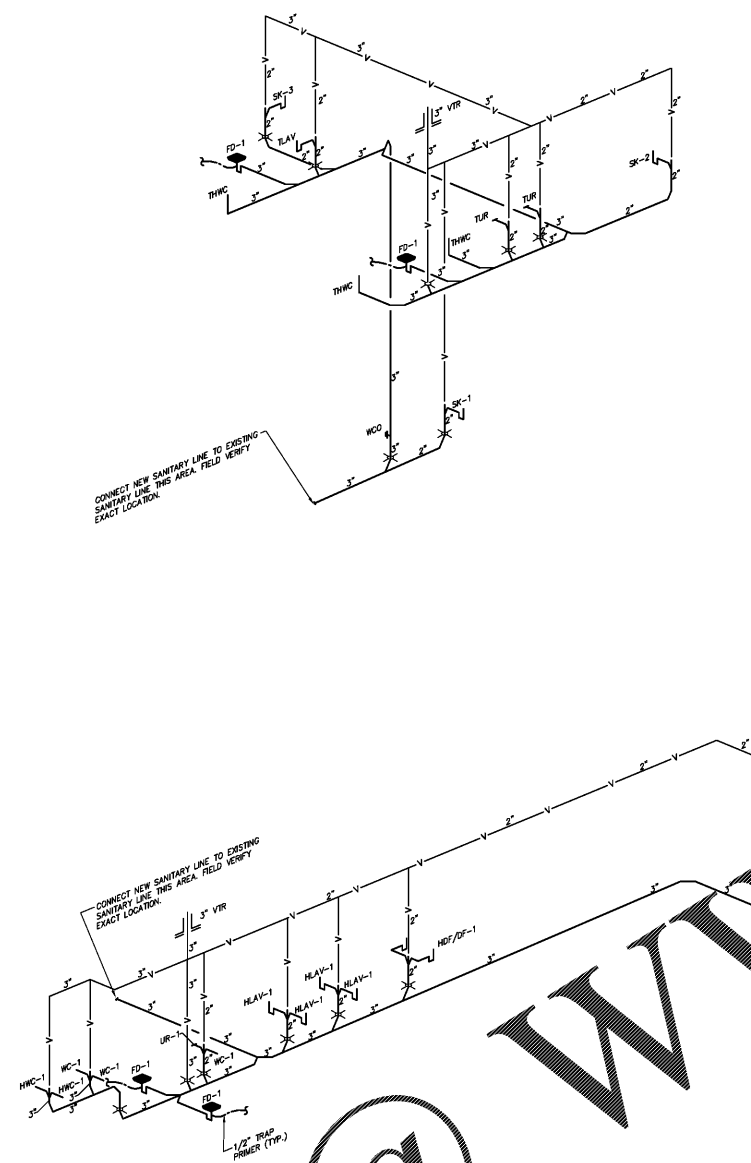
It is the responsibility of ALL Bidders to become familiar with this site and the additional information that is contained therein. If you do not have access to the internet you MUST contact your General Contractor for this information. No Change Orders will be accepted for not reviewing this information.

No consideration will be given for Change Order Requests based on any of the following:
1. Items requiring clarification but not clearly indicated as an exception on the bid list.
2. Items requiring clarification but not submitted to Architect as a request for information during bidding.
3. Items deemed to be industry standard for a particular system or assembly.
4. Items that can reasonably be inferred from contract documents.

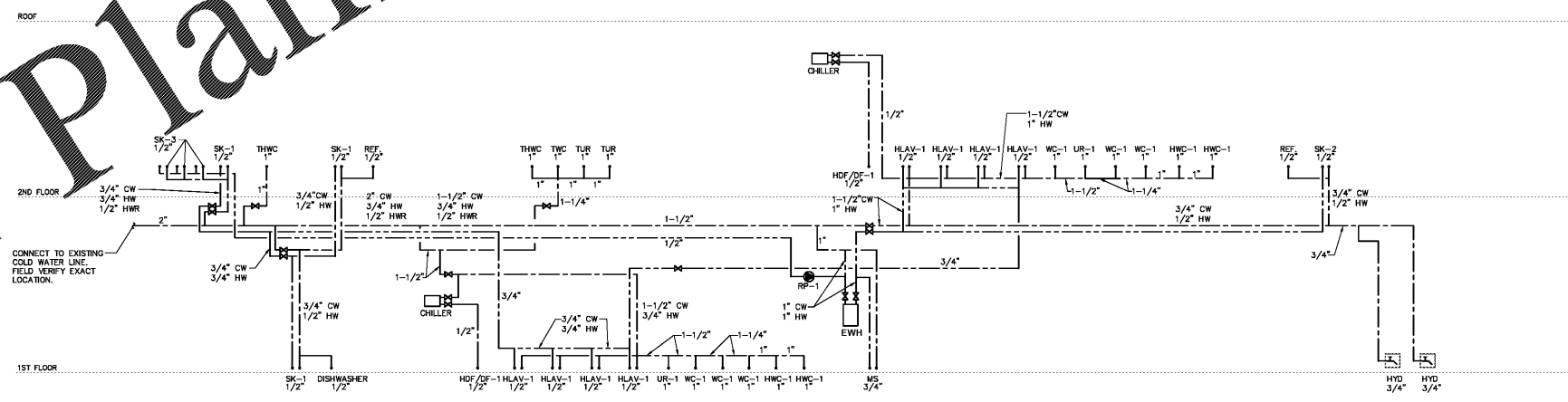
GAS KEY NOTES	
①	EXISTING 2.0 PSI LINE (**) TOTAL RUN = 325' TOTAL BTU = 1,440,000 BTUH
②	0.5 PSI REGULATOR (*) TOTAL RUN = 20' TOTAL BTU = 250,000 BTUH
(*) NEW 0.5 PSI PRESSURE REGULATOR SIZING TABLE INTERNATIONAL FUEL AND GAS CODE 2012 CHAPTER 4 TABLE 402.4(3)	
(**) NEW 2 PSI PRESSURE REGULATOR SIZING TABLE INTERNATIONAL FUEL AND GAS CODE 2012 CHAPTER 4 TABLE 402.4(5)	
EXISTING METER AND PIPING LAYOUT IS PROPERLY SIZED FOR NEW SCOPE OF WORK.	



1 SANITARY ISOMETRIC
SCALE: N.T.S.



2 GAS ISOMETRIC
SCALE: N.T.S.



3 WATER RISER
SCALE: N.T.S.

Order Plans @

WWW.LDLINE.COM



**JIM ELLIS
CADILLAC**
5880 PEACHTREE BLVD
ATLANTA, GA 30341

Project:
**JIM ELLIS
CADILLAC**

5880 PEACHTREE BLVD
ATLANTA, GA 30341

Project Number: 18020
Drawn By: GD
Checked By: DF
Approved By: SM

Sheet Title:
**PLUMBING RISERS
AND ISOMETRICS**

Sheet Number:
P501

PROMUS
SCOTT MERIWETHER, P.E.
GEORGIA LICENSE #07970
518 BLACK CANYON PARK
CANTON, GA 30114
PROJECT MANAGER: GEORGE DAVIDOV
PHONE 678.246.5164