

Signed & Sealed: 08/30/18

Copyright © 2014 YSM Design, P.C.
All rights reserved. No part of this document may be reproduced or transmitted in any form or by any means electronic or mechanical, including photocopying, recording, or by any information storage and retrieval system, without the prior written permission of YSM Design, P.C. It is the responsibility of the user to verify the accuracy of the information contained herein and to verify that it meets the requirements of the applicable code.

Rev	Date	Comments
	08/30/18	Permit/Bid Set

BID SET
Every Contractor or Subcontractor, by submitting a bid for this project declares that they have reviewed all aspects of this project and have included all work required to provide a complete project that meets all building codes.

If questions or discrepancies are found between trades, these should be submitted by the Bidding Contractor as a Request For Information before bids are due. These clarifications will be issued to all Bidders in Accordance. No consideration will be given after the bid date for issues that could clearly have been ascertained during the Bidding Period.

Information to all Bidders:
For more information about this bid, including a list of the most current documents, instructions to Bidders, Responsibility Chart, answers to RFIs, etc., go to project website. Note this address will be provided to bidders with invitation to bid.

It is the responsibility of ALL Bidders to become familiar with this site and the actual information that is contained therein. If you do not have access to the internet you MUST contact your General Contractor for this information. No Change Orders will be accepted for not reviewing this information.

No consideration will be given for Change Order Requests based on any of the following:
1. Items requiring clarification but not clearly indicated as an exception on the bid set.
2. Items requiring clarification but not submitted to be clarified as a request for information during bidding.
3. Items deemed to be industry standard for a particular system or assembly.
4. Items that can reasonably be inferred from contract documents.



JIM ELLIS CADILLAC
5880 PEACHTREE BLVD
ATLANTA, GA 30341

Project:
JIM ELLIS CADILLAC

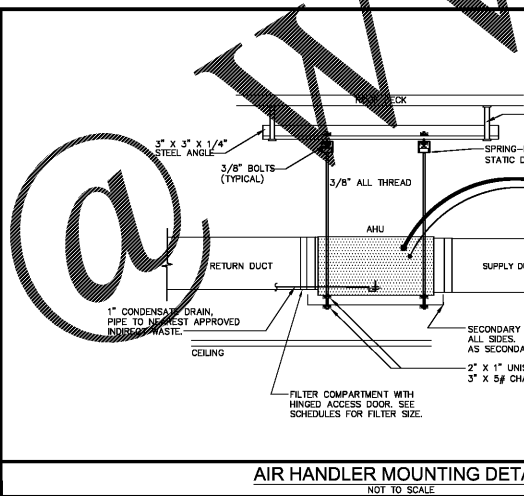
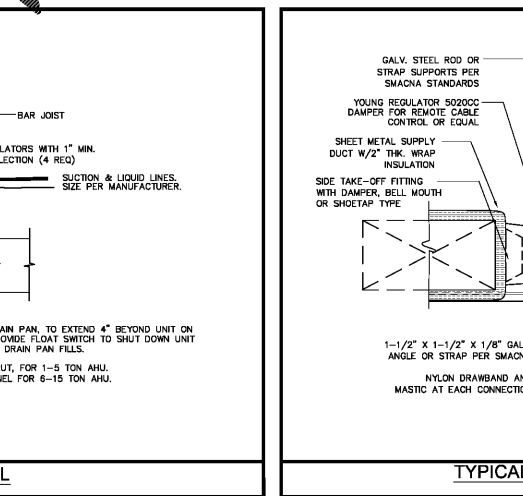
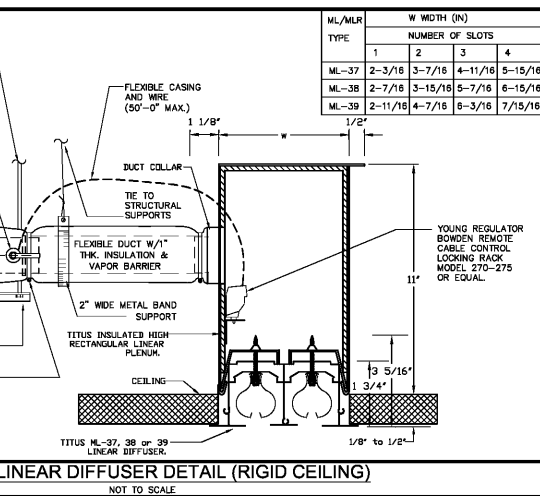
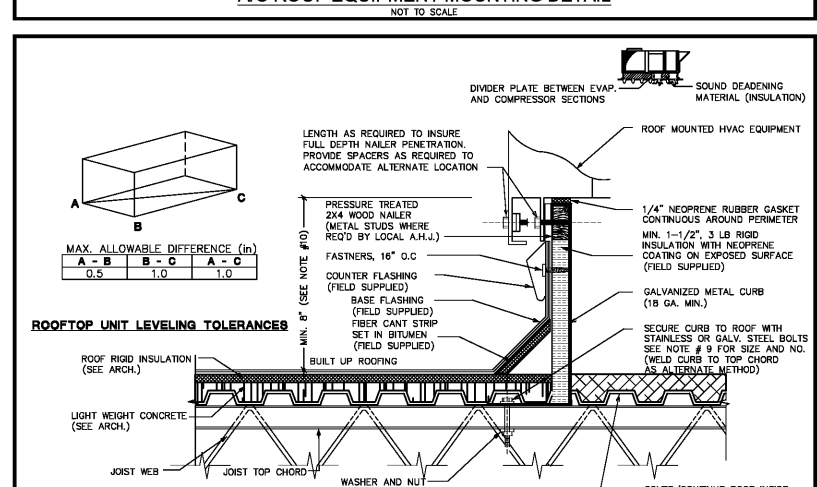
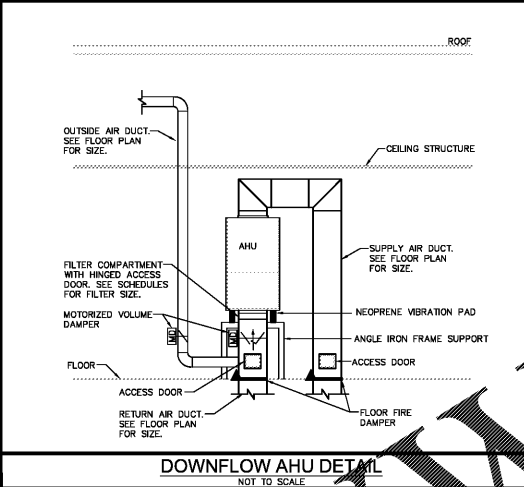
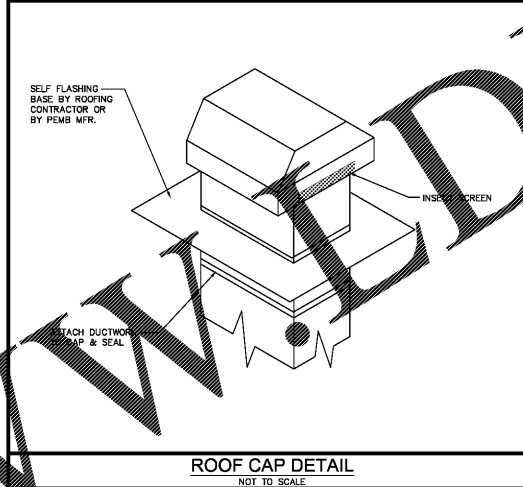
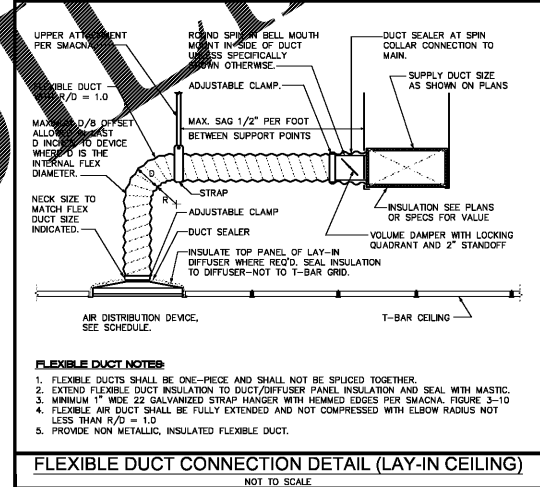
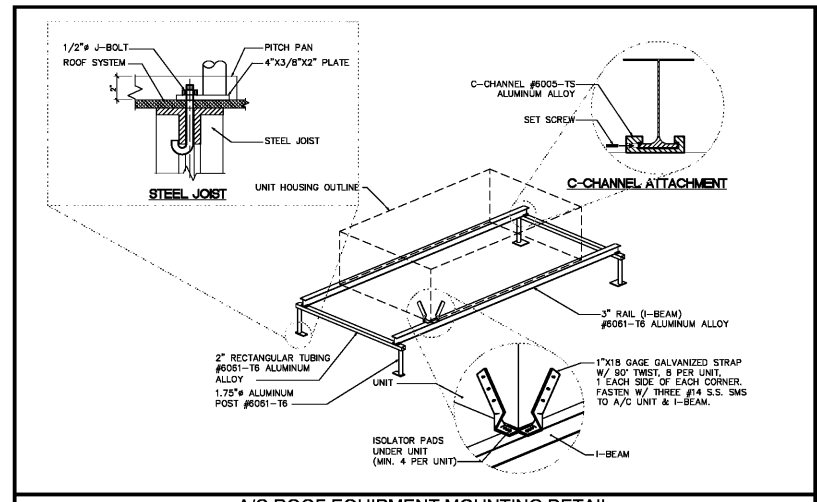
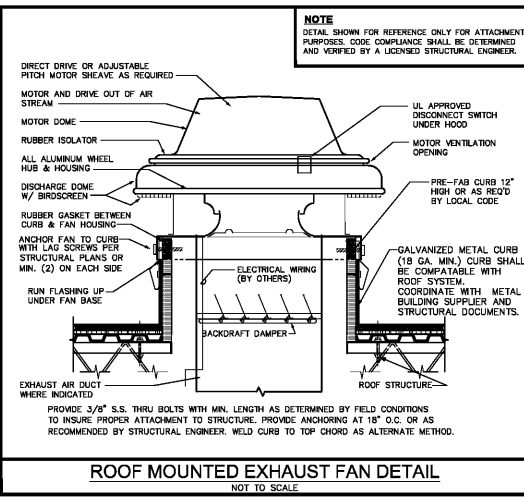
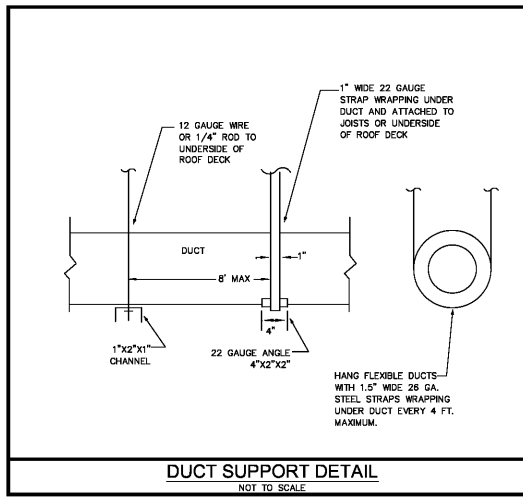
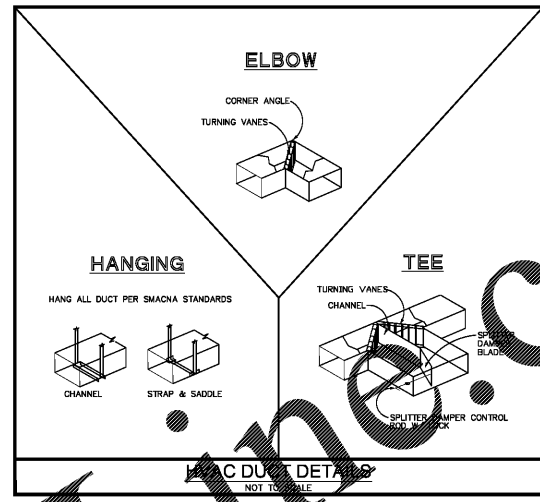
5880 PEACHTREE BLVD
ATLANTA, GA 30341

Project Number: 18020
Drawn By: GD
Checked By: DF
Approved By: SM

Sheet Title:
MECHANICAL DETAILS

Sheet Number:
M701

PROMUS
SCOTT MERIWETHER, P.E.
GEORGIA LICENSE #19790
518 BLACK CANYON PARK
CANTON, GA 30114
PROJECT MANAGER: GEORGE DAVYDOW
PHONE: 678.246.5164



Order Plans