



Signed & Sealed

Copyright © 2014 YSM Design, Inc.  
All reports, plans, specifications, computer files, text files, notes and other documents are the property of YSM Design, Inc. and shall remain the property of YSM Design, Inc. and shall not be reproduced, stored in a retrieval system, or transmitted in any form or by any means, electronic, mechanical, photocopying, recording, or by any information storage and retrieval system, without the prior written permission of YSM Design, Inc. This is to be read and interpreted as stated in any valid contract or agreement.

Rev	Date	Comments

**BID SET**  
Every Contractor or Subcontractor, by submitting a bid for this project declares that they have reviewed all aspects of this project and have included all work required to provide a complete project that meets all building codes.

If questions or discrepancies are found between these, they should be submitted by the bidding Contractor as a Request for Information before bids are due. These clarifications will be reviewed by all bidders in Atlanta. No consideration will be given after the bid date for issues that could clearly have been answered during the Bidding Period.

**Information to all Bidders**  
For more information about this bid, including a list of the most current documents, instructions to bidders, Responsibility Chart, answers to RFIs, etc., go to project website. Note this address will be provided to bidders with invitation to bid.

It is the responsibility of ALL Bidders to become familiar with this site and the additional information that is contained there. If you do not have access to the internet you MUST contact your General Contractor for this information. No Change Orders will be accepted for not reviewing this information.

No consideration will be given for Change Order Requests based on any of the following:  
1. Items requiring clarification but not clearly indicated as an exception on the initial bid.  
2. Items requiring clarification but not submitted to Architect as a request for information during bidding.  
3. Items deemed to be industry standards for a particular system or assembly.  
4. Items that can reasonably be inferred from contract documents.



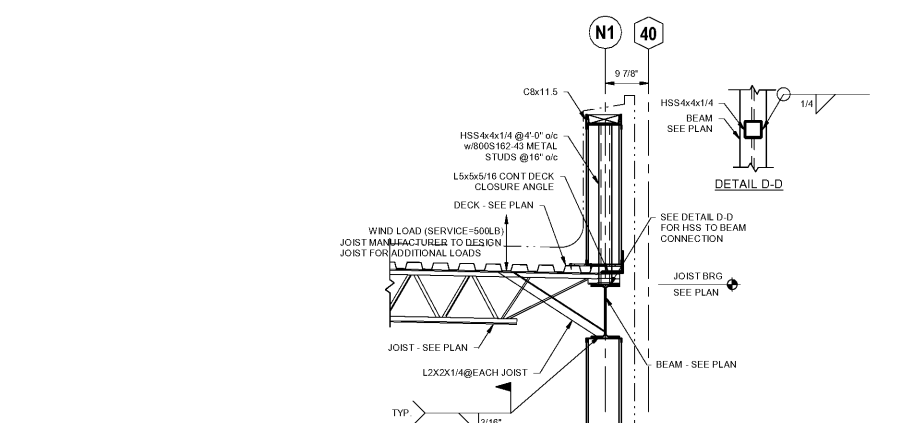
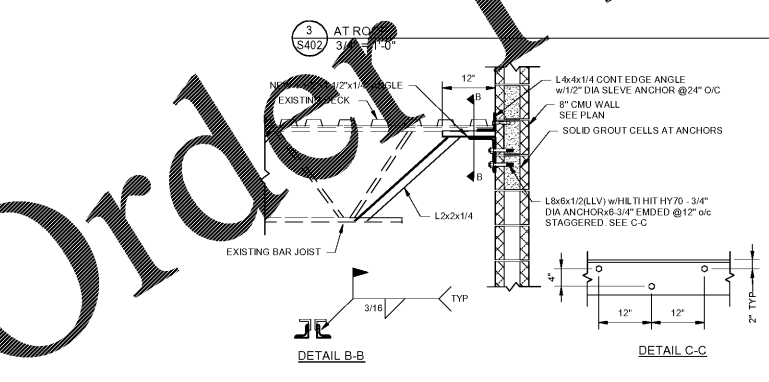
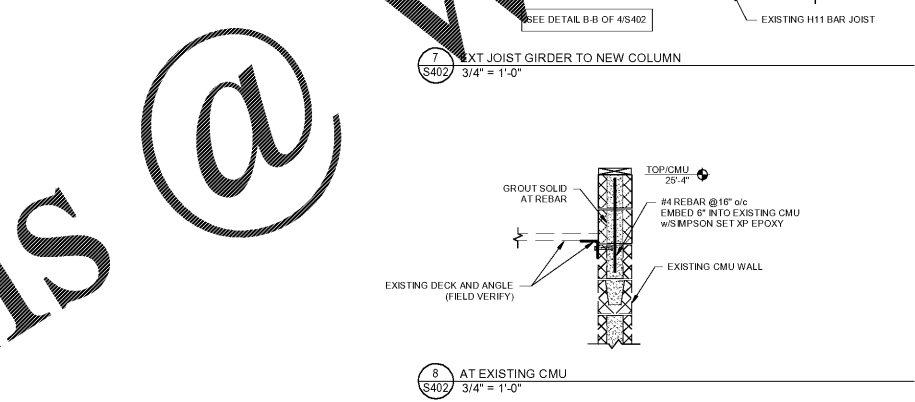
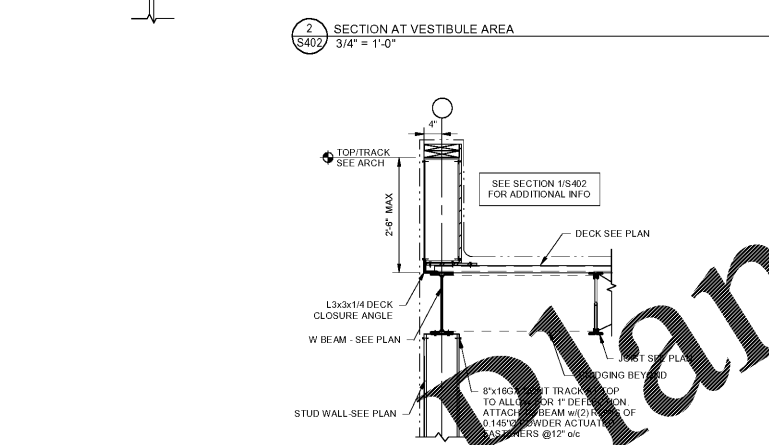
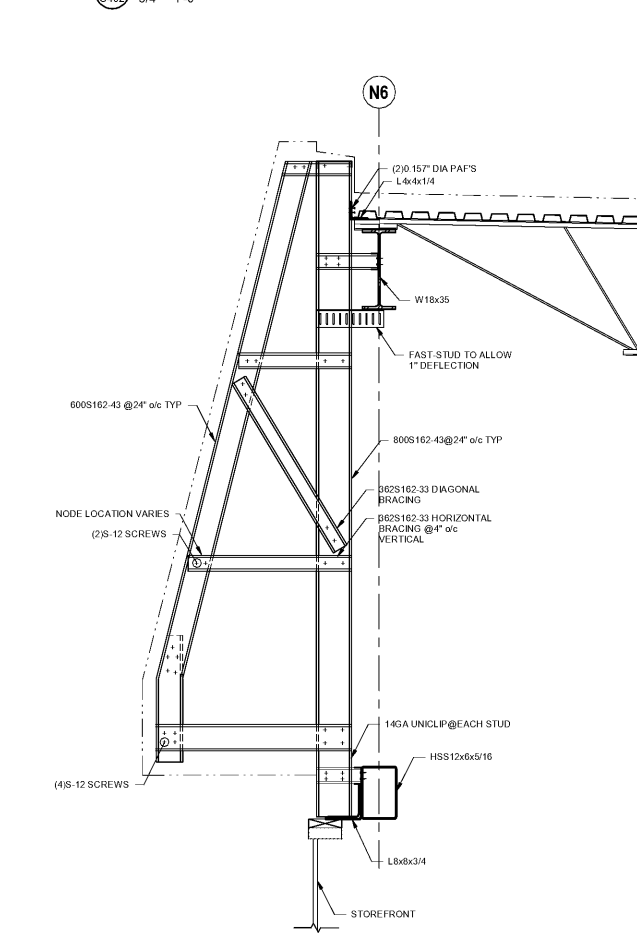
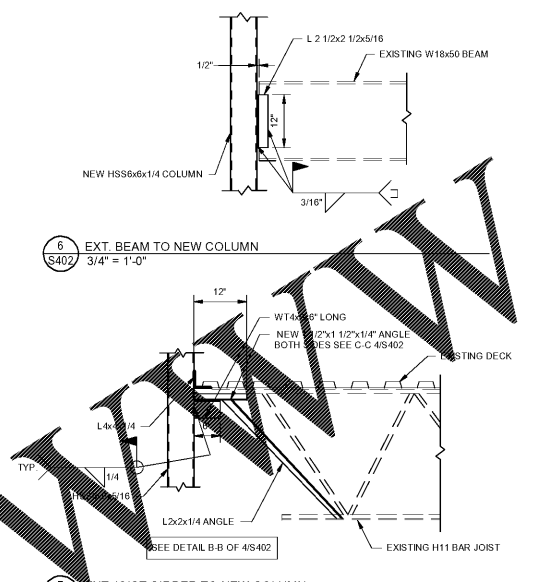
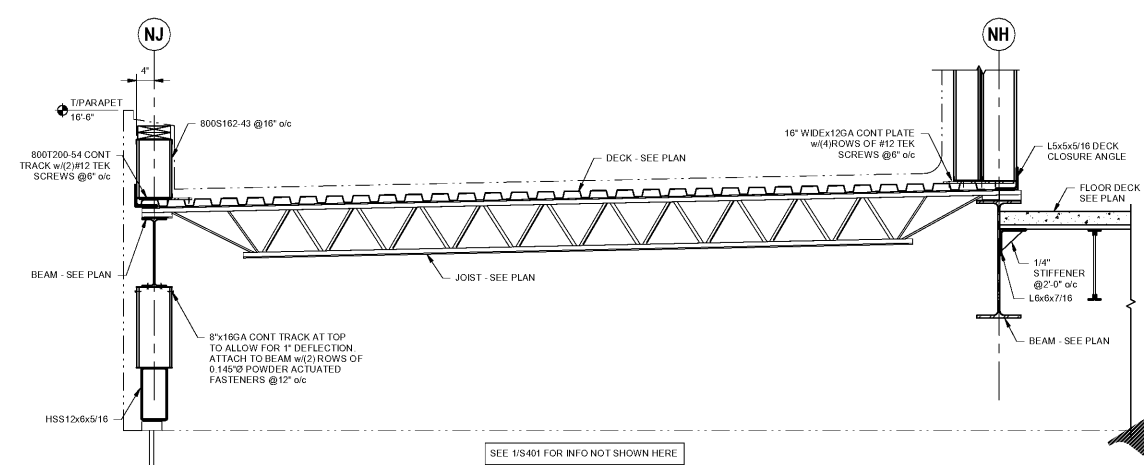
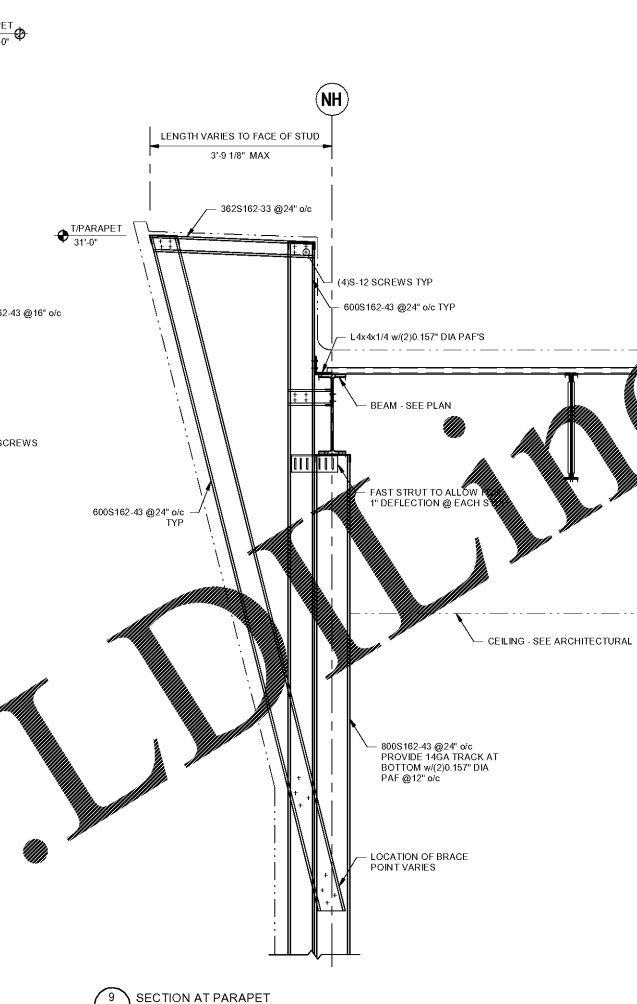
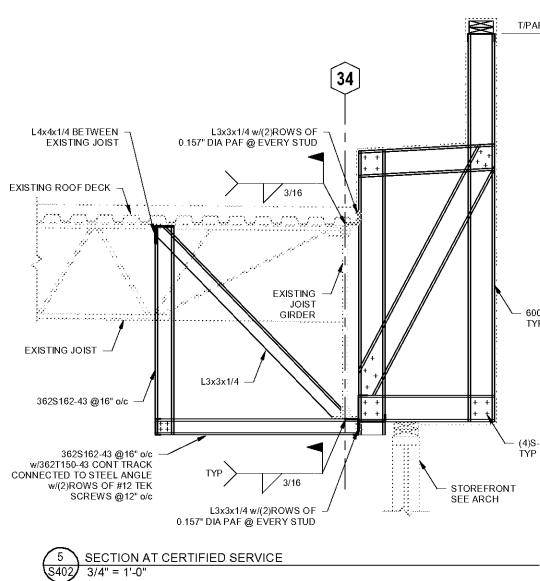
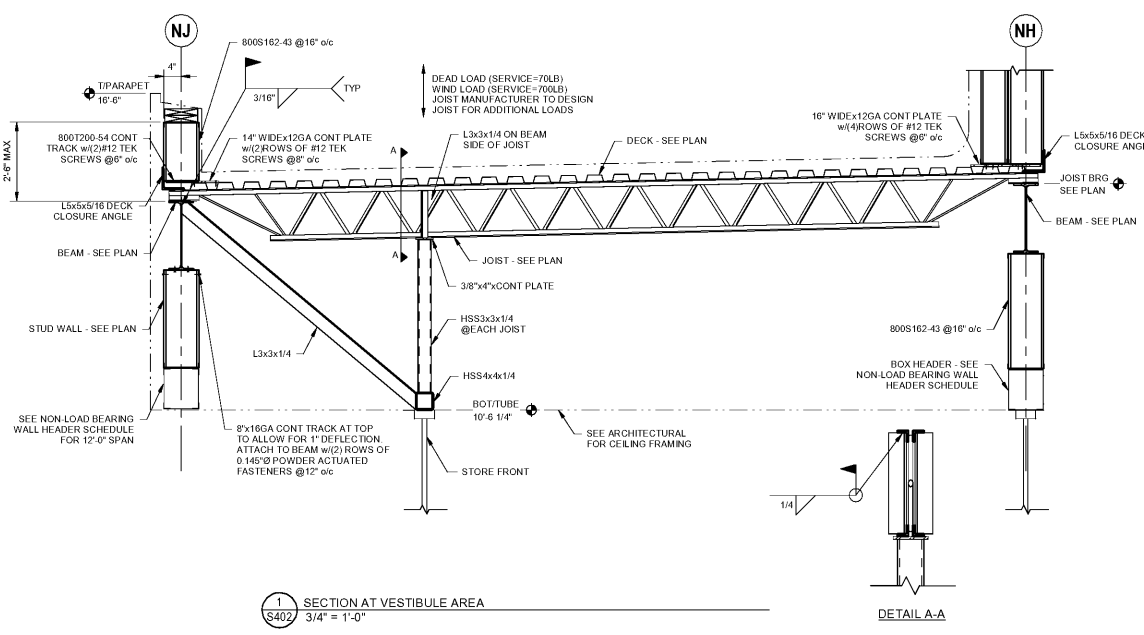
Client:  
**JIM ELLIS CADILLAC**  
5880 PEACHTREE BLVD  
ATLANTA, GA 30341

Project:  
**JIM ELLIS CADILLAC**  
5880 PEACHTREE BLVD  
ATLANTA, GA 30341

Project Number: 18123  
Drawn By: SRB  
Checked By: TAP  
Approved By: BP

Sheet Title:  
**FRAMING SECTIONS & DETAILS**

Sheet Number:  
**S402**



C:\Users\mduffy\Documents\18123\EC-Struct-REV17\_Mechla\_Augustin.rvt  
8/30/2016 3:56:58 PM

**Order Plans @**