



Signed & Sealed 12/1/18

Copyright © 2014 YSM Design, P.C.
All rights reserved. Reproduction, compilation, distribution, or other means without the prior written consent of YSM Design, P.C. is strictly prohibited.

This drawing may not be reproduced in whole or in part without written permission of YSM Design, P.C. This is a technical drawing and is intended to be used as a guide only in the field of construction.

Rev	Date	Comments

BID SET
Every Contractor or Subcontractor, by submitting a bid for this project declares that they have reviewed all aspects of this project and have included all work required to provide a complete project that meets all building codes.

If questions or discrepancies are found between the bid and the project documents, the Contractor shall contact the General Contractor for clarification. No clarification will be given after the bid date for issues that could clearly have been answered during the Bidding Period.

Information to all Bidders:
For more information about this bid, including a list of the most current documents, instructions to bidders, and other information, please visit the project website at www.ysm.com. No consideration will be given for Change Order Requests based on any of the following:
1. Name requiring clarification but not clearly indicated as an addendum on the initial bid.
2. Name requiring clarification but not submitted to Architect as a request for information during bidding.
3. Name obtained to be in industry standard for a particular system or assembly.
4. Items that can reasonably be inferred from contract documents.

Information to all Bidders:
For more information about this bid, including a list of the most current documents, instructions to bidders, and other information, please visit the project website at www.ysm.com. No consideration will be given for Change Order Requests based on any of the following:
1. Name requiring clarification but not clearly indicated as an addendum on the initial bid.
2. Name requiring clarification but not submitted to Architect as a request for information during bidding.
3. Name obtained to be in industry standard for a particular system or assembly.
4. Items that can reasonably be inferred from contract documents.



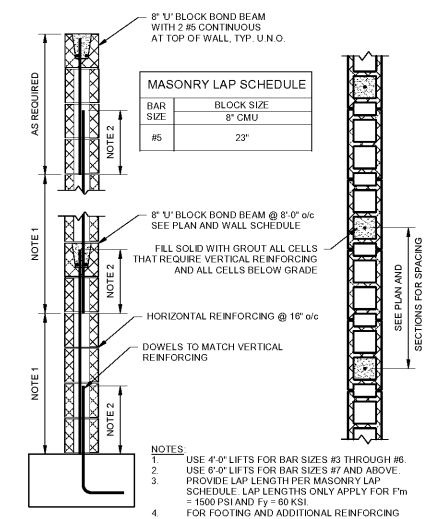
Client:
JIM ELLIS CADILLAC
5880 PEACHTREE BLVD
ATLANTA, GA 30341

Project:
JIM ELLIS CADILLAC
5880 PEACHTREE BLVD
ATLANTA, GA 30341

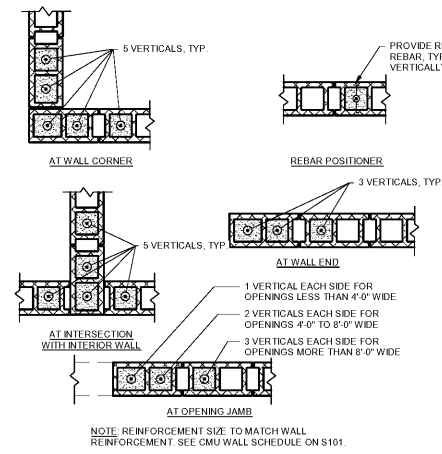
Project Number: 18123
Drawn By: TTN
Checked By: ARK
Approved By: BP

Sheet Title:
SCHEDULES AND TYPICAL DETAILS

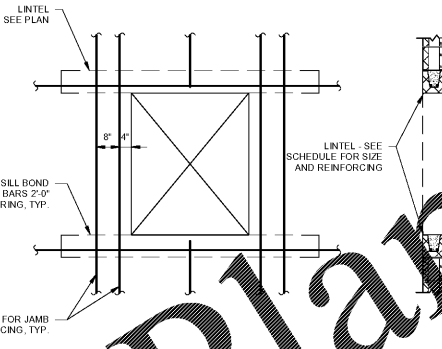
Sheet Number:
S003



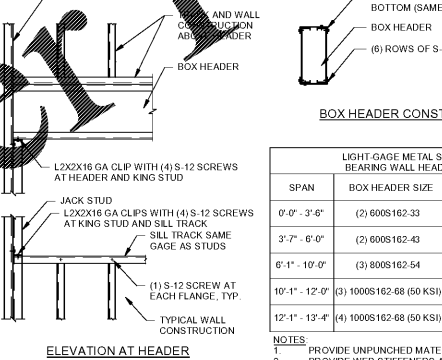
1 TYPICAL REINFORCED CMU WALL
3/4" = 1'-0"



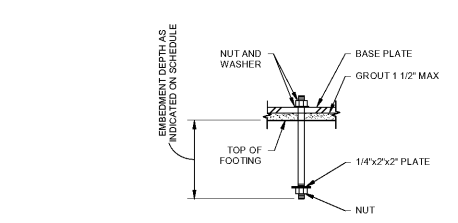
2 CMU REINFORCING DETAIL
3/4" = 1'-0"



3 TYPICAL REINFORCING AT CMU WALL OPENING
1/2" = 1'-0"



4 NON-LOAD BEARING LIGHT GAGE HEADER SCHEDULE
1/2" = 1'-0"



ANCHOR BOLT DIAMETER	EMBEDMENT	PROJECTION ABOVE CONC.	STEEL STRENGTH	ANCHOR ROD DIAMETER	HOLE DIA.	MIN WASHER SIZE	WELD SIZE
3/4"	9"	5"	ASTM F1554, GRADE 36	3/4"	1-5/16"	1/4" x 2"	3/16"
1"	12"	5"	ASTM F1554, GRADE 36	1"	1-13/16"	3/8" x 3"	1/4"
1 1/4"	15"	6"	ASTM F1554, GRADE 36	1 1/4"	2-1/16"	1/2" x 3"	1/4"
1 1/2"	15"	6"	ASTM F1554, GRADE 36	1 1/2"	2-5/16"	1/2" x 3 1/2"	1/4"

NOTE: PLATE WASHERS SHALL BE ASTM A36 MATERIAL. PROVIDE STANDARD HOLES IN PLATE WASHERS.

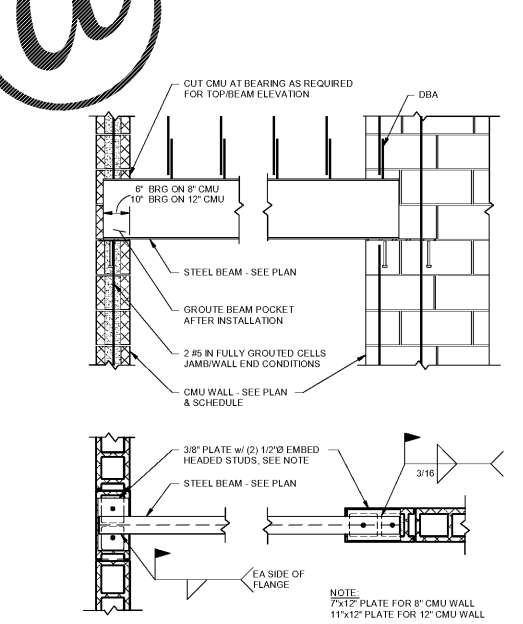
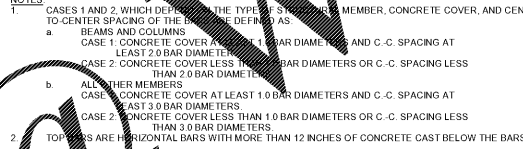
5 ANCHOR ROD EMBED SCHEDULE
N.T.S.

MARK	SIZE
C1	HSS4X4X1/4
C2	HSS4X4X1/4
C3	HSS4X4X5/16
C4	HSS4X4X5/16
C5	HSS4X4X3/8
C6	HSS4X4X1/2
C7	HSS8.625X4.500
C8	HSS18X6X1/2

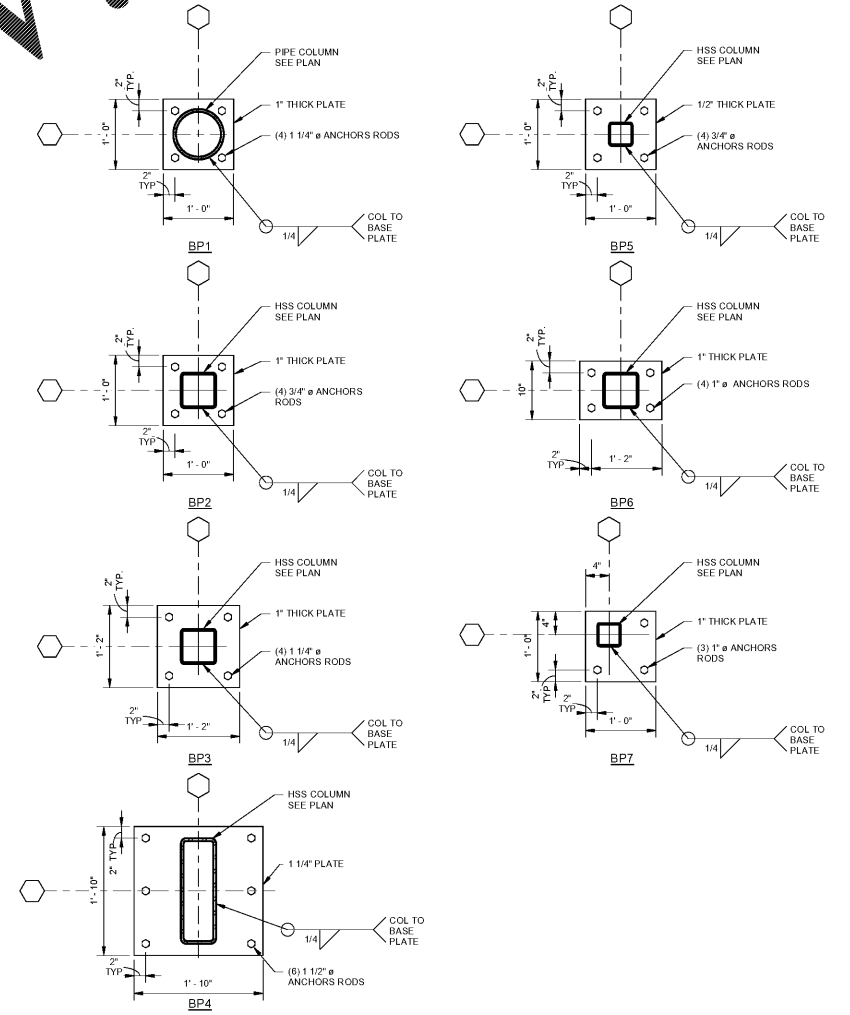
MARK	LENGTH	WIDTH	THICKNESS	REINFORCING
F3	3'-0"	3'-0"	1'-6"	5 #4 EACH WAY TOP & BOTTOM
F3.5	3'-6"	3'-6"	1'-6"	5 #4 EACH WAY TOP & BOTTOM
F4	4'-0"	4'-0"	1'-6"	5 #5 EACH WAY TOP & BOTTOM
F6	6'-0"	6'-0"	1'-6"	6 #8 EACH WAY TOP & BOTTOM
F6.5	6'-6"	6'-6"	1'-6"	6 #8 EACH WAY TOP & BOTTOM
F8	8'-0"	8'-0"	1'-6"	6 #8 EACH WAY TOP & BOTTOM
F8A	5'-0"	8'-0"	1'-6"	9 #8 EACH WAY TOP & BOTTOM
F8B	6'-0"	8'-0"	1'-6"	9 #8 EACH WAY TOP & BOTTOM
F9	9'-0"	9'-0"	1'-6"	6 #7 EACH WAY TOP & BOTTOM
F12	12'-0"	12'-0"	2'-0"	6 #8 EACH WAY TOP & BOTTOM

BAR SIZE	LAP CLASS	3000 PSI NORMAL WEIGHT CONCRETE				4000 PSI NORMAL WEIGHT CONCRETE			
		TOP BARS		OTHER BARS		TOP BARS		OTHER BARS	
#3	A	22"	32"	17"	25"	19"	29"	35"	
	B	28"	42"	22"	32"	24"	34"	41"	
#4	A	29"	43"	22"	33"	25"	37"	29"	
	B	37"	56"	24"	43"	32"	48"	37"	
#6	A	38"	54"	28"	41"	31"	47"	36"	
	B	47"	70"	30"	52"	37"	51"	47"	

NOTE:
1. CASES 1 AND 2, WHICH DEPEND ON THE TYPE OF MEMBER, CONCRETE COVER, AND CENTER-TO-CENTER SPACING OF THE BARS, ARE DEFINED AS:
a. CASE 1: CONCRETE COVER AT LEAST 2 BAR DIAMETERS AND C-C SPACING AT LEAST 2 BAR DIAMETERS
CASE 2: CONCRETE COVER LESS THAN 2 BAR DIAMETERS OR C-C SPACING LESS THAN 2 BAR DIAMETERS
b. ALL OTHER MEMBERS
CASE 1: CONCRETE COVER AT LEAST 1.0 BAR DIAMETERS AND C-C SPACING AT LEAST 3 BAR DIAMETERS
CASE 2: CONCRETE COVER LESS THAN 1.0 BAR DIAMETERS OR C-C SPACING LESS THAN 3 BAR DIAMETERS
2. TOP BARS ARE HORIZONTAL BARS WITH MORE THAN 12 INCHES OF CONCRETE CAST BELOW THE BARS.



6 TYPICAL BEAM BEARING AT CMU WALL
N.T.S.



7 BASE PLATES DETAILS
1" = 1'-0"

C:\Users\mshugh\Documents\0177 - EC-Struct-REV17_Mechia_Augustin.rvt
8/20/2016 3:08 PM

Order Plans

@

www.LDILine.com

NOT FOR CONSTRUCTION