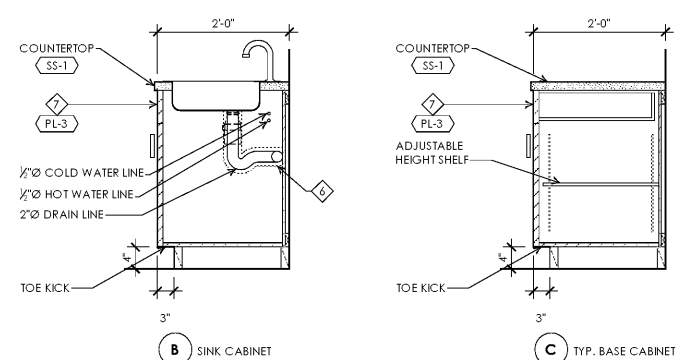
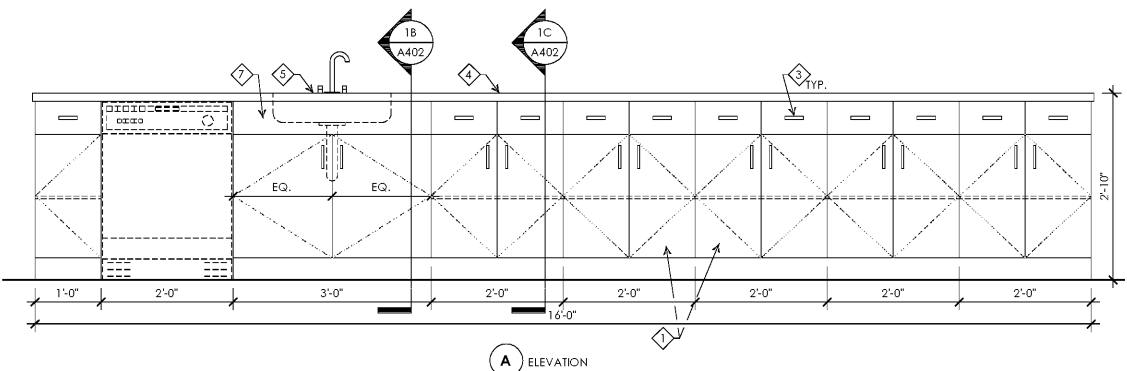
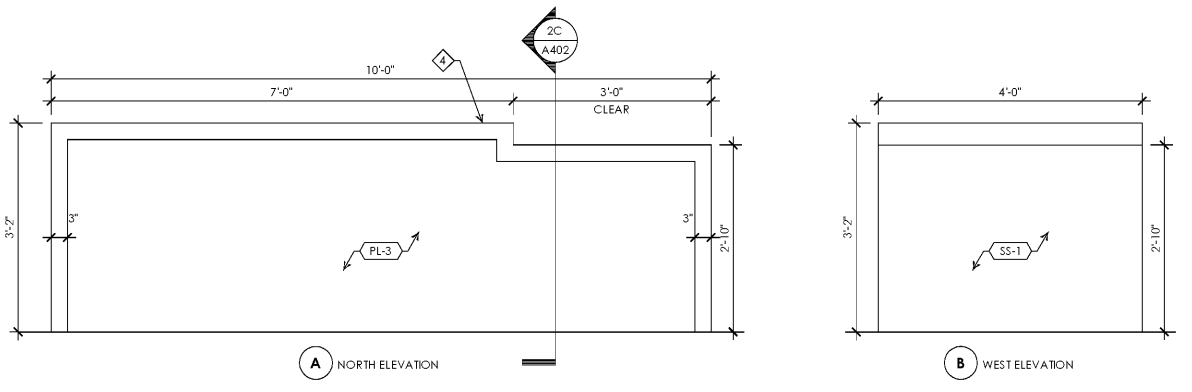


**DETAIL KEY NOTES**

- 1 BASE CABINETS (PL-3) FURNISHED AND INSTALLED BY GENERAL CONTRACTOR.
- 2 FINISHED END PANEL TO MATCH CABINET DOOR PANEL.
- 3 GENERAL CONTRACTOR TO PROVIDE CABINET PULLS - CHROME FINISH.
- 4 PROVIDE AND INSTALL SOLID SURFACE COUNTERTOP - SS-1. ISLAND COUNTER TO HAVE WATERFALL EDGE.
- 5 PROVIDE CUT-OUT AS REQUIRED FOR INSTALLATION OF SINK.
- 6 PROVIDE PIPE WRAP AS SPECIFIED ON ALL EXPOSED PLUMBING SUPPLY AND DRAIN LINES.
- 7 APRON - PL-3
- 8 DRAWER FRONT - PL-3
- 9 MODESTY PANEL - PL-3
- 10 WATERFALL COUNTER EDGE BEYOND.



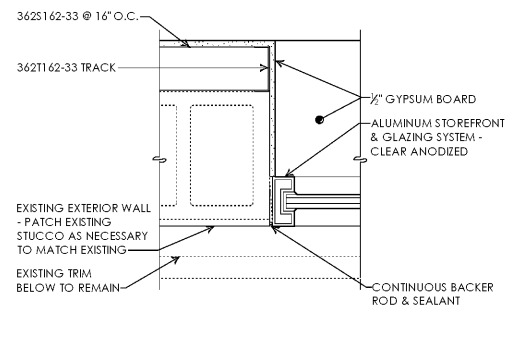
**1 BREAK ROOM CABINET DETAILS**  
SCALE: 3/4" = 1'-0"



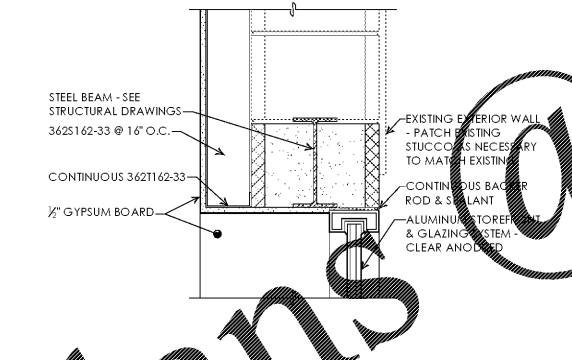
**2 ISLAND COUNTER DETAILS**  
SCALE: 3/4" = 1'-0"

**3 OPEN SHELF DETAIL**  
SCALE: 1-1/2" = 1'-0"

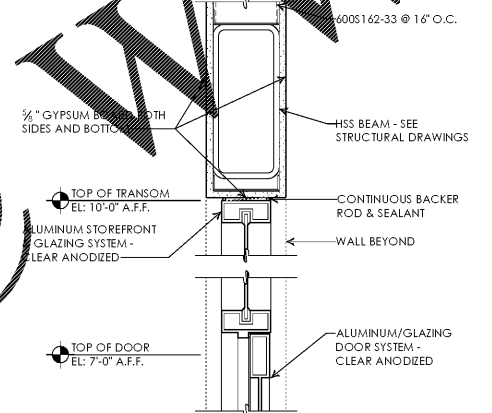
**4 WINDOW SILL DETAIL**  
SCALE: 1-1/2" = 1'-0"



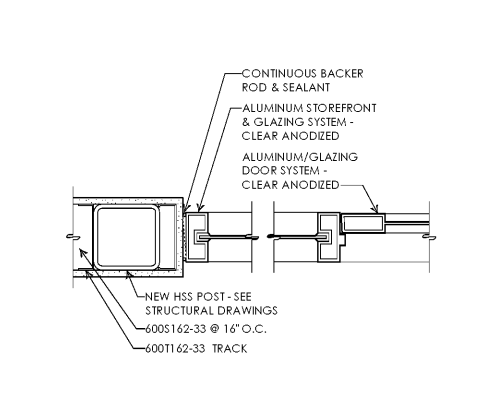
**5 WINDOW JAMB DETAIL**  
SCALE: 1-1/2" = 1'-0"



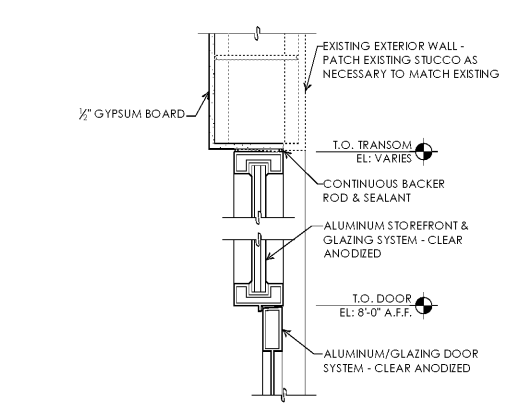
**6 WINDOW HEAD DETAIL**  
SCALE: 1-1/2" = 1'-0"



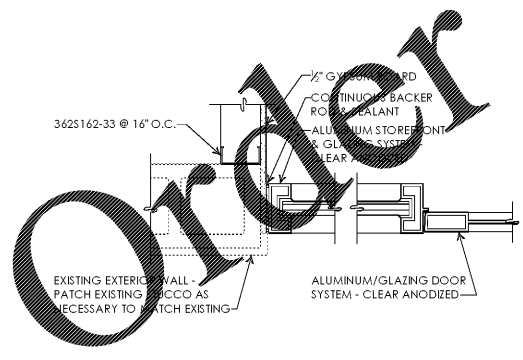
**7 INT. GLAZED DOOR HEAD DTL.**  
SCALE: 1-1/2" = 1'-0"



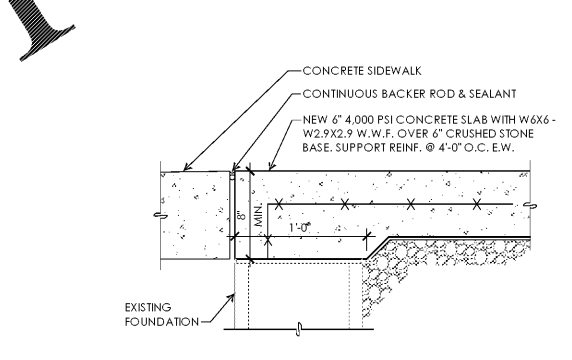
**8 INT. GLAZED DOOR JAMB DTL.**  
SCALE: 1-1/2" = 1'-0"



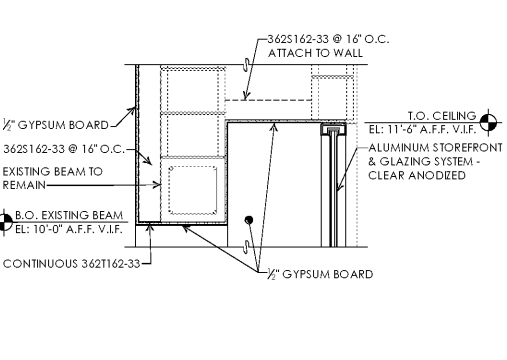
**9 EXT. GLAZED DOOR HEAD DTL.**  
SCALE: 1-1/2" = 1'-0"



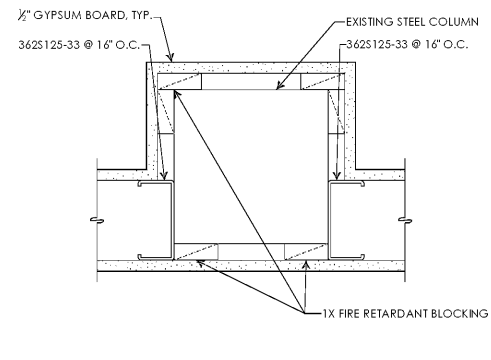
**10 EXTERIOR GLAZED JAMB HEAD DTL.**  
SCALE: 1-1/2" = 1'-0"



**11 SLAB DETAIL**  
SCALE: 1-1/2" = 1'-0"



**12 ENTRY SOFFIT DETAIL**  
SCALE: 3/4" = 1'-0"



**13 COLUMN DETAIL**  
SCALE: 3/4" = 1'-0"

**ARCHITECTURAL DESIGN GUILD**  
2100 S. ... Blvd.  
St. Louis, MO 63143  
www.adg-stl.com  
P: 314.644.1234  
F: 314.644.4373

**Office DEPOT OfficeMax**  
6600 NORTH MILITARY TRAIL  
BOCA RATON, FL 33496  
PHONE: (561) 438-6299  
FAX: (561) 438-7237

**Office DEPOT**  
STORE #0409  
BOCA RATON, FL

4901 N. FEDERAL HIGHWAY  
BOCA RATON, FL 33431

ISSUE DATE: 11/09/2018  
STORE NUMBER: #0409  
LEASABLE AREA: 29,701 S.F.  
GROSS FLOOR AREA: 28,752 S.F.  
JOB NUMBER: 2018.012000

ISSUE	ISSUED FOR	DATE

STATE OF FLORIDA  
BARRY J. GREENBERG  
REGISTERED ARCHITECT  
AR9300

BARRY J. GREENBERG  
#AR0009300 | EXP. 02/28/2019

**A402**

DRAWN: SAR  
CHECKED: MBK

FILE NAME: 20180303\_0402 - 000000.dwg DATE: 11/17/18 TIME: 14:33:06 USER: D:\greenberg\barry Date Plotted: 11/17/18 14:33:06