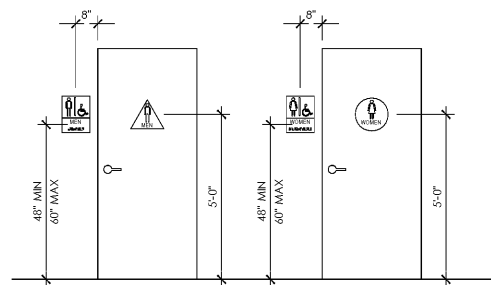


1 ACCESSIBILITY REACH CLEARANCES

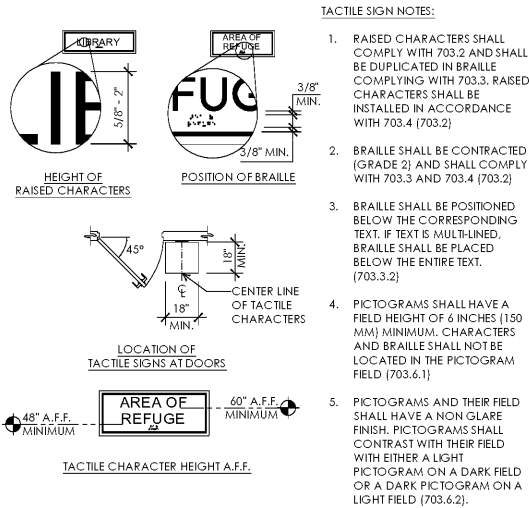
SCALE: 3/8" = 1'-0"

- NOTES:
 GC TO PROVIDE RESTROOM SIGN WITH RAISED BRAILLE CHARACTERS AND PICTORIAL SYMBOL AT CORRIDOR SIDE OF TOILET ROOM DOOR.
 A. FACILITIES AND ELEMENTS REQUIRED TO BE IDENTIFIED AS ACCESSIBLE BY SECTION 4.1 OF THE ADAAG ARE TO USE THE INTERNATIONAL SYMBOL OF ACCESSIBILITY.
 B. INSTALL SIGNS ON THE WALL ADJACENT TO THE LATCH SIDE OF THE DOOR.
 C. INSTALL SIGNS WITH THE BASELINE OF THE LOWEST TACTILE CHARACTER AT 48" MIN AFF AND THE BASELINE OF THE HIGHEST TACTILE CHARACTER AT 60" MAX AFF.
 D. ENSURE A CLEAR FLOOR SPACE 18" BY 18" CENTERED ON THE TACTILE CHARACTERS.
 E. REFER TO DOOR AND HARDWARE SCHEDULES FOR ROOM SIGNAGE.



2 TACTILE SIGNAGE

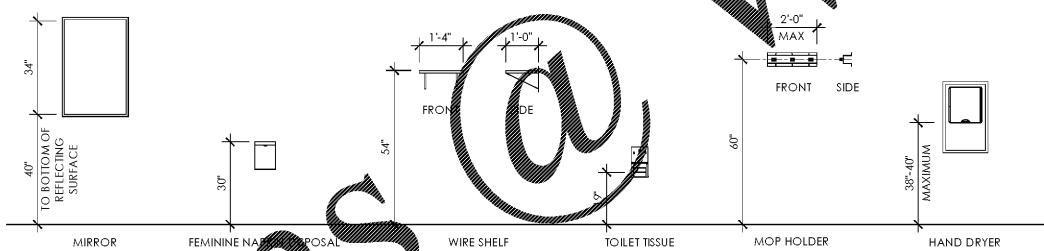
SCALE: 3/8" = 1'-0"



3 TACTILE SIGNAGE

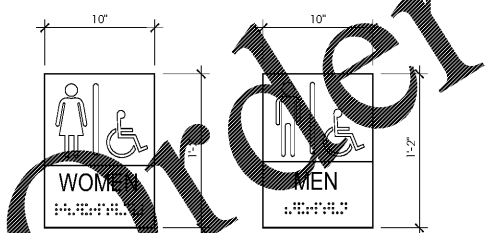
N.T.S.

- NOTES:
 1. FOR ACCESSORY PRODUCT INFORMATION SEE SPECIFICATION.
 2. ALL ACCESSORIES PURCHASED AND INSTALLED BY GC UNLESS OTHERWISE NOTED.
 3. INSTALLATION HEIGHT FOR ROOM ID DOOR SIGNAGE SHALL BE MAXIMUM 5'-0" AFF.



6 DOOR MOUNTED SIGNAGE

SCALE: 1-1/2" = 1'-0"



8 WALL MOUNTED SIGNAGE

SCALE: 1-1/2" = 1'-0"

7 TYPICAL ACCESSORY MOUNTING HEIGHTS

SCALE: 1-1/2" = 1'-0"

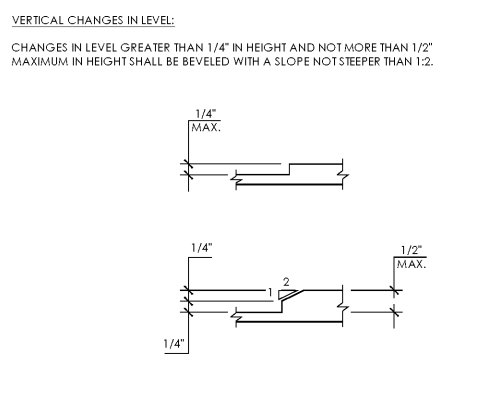
- GRAB BAR NOTES:
 1. BENDING STRESS IN A GRAB BAR OR SEAT INDUCED BY THE APPLICATION OF 250 LBF SHALL BE LESS THAN THE ALLOWABLE BENDING STRESS FOR THE MATERIAL OF THE GRAB BAR OR SEAT. IF THE CONNECTION BETWEEN THE GRAB BAR OR SEAT AND ITS MOUNTING BRACKET OR OTHER SUPPORT IS CONSIDERED TO BE FULLY RESTRAINED, THEN DIRECT AND TORSIONAL SHEAR STRESSES SHALL BE TOTALLED FOR THE COMBINED SHEAR STRESS, WHICH SHALL NOT EXCEED THE ALLOWABLE SHEAR STRESS.
 2. SHEAR STRESS INDUCED IN A FASTENER OR MOUNTING DEVICE FROM THE APPLICATION OF 250 LBF SHALL BE LESS THAN THE ALLOWABLE LATERAL LOAD OF EITHER THE FASTENER OR MOUNTING DEVICE OR THE SUPPORTING STRUCTURE, WHATEVER IS THE SMALLER ALLOWABLE LOAD.
 3. TENSILE FORCE INDUCED IN A FASTENER BY A DIRECT TENSION FORCE OF 250 LBF PLUS THE MAXIMUM MOMENT FROM THE APPLICATION OF 250 LBF SHALL BE LESS THAN THE ALLOWABLE WITHDRAWAL LOAD BETWEEN THE FASTENER AND THE SUPPORTING STRUCTURE.

9 GRAB BAR DETAIL

SCALE: 1-1/2" = 1'-0"

4 ACCESSIBILITY CLEARANCES

SCALE: 1/4" = 1'-0"

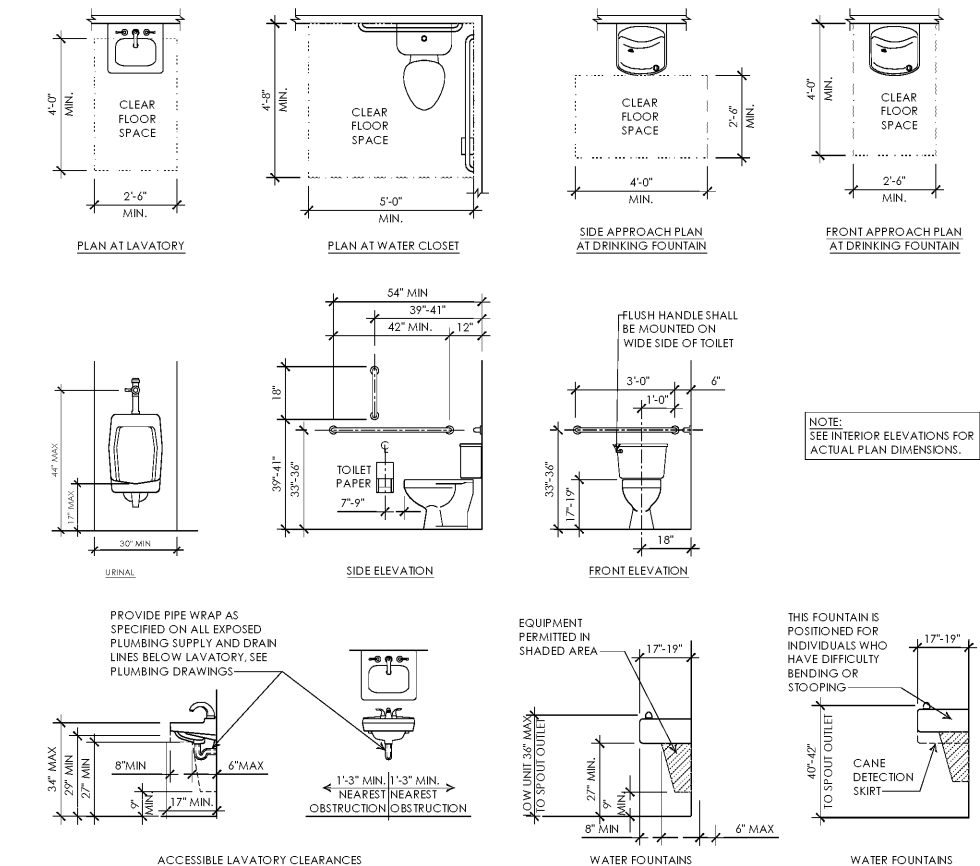


10 TRANSITIONS

SCALE: 6" = 1'-0"

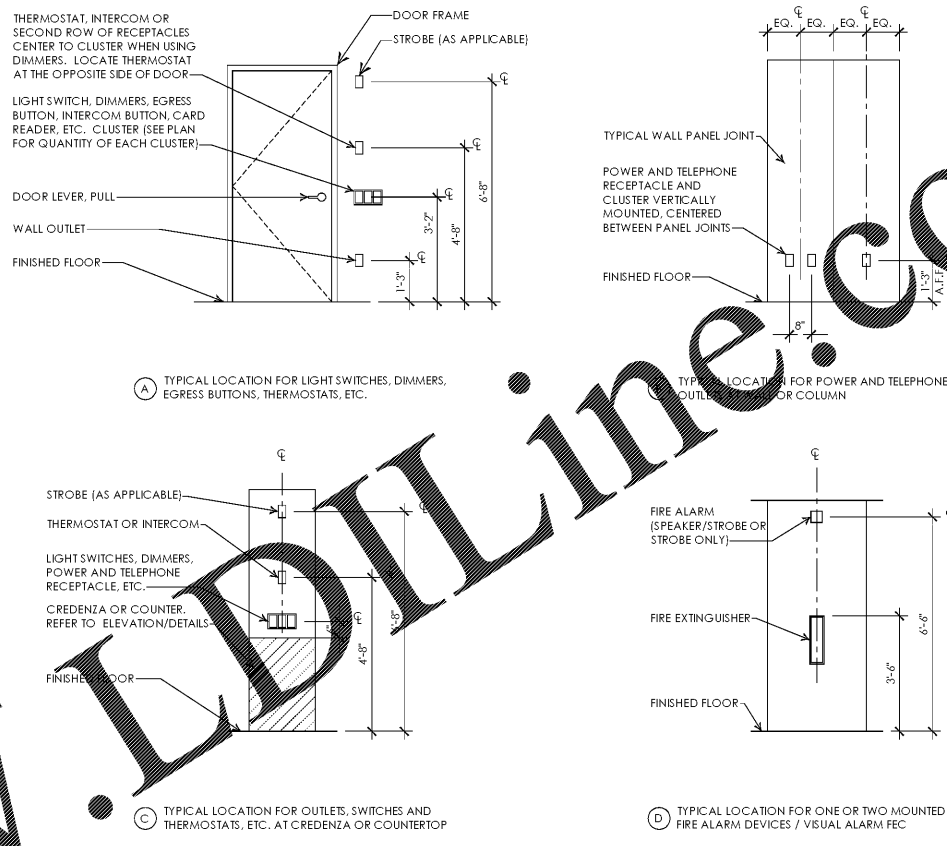
5 TYPICAL MOUNTING HEIGHTS

SCALE: 3/8" = 1'-0"



11 TYPICAL PLUMBING ELEMENTS AND FACILITIES

SCALE: 3/8" = 1'-0"



ARCHITECTURAL DESIGN GUILD
 2100 S. Main Blvd.
 St. Louis, MO 63143
 www.adg-stl.com
 P: 314.644.1234
 F: 314.644.4373

Office DEPOT OfficeMax
 6600 NORTH MILITARY TRAIL
 BOCA RATON, FL 33496
 PHONE: (561) 438-6299
 FAX: (561) 438-7237

Office DEPOT
 STORE #0409
 BOCA RATON, FL
 4901 N. FEDERAL HIGHWAY
 BOCA RATON, FL 33431
 ISSUE DATE: 11/09/2018
 STORE NUMBER: #0409
 LEASABLE AREA: 29,701 S.F.
 GROSS FLOOR AREA: 28,752 S.F.
 JOB NUMBER: 2018.01.20.00

ISSUE	ISSUED FOR	DATE

STATE OF FLORIDA
 BARRY J. GREENBERG
 REGISTERED ARCHITECT
 AR9300

BARRY J. GREENBERG
 #AR009300 | EXP. 02/28/2019

ACCESSIBILITY GUIDELINES & DETAILS
 DRAWN: SAR
 CHECKED: MBK

G002