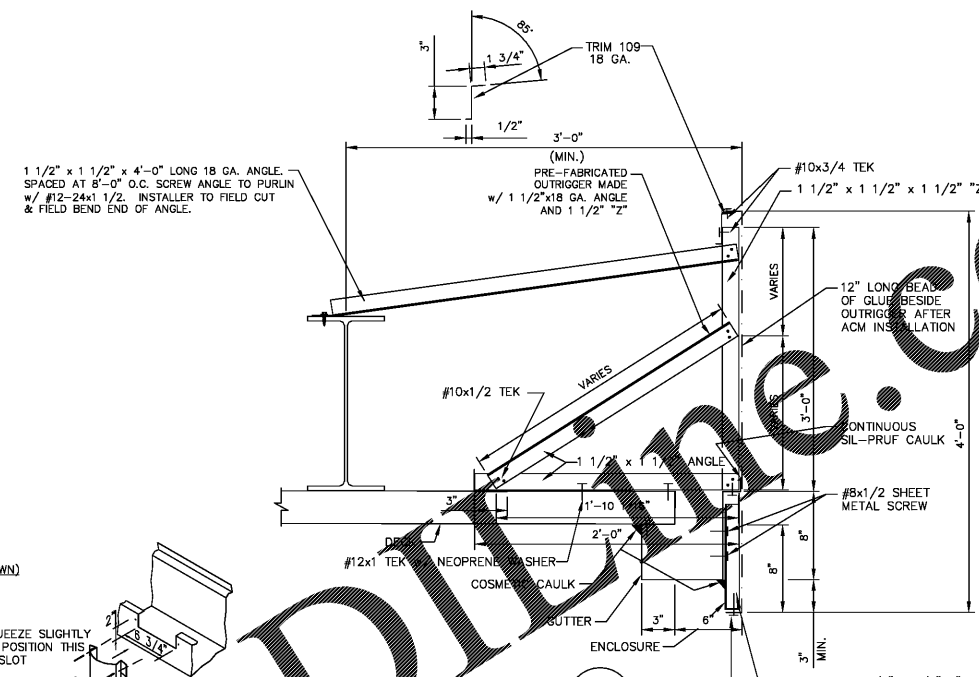
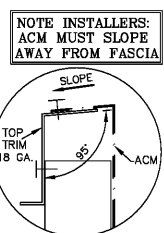
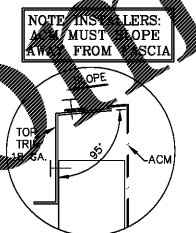


DETAIL FD2  
04-03-14 REV. 4 END



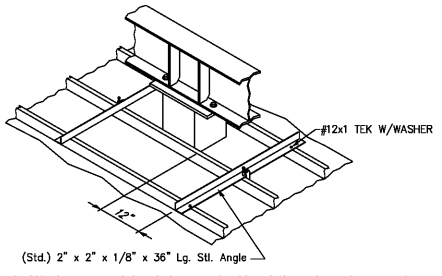
DETAIL FD1  
4/3/2014 REV. 4 SIDE



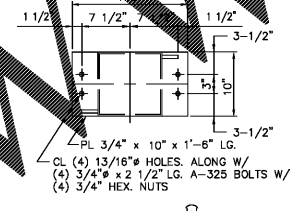
PERIMETER GUTTER O'FLOW CUTOUT (SHOWN)  
NOTCH 2" x 6 3/4" HOLE IN GUTTER AS SHOWN (See roof plan for locations on canopy)

CENTER GUTTER O'FLOW CUTOUT  
NOTCH 2" x 6 3/4" HOLE IN GUTTER AS SHOWN ALTERNATE DIRECTION OF CUT OUT AND OVERFLOW IF MORE THAN (2) OVERFLOWS ARE PRESENT (See roof plan for locations on canopy)

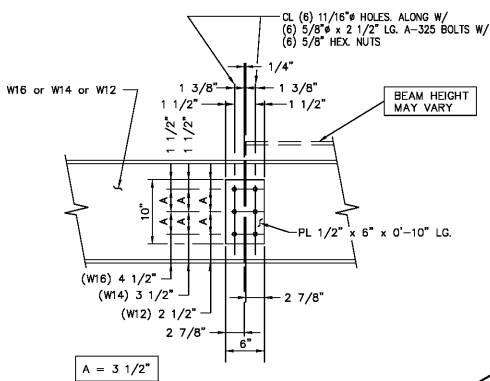
OVERFLOW INSTALLATION  
INSERT (1) FLANGE AND BEND JUST ENOUGH TO GET OTHER SIDE IN.  
USE (1) POPRIVET EACH SIDE THEN APPLY COSMETIC CAULK AROUND EDGES.



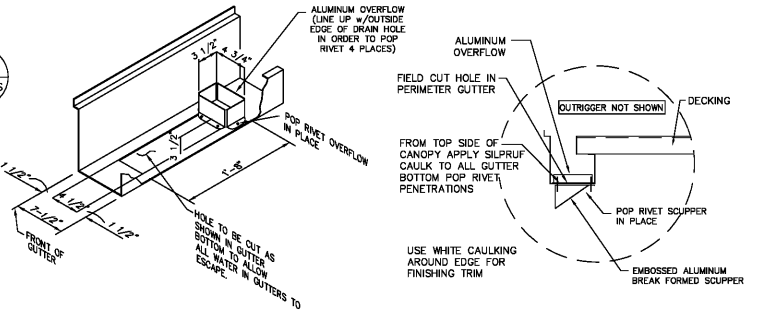
DETAIL DSA1



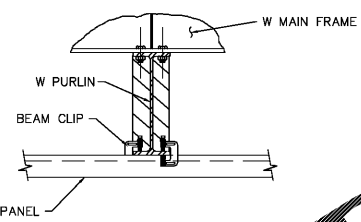
DETAIL TCS  
REV.3 11-11-98



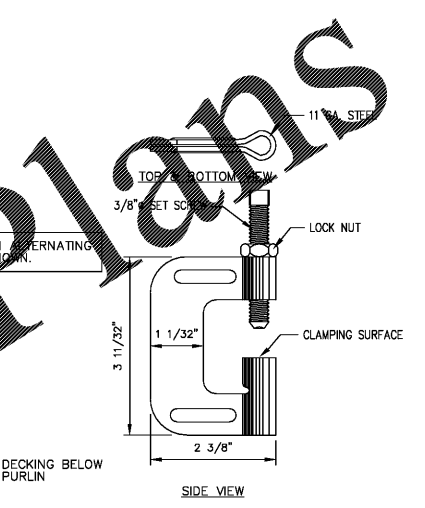
DETAIL WPS  
REV.4 11/09/00 3-BOLTS



DETAIL SC2  
05-01-98

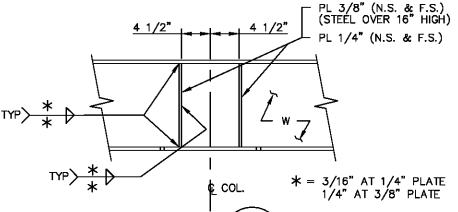


DETAIL CPI  
REV 11-31-95

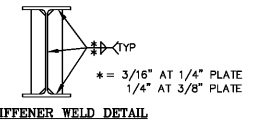


McGEE BEAM CLIP DETAIL  
MATERIAL: 11 GAUGE PLATE, ASTM A526 CQ (GALVANIZED); CASE HARDENED C1018-1022 LOW CARBON STEEL WIRE SET SCREW (ZINC PLATED)

McGEE BEAM CLIP INSTALLATION PROCEDURE: SET BEAM CLIP WITH SET SCREW ON TOP OF BEAM FLANGE AND CLAMPING SURFACE UNDER DECK RIB. PUSH CLIP AGAINST DECK AND BEAM FLANGE WITH SET SCREW AS FAR ONTO BEAM FLANGE AS POSSIBLE. WHILE KEEPING BEAM CLIP VERTICAL, TURN SET SCREW TO SNUG TIGHT WITHOUT BURROWING INTO STEEL BEAM FLANGE. THEN PROCEED TO TURN SET SCREW 3/4 TURN (270). TIGHTEN LOCK NUT MAKING SURE THAT BEAM CLIP REMAINS IN POSITION.



DETAIL GSI  
REV.1 08-20-03



STD STIFFENER WELD DETAIL

LAWRENCE R. PILON/ PROFESSIONAL ENGINEER  
51 MAPLEVIEW DRIVE/PENNELLVILLE, NY 13132  
(315) 668-0039

<b>MCGEE CORPORATION</b> 12701 East Independence Blvd., P.O. Box 1375 Matthews, NC 28106-1375 Phone: (704) 882-1500 Telex: (800) 528-5589	PR. JOB NO. 54661 FINAL JOB NO. 54661 DRAWING NO. P054661C	
	RACETRAC #1242 MLK PKWY & ZEBULON RD GRIFFEN, GA 30223 (SPALDING) SCALE: 1/8"=1'-0" DATE: 8/24/17 IN ACCORDANCE WITH REV. LETTER: A DRAWN BY: LLE CHKD BY:	

METAL CANOPY 40'-0" x 219'-4"  
MISC DETAILS