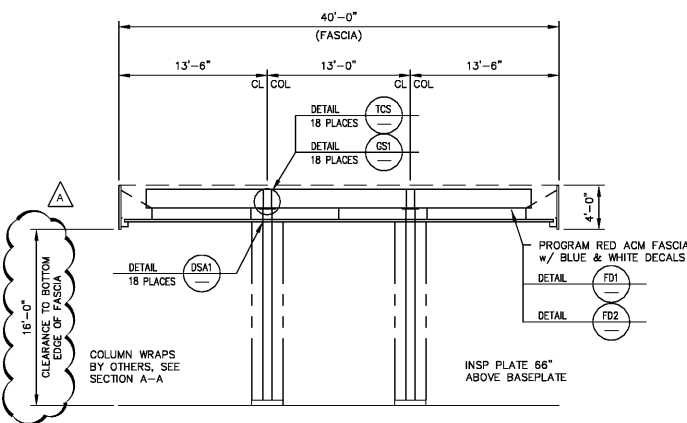


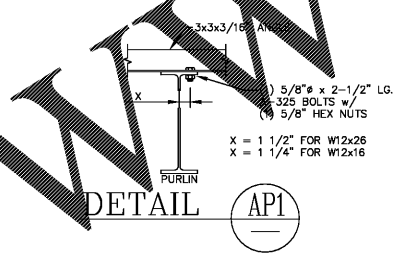
CANOPY ROOF PLAN

NOTE: TOP PLATES FOR ROW 2 TO BE 1 1/4" HIGHER THAN ROW 1.

20 GA. WHITE EMBOSSED GRAND SPAN 16.0" STEEL DECKING 184 PANELS @ 39"-0"
 .032 ALUMINUM GUTTER SYSTEM COLOR TO MATCH DECK.
 NOTE: CANOPY BEAM CLIPS MUST BE INSTALLED ON BOTH SIDES OF THE PURLIN, ATTACHING THE 1st FOUR (4) DECK PANELS ON BOTH ENDS OF THE CANOPY. ALL OTHER LOCATIONS SEE DETAIL CP1.
 STITCH DECKING WITH TEK MIDSPAN BETWEEN PURLINS, 2" MINIMUM FROM FLAT SIDE OF DECK PAN. (INDICATED ON ROOF PLAN WITH DASHED LINE)
 DETAIL CP1



MAIN FRAME DETAIL



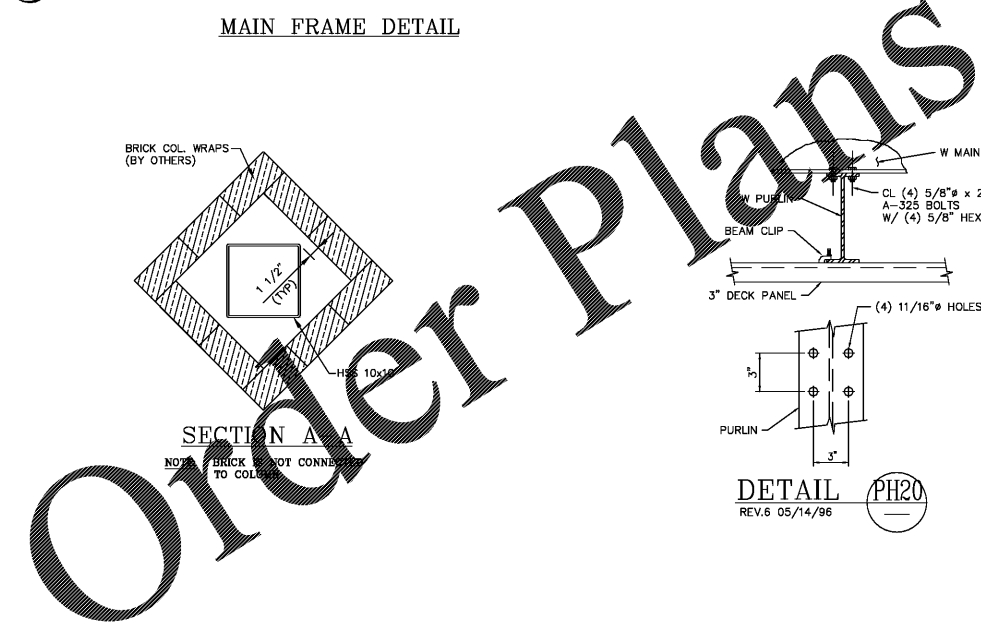
DETAIL PH24

ANCHOR BOLT SHIPPING REQUIREMENTS		
ANCHOR BOLT USE	BOLT DESCRIPTION	QUANTITY
BGS-BASE PLATE (16 PLACES)	1 1/4" x 36" LONG HEX HEAD ANCHOR BOLT	64

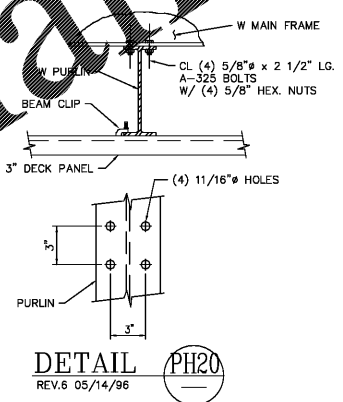
HARDWARE LIST BREAK-DOWN (REFERENCE ONLY)		
ITEM USE (# OF PLACES FOR CHECKING ONLY)	DESCRIPTION	QUANTITY
TCS-TOP PLATE (16 PLACES)	3/4" x 2-1/2" BOLTS w/ NUTS	64
WPS-BEAM SPLICE (20 PLACES)	5/8" x 2-1/2" BOLTS w/ NUTS	120
WPS-BEAM SPLICE (20 PLACES)	6x10x1/2" PLATE	20
PH20-CONNECTION (20 PLACES)	5/8" x 2-1/2" BOLTS w/ NUTS	80
PH24-CONNECTION (20 PLACES)	5/8" x 2-1/2" BOLTS w/ NUTS	80
AP1-CONNECTION (80 PLACES)	5/8" x 2-1/2" BOLTS w/ NUTS	80

CANOPY SHIPPING STEEL HARDWARE MANIFEST						
QUANTITY	DESCRIPTION	QUANTITY SHIPPED	PULLED BY	CHECKED BY	TRAILER #	LOADED BY
360	5/8" x 2-1/2" BOLTS w/ NUTS					
64	3/4" x 2-1/2" BOLTS w/ NUTS					
20	(WPS) 6x10x1/2" PLATE					

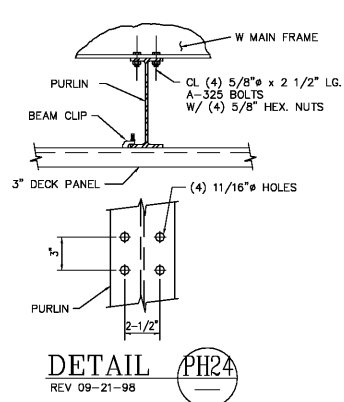
CANOPY SHIPPING MANIFEST						
		TOP PLATE	BASE PLATE	PLATE DRAINS	W/S & CONDUIT	VENT
8	MF-1 W18x40 (35'-0")					
5	PUR-1 W12x26 (44'-11 7/8")					
5	PUR-2 W12x16 (49'-11 3/4")					
5	PUR-3 W12x16 (28'-7 3/4")					
5	PUR-4 W12x16 (49'-11 3/4")					
5	PUR-5 W12x26 (44'-11 7/8")					
6	STR-1 L3x3x3/16" (35'-0")					
10	STR-2 L3x3x3/16" (35'-0")					
16	COL 1 THRU 16 HSS 10x10x1/4"					
113	SIDE OUTRIGGERS @ 48" O.C.					
22	END OUTRIGGERS @ 48" O.C.					
1-L	LOT					



SECTION A-A



DETAIL PH20



DETAIL PH24

ERECTION NOTES:
 REVIEW PLANS & DETAILS PRIOR TO INSTALLATION.
 INSTALL BEAMS ACCORDING TO MARKED END #S ON ROOF PLAN.
 BEAM OVERHANG IS 4" LONGER ON RIGHT HAND END OF CANOPY. IF APPLICABLE, SAME APPLIES FOR DECK PANEL GROWTH.
 INSTALL DECK PANELS FROM LEFT TO RIGHT ON MAIN CANOPY. IF APPLICABLE SAME APPLIES FOR TEE.
 SEE ROOF PLAN FOR PROPER SLOPE AND HOW SLOPE IS ACQUIRED.
 SEE FASCIA DETAILS WHICH ALSO REFERS BACK TO GENERAL NOTES FOR OUTRIGGER SPACINGS.
 BP FASCIA ONLY START FASCIA AT LEFT END - SEE DIMENSION FOR LOCATION OF FIRST T4 PANEL.

MCGEE CORPORATION
 12701 East Independence Blvd. P.O. Box 1375 Matthews, NC 28106-1375
 Phone: (704) 882-1500
 Fax: (800) 526-5589

PR. JOB NO. 54661
 FINAL JOB NO. 54661
 DRAWING NO. P054661A
RACETRAC #1242
MLK PKWY & ZEBULON RD
GRIFFIN, GA 30223 (SPALDING)
 SCALE: 1/8"=1'-0"
 DATE: 8/24/17
 IN ACCORDANCE WITH REV. LETTER: A
 DRAWN BY: LLE
 CHECKED BY:
METAL CANOPY 40'-0" x 219'-4"
FOUNDATION PLAN
 SHEET NO. 2 OF 4

LAWRENCE R. PILON/ PROFESSIONAL ENGINEER
 51 MAPLEVIEW DRIVE/PENNSILLVILLE, NY 13132
 (315) 668-0039