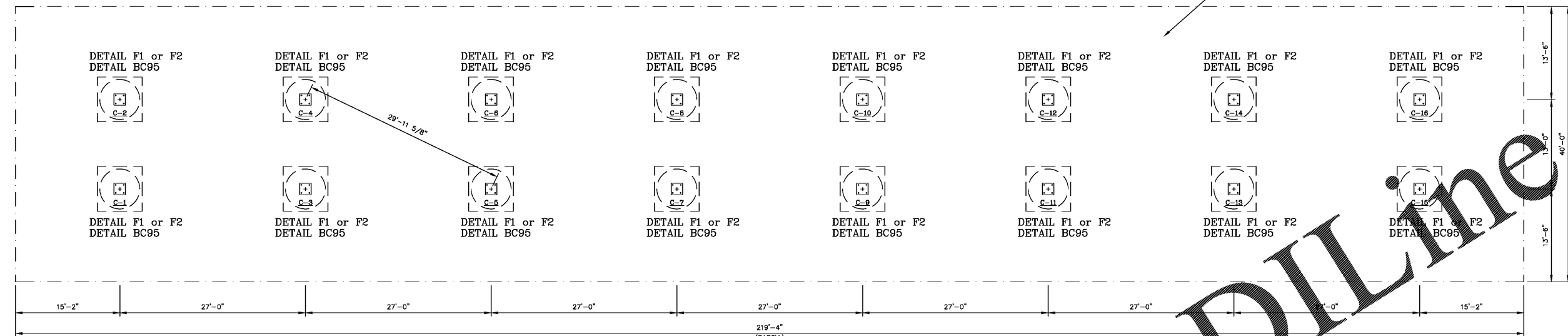


REVISIONS

REV.	CHNG BY	APP'D BY	DATE	DESCRIPTION
A	LLE		7/19/18	REVISED SIZE, CLEARANCE, AND QTY OF LIGHTS

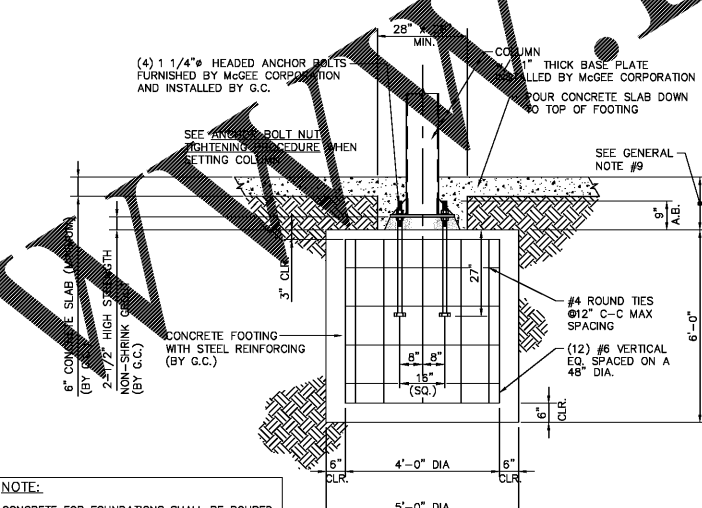
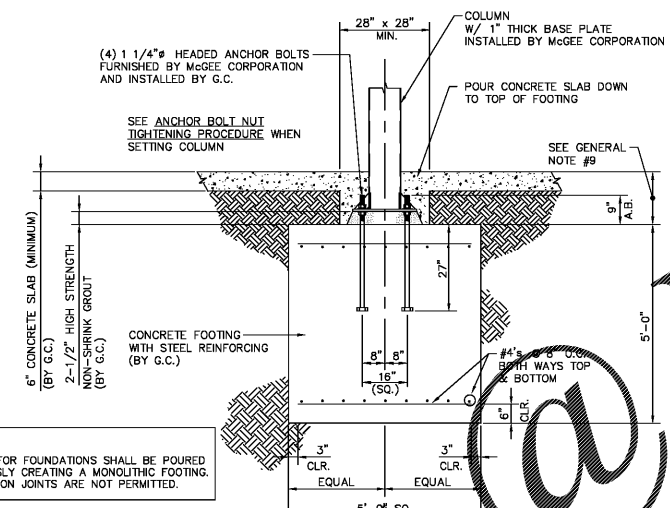
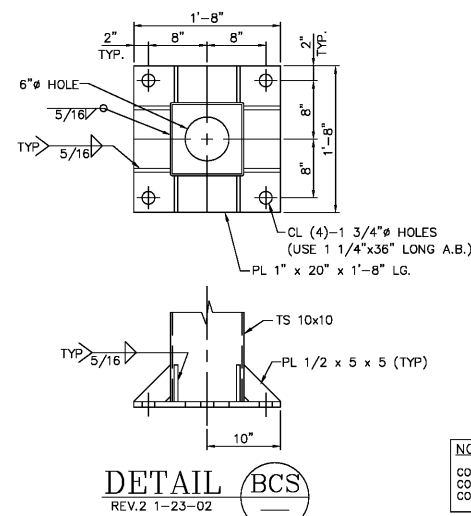
BLDG

FINAL SLAB DESIGN BY OTHERS



FOUNDATION PLAN
ALL DIAGONAL DIMENSIONS SHOWN ARE GIVEN TO CL. OF COLUMN

ON SITE FILL:
PER ECS GEOTECHNICAL REPORT # 10:9491 DATED 5/29/17, OVEREXCAVATE UNSUITABLE MATERIALS OR LOW CONSISTENCY SOILS FOUND IN CANOPY FOUNDATION AREAS. NEW FOUNDATIONS TO BEAR ON NEW FILL OR STABLE NATURAL SOILS PER GEOTECHNICAL REPORT



NOTE:
CONCRETE FOR FOUNDATIONS SHALL BE POURED CONTINUOUSLY CREATING A MONOLITHIC FOOTING. CONSTRUCTION JOINTS ARE NOT PERMITTED.

NOTE:
CONCRETE FOR FOUNDATIONS SHALL BE POURED CONTINUOUSLY CREATING A MONOLITHIC FOOTING. CONSTRUCTION JOINTS ARE NOT PERMITTED.

GENERAL NOTES:

- ERECTION OF STEEL STRUCTURE SHALL BE PERFORMED PER ALL AMERICAN INSTITUTE OF STEEL CONSTRUCTION (AISC) ERECTION PROVISIONS.
- ALL CONCRETE WORK SHALL BE PERFORMED IN ACCORDANCE WITH ACI BUILDING CODE REQUIREMENTS FOR REINFORCED CONCRETE. (ACI 318-11). ALL CONCRETE SHALL HAVE A MINIMUM COMPRESSIVE STRENGTH AT 28 DAYS OF 3000 PSI AND A MINIMUM UNIT WEIGHT OF 145 PCF. REINFORCING STEEL SHALL BE NEW BILLET STEEL DEFORMED BARS CONFORMING TO ASTM A615, GRADE 60.
- STRUCTURAL STEEL SHALL CONFORM TO: Wide Flange Beams - ASTM A992, Grade 50, Fy = 50 KSI; Structural Angle and Channel - ASTM A36, Fy = 36 KSI; Structural Plate - ASTM A572, Grade 50, Fy = 50 KSI; Structural Tubing - ASTM A500, Grade B, Fy = 46 KSI; Structural Pipe - ASTM A500, Grade B, Fy = 42 KSI.
- LIGHT GAUGE COLD FORMED SHAPES SHALL CONFORM TO ASTM A653 AND ASTM C-955. ALL MEMBERS SHALL BE FORMED FROM MATERIAL HAVING A 50 KSI MINIMUM YIELD STRENGTH.
- BOLTS SHALL CONFORM TO ASTM A325 FOR STRUCTURAL STEEL CONNECTIONS. BOLTS SHALL BE TIGHTENED TO SNUGTIGHT PER AISC 4 RCSC SPECIFICATIONS.
- MINIMUM REQUIRED SOIL BEARING PRESSURE OF 2000 PSF SHALL BE PROVIDED BY THE OWNER.
Roof Live Load = 20 PSF
Roof Snow Load (ASCE 7-10):
Ground Snow Load - Pg = 5 PSF
Flat Roof Snow Load - Pf = 5 PSF
Snow Exposure Factor - Ce = 1.0
Snow Importance Factor - Is = 1.0 (Risk Category II)
Thermal Factor - Ct = 1.2
Wind Load (ASCE 7-10):
Ultimate Wind Speed (3-sec. Gust) - V = 115 MPH
Lateral = 25 PSF (0.6 W FOR ASD)
Uplift = 20 PSF (0.6 W FOR ASD)
Wind Importance Factor - Iw = 1.0 (Risk Category II)
Wind Exposure - B
Internal Pressure Coefficients - GCp1 = 0.00 (Open Bldg.)
SEISMIC LOAD: (ASCE 7-10)
Seismic Importance Factor - Is = 1.00 (Risk Category II)
Risk Category - II
Mapped MCEer Response Accelerations At Short Periods - Ss = 0.18 g - Fa = 1.6
Mapped MCEer Response Accelerations At 1-Sec. Period - S1 = 0.09 g - Fv = 2.4
Site Class - D ASSUMED
Design Spectral Response Acceleration At Short Periods - Sds = 0.192g
Design Spectral Response Acceleration At 1-Sec. Period - S1s = 0.144g
SEISMIC DESIGN CATEGORY - C
- STRUCTURAL AND MISCELLANEOUS STEEL SUBJECTED TO EXTERIOR EXPOSURE HAS BEEN PRIMED COATED ONLY. FIELD TOUCH-UP, FINISH PAINTING AND MAINTENANCE ARE THE RESPONSIBILITY OF THE OWNER.
- FOUNDATIONS (WHERE SHOWN) HAVE BEEN SIZED FOR GIVEN LOADS AND ALLOWABLE SOIL PRESSURE. THEIR DESIGN ASSUMES THAT THERE ARE NO BURIED TANKS OR OTHER NEARBY OBSTRUCTIONS THAT WOULD BE DETRIMENTAL TO THEIR PROPER FUNCTION. THE ENGINEER OF RECORD SHALL BE NOTIFIED PRIOR TO CONSTRUCTION OF FOUNDATIONS FOR THE RESOLUTION OF ANY CONFLICT. WHERE FOUNDATION DETAIL IS NOT SHOWN MCGEE CORPORATION AND THEIR ENGINEERS TAKE NO RESPONSIBILITY FOR FOUNDATION DESIGN.
- ALL WELDED CONNECTIONS SHALL BE IN ACCORDANCE WITH LATEST AWS SPECIFICATIONS, USING E70XX ELECTRODES. ALL WELDING SHALL BE PERFORMED BY AN AWS CERTIFIED WELDER.

SITE CONDITIONS / REQUIREMENTS

- PROVIDE A DRIVE ACCESSIBLE AREA TO WITHIN 15'-0" FROM THE EDGE OF CANOPY FASCIA IN ORDER TO UNLOAD MATERIALS AND PERFORM WORK.
- FILL ALL OPEN TANK HOLES AND TRENCHES WITHIN 15'-0" FROM THE EDGE OF CANOPY FASCIA FROM THE TIME THAT THE STRUCTURE ARRIVES AND UNTIL ERECTION IS COMPLETE.
- THE JOB SITE MUST BE GRADED LEVEL WITH NO SWELLS, DITCHES, OR TOPOGRAPHICAL IRREGULARITIES WITHIN 15'-0" FROM THE EDGE OF CANOPY FASCIA. ANY CONCRETE POURED PRIOR TO MCGEE'S ARRIVAL MUST HAVE HAD AMPLE TIME TO CURE AND BE ABLE TO SUPPORT THE WEIGHT OF MCGEE'S TRAILERS AND CRANES.
- THE JOB SITE MUST BE DRY ENOUGH FOR MCGEE'S VEHICLES AND PERSONNEL TO PERFORM WORK. IF NECESSARY THE GENERAL CONTRACTOR SHOULD LAY GRAVEL IN EXCESSIVELY MUDDY AREAS TO ENSURE ADEQUATE WORK CONDITIONS.
- POURED CONCRETE PAVING UNDER THE CANOPY TO BE EXCLUSIVELY FOR WORK SPACE AND STORAGE OF MATERIALS.
- REMOVE ALL OVERHEAD OBSTRUCTIONS.
- FORM, SET, AND POUR FOUNDATIONS PER MCGEE'S SITE SPECIFIC APPROVED FOUNDATION PLAN. ALL FORMS SHALL BE REMOVED PRIOR TO MCGEE'S ARRIVAL. ALL THREADS SHALL BE FREE FROM DEBRIS AND DUST AND SHALL BE ACCESSIBLE.
- INSTALL ALL ANCHOR BOLTS W/ NUTS. SET AT PROPER ELEVATIONS WITH NO MORE THAN 1/4" TOLERANCE.
- PROVIDE TEMPORARY POWER SOURCE (110 VOLTS) WITHIN 100 FEET OF THE STRUCTURE FOR INSTALLERS USE.
- OBTAIN ALL REQUIRED PERMITS FROM LOCAL AUTHORITIES AND ARRANGE ALL LOCAL INSPECTIONS.
- VERIFY ALL EXISTING CONDITIONS AND DIMENSIONS. ANY DEVIATIONS FROM THESE DRAWINGS DUE TO FIELD CONDITIONS SHALL BE BROUGHT TO THE ATTENTION OF THE PROJECT ENGINEER FOR MODIFICATIONS.

PLEASE REVIEW ALL DRAWINGS, SIGN AND RETURN FOR FABRICATION OF CANOPY

CANOPY SIZE	<input type="checkbox"/> APPROVED AS SUBMITTED
	<input type="checkbox"/> APPROVED WITH NOTED CHANGES
COLUMN SPACING	<input type="checkbox"/> APPROVED AS SUBMITTED
	<input type="checkbox"/> APPROVED WITH NOTED CHANGES
CLEARANCE	<input type="checkbox"/> APPROVED AS SUBMITTED
	<input type="checkbox"/> APPROVED WITH NOTED CHANGES
SIGNAGE	<input type="checkbox"/> NUMBER APPROVED AS SUBMITTED
	<input type="checkbox"/> LAYOUT APPROVED AS SUBMITTED
	<input type="checkbox"/> APPROVED WITH NOTED CHANGES
DECALS	<input type="checkbox"/> APPROVED AS SUBMITTED
	<input type="checkbox"/> APPROVED WITH NOTED CHANGES
LIGHTS	<input type="checkbox"/> NUMBER APPROVED AS SUBMITTED
	<input type="checkbox"/> LAYOUT APPROVED AS SUBMITTED
	<input type="checkbox"/> APPROVED WITH NOTED CHANGES

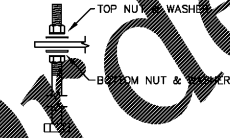
ELEVATION FORMS FORWARDED TO GENERAL CONTRACTOR

APPROVED BY: _____

DATE: _____

NOTE: SIGNED SALES ORDER, APPROVAL DRAWINGS, AND A COMPLETED ELEVATION FORM MUST BE RECEIVED AT LEAST 3 WEEKS PRIOR TO DELIVERY OF ANY CANOPY MATERIALS. REQUESTED DELIVERY DATE: _____

ANCHOR BOLT NUT TIGHTENING PROCEDURE:
SET AND PLUMB THE COLUMN, PER AISC ERECTION PROVISIONS. USE DOUBLE NUTS OR REQUIRED NUMBER OF ANCHOR BOLTS. THE BOTTOM NUT SHALL HAVE A FLAT WASHER BETWEEN THE BOTTOM OF BASEPLATE AND THE TOP OF THE NUT. THE TOP NUT SHALL HAVE A WASHER BETWEEN THE TOP OF BASEPLATE AND THE BOTTOM OF THE NUT. AFTER THE COLUMN IS SET AND PLUMB, TIGHTEN TOP NUT TO SNUGTIGHT CONDITION WITH TOP OF THE BASEPLATE (FULL EFFORT ON A WASHER).



LAWRENCE R. PILON/ PROFESSIONAL ENGINEER
51 MAPLEVIEW DRIVE/PENNELVILLE, NY 13132
(315) 668-0039

MCGEE CORPORATION
12701 East Independence Blvd., P.O. Box 1375, Matthews, NC 28106-1375
Phone: (704) 882-1900
Fax: (800) 528-5589

PR. JOB NO. 54661
FINAL JOB NO. 54661
DRAWING NO. P054661

RACETRAC #1242
MLK PKWY & ZEBULON RD
GRIFFIN, GA 30223 (SPALDING)

SCALE: 1/8"=1'-0"
DATE: 8/24/17
IN ACCORDANCE WITH REV. LETTER: A
DRAWN BY: LLE
CHK'D BY:

These prints are the property of McGee Corp. Reproduction or reuse is prohibited without written permission.

METAL CANOPY 40'-0" x 219'-4"
FOUNDATION PLAN
SHEET NO. 1 OF 4