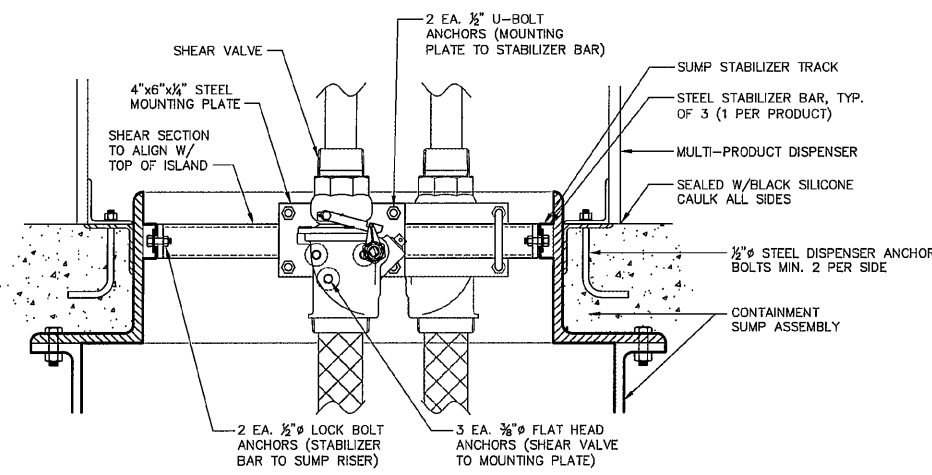
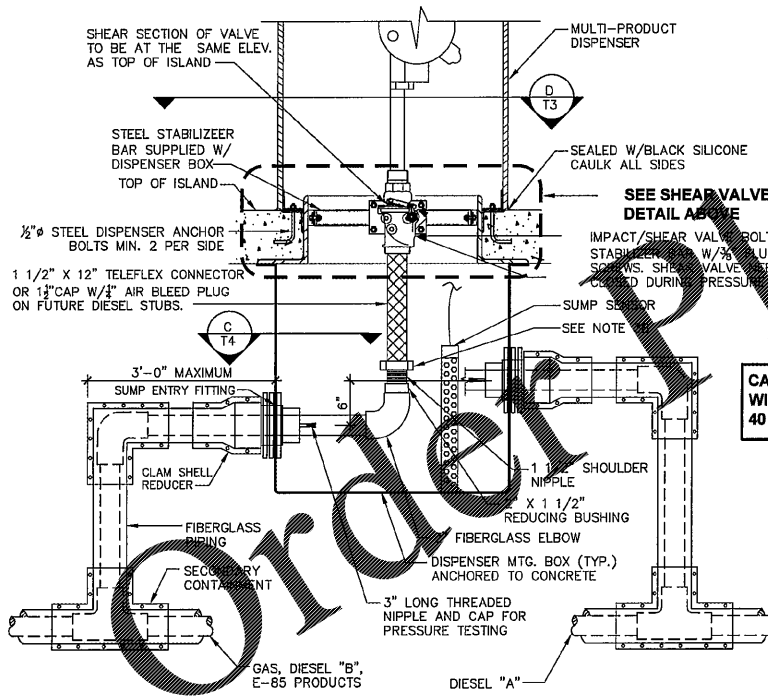


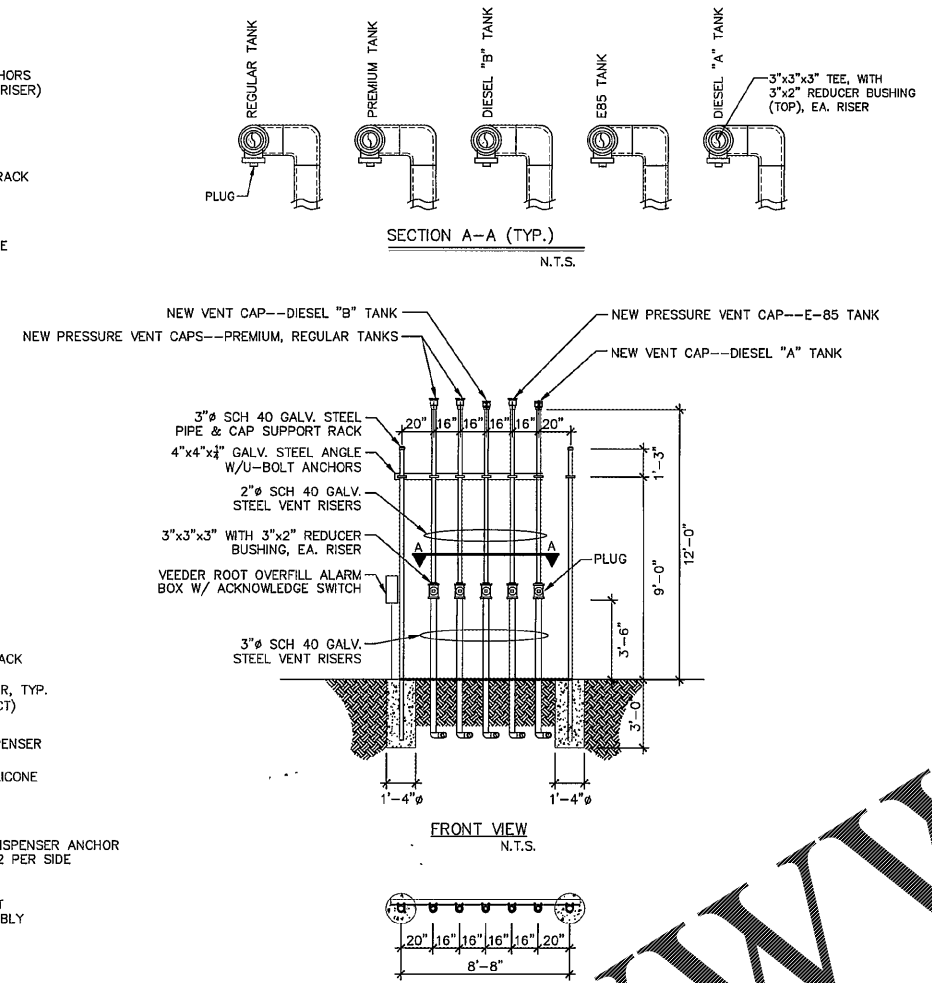
SHEAR VALVE ANCHOR DETAIL - PLAN
N.T.S.



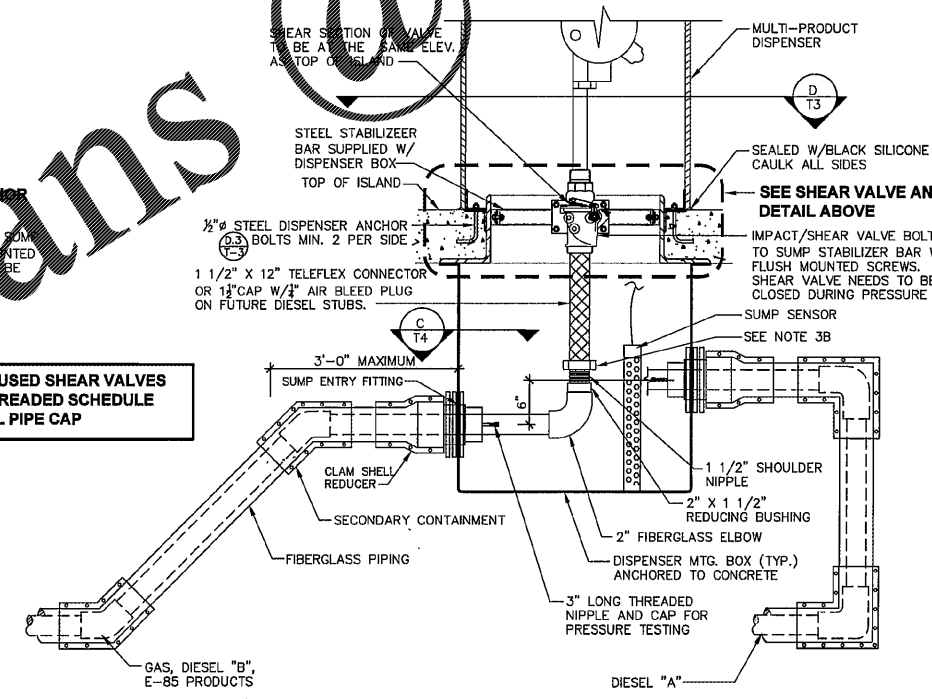
SHEAR VALVE ANCHOR DETAIL - ELEVATION
N.T.S.



B
T4 INTERMEDIATE DISPENSER CONNECTION DETAIL
N.T.S.



D
T4 VENT RISER DETAIL
N.T.S.



C
T4 END DISPENSER CONNECTION DETAIL
N.T.S.

MAY 7 2018	PART DESCRIPTION	SPECIFICATION	QUANTITY	FURN.	EQ. NUM.
UNDERGROUND STORAGE TANKS					
	VERVES DOUBLE WALL FIBERGLASS, UL 1316, 10'4, 20,000 GALLON UST W/VERVES MANUFACTURED DEADMAN ANCHORS.		ONE	OWNER	EQ-200
	VERVES DOUBLE WALL FIBERGLASS, UL 1316, 10'4, 20,000 GALLON UST COMPARTMENTED (10K-10K) W/VERVES MANUFACTURED DEADMAN ANCHORS.		TWO	OWNER	EQ-200
	42\" SUMP COLLARS		SEE PLANS	OWNER	
	HOLD DOWN STRAPS/TURNUCKLES		SEE PLANS	OWNER	
TANK EQUIPMENT					
	2 HP VARIABLE SUBMERGED TURBINE PUMP W/IFS-AG-COMPATIBLE	FE PETRO: COMPARTMENTED TANKS	1/COMPARTMENT	OWNER	EQ-335
	4 HP VARIABLE SUBMERGED TURBINE PUMP W/IFS-AG-COMPATIBLE	FE PETRO: REGULAR TANK ONLY	2/TANK	OWNER	EQ-335
	VARIABLE FREQUENCY CONTROLLER (VFC)	FE PETRO	1/STP	OWNER	
	42\" STP CONTAINMENT SUMPS, CURB MOUNT (TURBINE)	PETROLEUM CONTAINMENT TS424242-3CO	1/STP	OWNER	EQ-200
	42\" CONTAINMENT SUMPS, CURB MOUNT (VAPOR)	PETROLEUM CONTAINMENT TS424242-3CO	1/SPLIT TANK	OWNER	EQ-203
	FLEXING TEE FLEX CONNECTOR ASSEMBLY W/EZ FIT	FLX-217MS-EZT	1/DIESEL STP	OWNER	
	FLEXING ELBOW FLEX CONNECTOR ASSEMBLY W/EZ FIT	FLX-217MS-EZ90	1/GASOLINE STP	OWNER	
	FLEXING ELBOW FLEX CONNECTOR ASSEMBLY W/EZ FIT	FLX-217MS-EZ90-SS	1/FUTURE STP	OWNER	
	15 GALLON SPILL CONTAINER-FILL	EMCO WHEATON EW-A1004-EVR-215S	1/PRODUCT	OWNER	EQ-595
	4\" X 4\" TIGHT FILL BRASS ADAPTER	EMCO WHEATON EW-A30-124	1/PRODUCT	OWNER	
	4\" TIGHT FILL CAP	EMCO WHEATON EW-A97-005	1/PRODUCT	OWNER	
	4\" DROP TUBE-1\"	EMCO WHEATON EW-A20-007	1/PRODUCT/TANK	OWNER	
	REMOTE FILL GAGE	EMCO WHEATON #493436	1/DIESEL TANK	OWNER	EQ-594
	5 GALLON SPILL CONTAINER-VAPOR	EMCO WHEATON EW-A1004-711A-E	1/STP	OWNER	
	VAPOR RECOVERY 4\" X 4\" ADAPTER-SWIVEL	EMCO WHEATON EW-A76	1/STP	OWNER	
	VAPOR RECOVERY 4\" CAP	EMCO WHEATON EW-A20-002	1/STP	OWNER	
	4\" X 4\" X 2\" TEE EXTRACTOR FITTING (DIESEL PRODUCT)	OPW-233-4420	1/PRODUCT/TANK	OWNER	
	4\" X 4\" X 3\" X 2\" EXTRACTOR FITTING (GASOLINE + FUTURE PRODUCT)	OPW-233-4420	1/PRODUCT/TANK	OWNER	
	4\" PIPE CAP	OPW-116-700	1/PRODUCT/TANK	OWNER	
	O/F PREVENTION VALVE, EXCLUDING ATLANTA METRO AREA LOCATIONS	EMCO WHEATON EW-A1100-TURBIDIAN	1/PRODUCT/TANK	OWNER	EQ-414
	O/F PREVENTION VALVE, ATLANTA METRO AREA LOCATIONS ONLY	OPW 71 SO	1/PRODUCT/TANK	OWNER	EQ-687
	2\" PRESSURE-VACUUM VENT CAP, GASOLINE, E85 & BLENDED PRODUCTS	OPW 723V	1/PRODUCT/TANK	OWNER	
	2\" VENT CAP, DIESEL	OPW-23-003	1/PRODUCT/TANK	OWNER	
	MONITORING WELL CASING WITH LOCKING CAP (ONLY WHERE REQUIRED)	VARIES	VARIES	G.C.	
	12\" MONITORING WELL MANHOLE (ONLY WHERE REQUIRED)	VARIES	VARIES	OWNER	
	18\" WATERTIGHT MANHOLE	OPW-1717-0189D	1/SEE PLANS	OWNER	
	24\" WATERTIGHT MANHOLE	OPW-1110-24WT	1/SEE PLANS	OWNER	
	39\" WATERTIGHT MANHOLE W/ ROTOR LOCK	OPW CONQUISTADOR	1/STP SUMP	OWNER	
	39\" WATERTIGHT MANHOLE W/ ROTOR LOCK	OPW CONQUISTADOR	1/TRANSITION SUMP	OWNER	
	39\" WATERTIGHT MANHOLE W/ ROTOR LOCK	OPW CONQUISTADOR	1/VAPOR SUMP	OWNER	
	TANK IDENTIFICATION PLATES	VARIES	1/PRODUCT	OWNER	
PRODUCT RECOVERY TRANSITION SUMPS					
	PRODUCT: 2\" CORAL D/W FIBERGLASS	AMERON DUALOY 3000/LCX COAXIAL PIPE	SEE PLAN	G.C.	EQ-291
	VAPOR RECOVERY S/W FIBERGLASS	AMERON DUALOY 3000/L PIPE	SEE PLAN	G.C.	EQ-378
	VENT: 3\" S/W FIBERGLASS	AMERON DUALOY 3000/L PIPE	SEE PLAN	G.C.	EQ-378
	8\" PCI TRANSITION SUMP (PIPING)	PETROLEUM CONTAINMENT TS484848-3B0	2/SITE	OWNER	EQ-203
DISPENSER EQUIPMENT					
	MFD W/SPEAKER KIT, CALIBRATION AND CRIND	GILBARCO ENCORE 700S	SEE PLAN	OWNER	
	MFD CONSOLE	RADIANT	1/SITE	OWNER	
	MFD DISPENSER CONTAINMENT BOX WITH 4 STABILIZER BARS	PETROLEUM CONTAINMENT DCL-146360	1/MPD	OWNER	EQ-203
	DISPENSER/PIPING SUMP ENTRY ADAPTERS	SMITH FG SP 4X3CR & SP-SE/FT-3	SEE PLAN	OWNER	
	DISPENSER II DISPENSER/PIPING SUMP ENTRY ADAPTERS	SMITH FG SP-SE/FT-25W	SEE PLAN	OWNER	
	1 1/2\" X 12\" FLEX CONNECTOR	FLX-11212MMS-SS	4/MPD	OWNER	
	TEST TEE AND 1\" BALL VALVE (ONLY IN STAGE II AREAS)	SEE PLAN	1/MPD	G.C.	
	HOSE/NOZZLE/BREAK-AWAY ASSEMBLY-GASOLINE (ASSEMBLED BY G.C.)	OPW 118P SERIES OR EQUAL, UL LISTED	2/MPD	OWNER	
	HOSE/NOZZLE/BREAK-AWAY ASSEMBLY-DIESEL (ASSEMBLED BY G.C.)	AUTOMATIC NOZZLE, MAX. HOSE LENGTH = 18'-0\"			
		OPW 11B OR EQUAL, UL LISTED			
		AUTOMATIC NOZZLE, MAX. HOSE LENGTH = 18'-0\"			
	1 1/2\" EMERGENCY VALVE FEMALE	OPW 10P	5/MPD	OWNER	
	PUMP TOPPERS	DISPENSER	SEE PLAN	OWNER	
	ISLAND FORMS	FORMEX OR EQUAL	SEE PLAN	OWNER	
MISCELLANEOUS EQUIPMENT					
	3/4\" ELECTRICAL GROMMET	OPW REF-XXXXC	1/STP AND 1/MPD	OWNER	
	1\" ELECTRICAL GROMMET	CROUSE-HINDS	2/STP-1	OWNER	
	2\" ELECTRICAL GROMMET		1/MPD	OWNER	
	EXPLOSION PROOF ELECTRICAL JUNCTION BOX		SEE PLAN	G.C.	
MONITORING EQUIPMENT					
	TANK MONITOR & FUEL GAUGE	VEEDER ROOT TLS350 PLUS	1/SITE	OWNER	EQ-033
	LINE LEAK DETECTOR	VEEDER ROOT 848480-001	1/PUMP	OWNER	EQ-271
	INTERSTITIAL MONITORING	VEEDER ROOT 794390-420	1/TANK	OWNER	EQ-614
	SUMP (STP, TRANSITION & DISPENSER) MONITORING	VEEDER ROOT 794380-208	1/SUMP	OWNER	EQ-197

NOTES:

- ALL CLAMPS ON SECONDARY CONTAINMENT TO BE TORQUED TO 60 FT. LBS.
- SEE SITE PLAN FOR SPECIFIC TANK AND DISPENSER QUANTITIES, LOCATIONS, CAPACITIES, ETC.
- ALL THREADED METAL PIPE CONNECTIONS TO BE MADE UP WITH GASOLINE-E-SEAL FOR GASOLINE LINES AND JOMAR "THE HEAVYWEIGHT" FOR DIESEL LINES. NO SUBSTITUTIONS WILL BE ACCEPTED.
- ALL CONNECTIONS OF FIBER GLASS PIPE THREADED COUPLINGS TO METAL PIPE SHALL BE DONE USING 7000 OR 8000 SERIES ADHESIVE.
- CONTRACTOR TO CHECK ALL FACTORY CONNECTIONS ON DISPENSER MOUNTING BOXES FOR ADEQUATE SEALING OF PRODUCT.
- ALL FIBERGLASS PIPING & FITTINGS TO BE AMERON DUALOY 3000/LCX COAXIAL.
- ALL PIPING (PRODUCT, STAGE TWO VAPOR RECOVERY, SECONDARY CONTAINMENT) TO SLOPE 1/8\" PER FOOT BACK TO TANK.
- USE ONLY 8000 OR 7000 SERIES ADHESIVES TO JOIN PRIMARY PRODUCT AND SECONDARY CONTAINMENT PIPE AND FITTINGS (DS-8014, DS-8024, DS-8055, DS-8069, DS-7014, DS-7024, OR DS-7069 ADHESIVE KITS) FOR ALCOHOLS AND ALCOHOL-GASOLINE MIXTURES. WHEN JOINING SECONDARY CONTAINMENT FITTINGS, A SPECIAL FILLER FROM SMITH FIBERGLASS PRODUCTS MUST BE ADDED TO THE 8000 AND 7000 SERIES ADHESIVES. WHEN USING THESE ADHESIVES, FOLLOW THE INSTRUCTIONS PACKAGED WITH EACH ADHESIVE KIT.
- ALL DISPENSER BOX PENETRATIONS TO BE TESTED WITH WATER FOR LEAKS PRIOR TO BACKFILLING AROUND BOX.
- ALL STAGE TWO VAPOR RECOVERY LINES TO BE BLOCK TESTED BY G.C. PRIOR TO PAVING OVER PIPING.
- G.C. RESPONSIBLE FOR PAINTING ALL EXPOSED METAL ON VENT RISERS AND SUPPORTS.
- ALL GALVANIZED RISER PIPE & FITTINGS THAT COMES IN CONTACT WITH BACKFILL SOIL OR PEA GRAVEL IS TO BE COATED WITH A BITUMINOUS COATING AND WRAPPED W/3M TAPE FOR CORROSION PROOFING.
- ACCESS TO SECONDARY IS OPEN IN AT LEAST ONE FITTING IN THE SUMP.
- ALL EXPOSED CONDUIT, PIPING & SUPPORT STRUCTURES PAINTED BRONZE TO MATCH BOLLARDS.
- ALL PIPING AND ELECTRICAL INSTALLATIONS MUST CONFORM TO ALL APPLICABLE REGULATIONS INCLUDING NFPA30, FLAMMABLE & COMBUSTIBLE LIQUIDS CODE; NFPA30A, AUTOMOTIVE & MARINE SERVICE STATION CODE; NFPA70, NATIONAL ELECTRICAL CODE. DO NOT "DAISY CHAIN" THE DISPENSER POWER CIRCUIT TO ANY OTHER EQUIPMENT.
- SLOPE PIPING FROM TANK TO DISPENSER UPWARDS, AVOIDING AIR OR LIQUID TRAPS.
- USE UNIVERSAL JOINTS AT DISPENSER TO ALLOW FOR GROUND MOVEMENT.
- USE ANY OR ALL CONDUIT TAPS SHOWN TO MAKE ELECTRICAL CONNECTIONS TO DISPENSER.
- FIRMLY MOUNT DISPENSER TO THE ISLAND USING THE ANCHOR BOLT LOCATIONS SHOWN.
- BREAKAWAY DEVICES ARE EXAMPLES OF REQUIREMENTS STATED IN THE NFPA30A AUTOMOTIVE & MARINE SERVICE STATION CODE. THESE, AS WELL AS ANY OTHER SAFETY DEVICES REQUIRED BY NFPA30 & 30A, MUST BE INSTALLED AND MAINTAINED PER THE MANUFACTURER'S INSTRUCTIONS.
- SPEAKER INSTALLATION WIRING IS LOCATED IN JUNCTION BOX. CONNECT INTERCOM CIRCUIT TO A LISTED CLASS 2 POWERED INTERCOM ONLY WITH BELDEN #88723, 22GA, 2-PAIR, 300 VOLT, SHIELDED CABLE. WIRES BACK TO INTERCOM CONSOLE MUST BE RUN IN SEPARATE DEDICATED CONDUIT.
- ALL EQUIPMENT USED FOR E85 FUEL SHALL BE COMPATIBLE WITH THE PRODUCT.

Racetrac
COPYRIGHT NOTICE
THESE PLANS ARE SUBJECT TO FEDERAL COPYRIGHT LAWS. ANY USE OF SAME WITHOUT THE EXPRESSED WRITTEN PERMISSION OF RACETRAC PETROLEUM, INC. IS PROHIBITED. 2011 RACETRAC PETROLEUM INC.

ISSUE/REVISION RECORD

DATE	DESCRIPTION	PER
7/17/16	DELETED ONE DISPENSER & CHANGED STP TO 2 HP FOR COMPARTMENTED TANK PER CLIENT	

Racetrac
RACETRAC PETROLEUM, INC.
3225 CUMBERLAND BOULEVARD
SUITE 100
ATLANTA, GEORGIA 30338
(770) 481-7600

PROJECT NAME
GRIFFIN

GRIFFIN GEORGIA
MARTIN LUTHER KING
and ZEBULON ROAD

RACETRAC PROJECT NUMBER
1242

PLAN SERIES
2011 BR-RH-M90 0801

PLAN MODIFICATION NOTICE
NO MODIFICATIONS APPLIED
MODIFICATIONS APPLY

STANDARD PLAN BULLETINS (SPB) MODIFY THE PLAN SERIES SET NOTED ABOVE. THE SPB GIVEN ABOVE REPRESENTS THE LATEST MODIFICATION INCORPORATED TO THIS PLAN SERIES SET. CONTACT RACETRAC ENGINEERING AND CONSTRUCTION FOR ALL BULLETINS.

PROFESSIONAL SEAL

GEORGIA REGISTERED PROFESSIONAL ENGINEER
RICHARD R. MORRIS
GA REG # PE013997
JUL 16 2008

PROJECT NUMBER
17179

SHEET TITLE
DISPENSER DETAILS

SHEET NUMBER
RT-T4.0
ISSUED FOR CONSTRUCTION