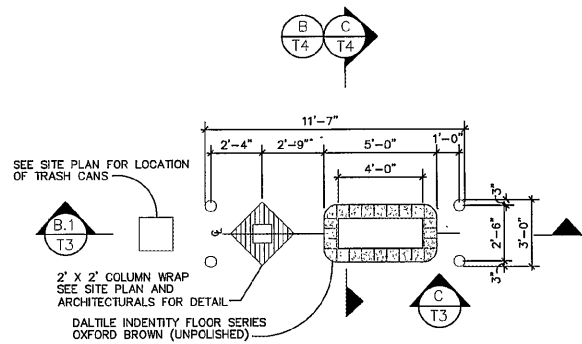
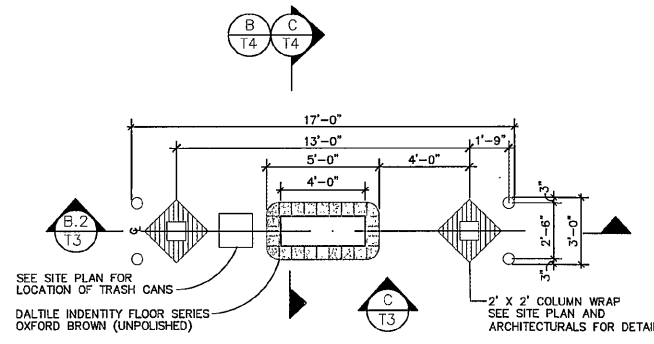


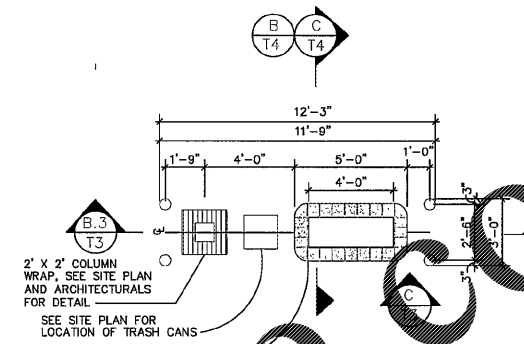
A PUMP ISLAND DETAIL
T3
1. SEE SITE PLAN FOR SPECIFIC ISLAND LAYOUT(S) N.T.S.



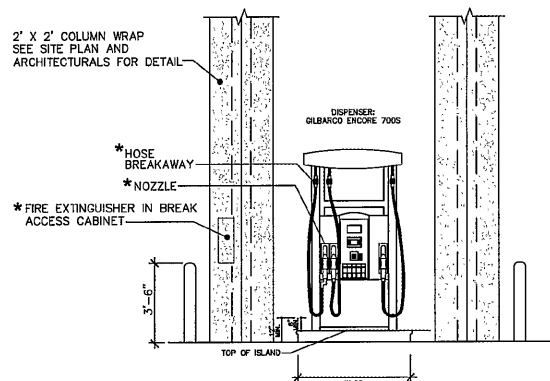
A.1 TYPICAL PUMP ISLAND DETAIL
T3
1. SEE SITE PLAN FOR SPECIFIC ISLAND LAYOUT(S) N.T.S.



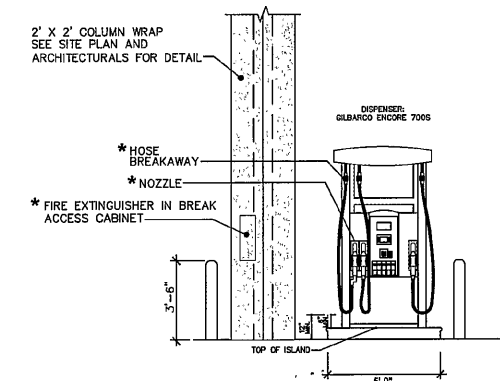
A.2 PUMP ISLAND DETAIL
T3
1. SEE SITE PLAN FOR SPECIFIC ISLAND LAYOUT(S) N.T.S.



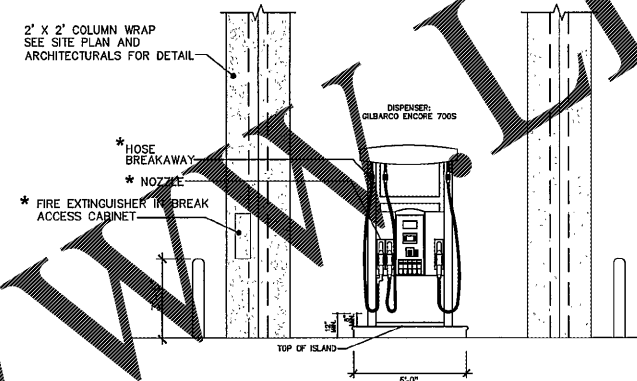
A.3 TYPICAL PUMP ISLAND DETAIL
T3
1. SEE SITE PLAN FOR SPECIFIC ISLAND LAYOUT(S) N.T.S.



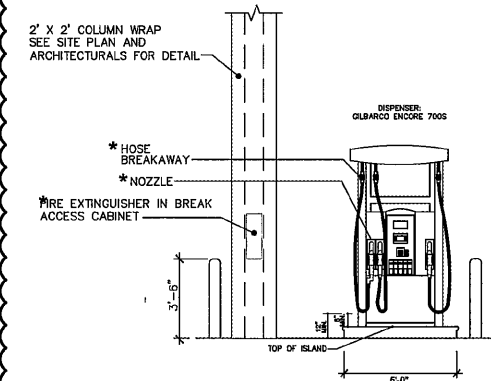
B PUMP ISLAND ELEVATION
T3
GILBARCO ENCORE DISPENSER N.T.S.



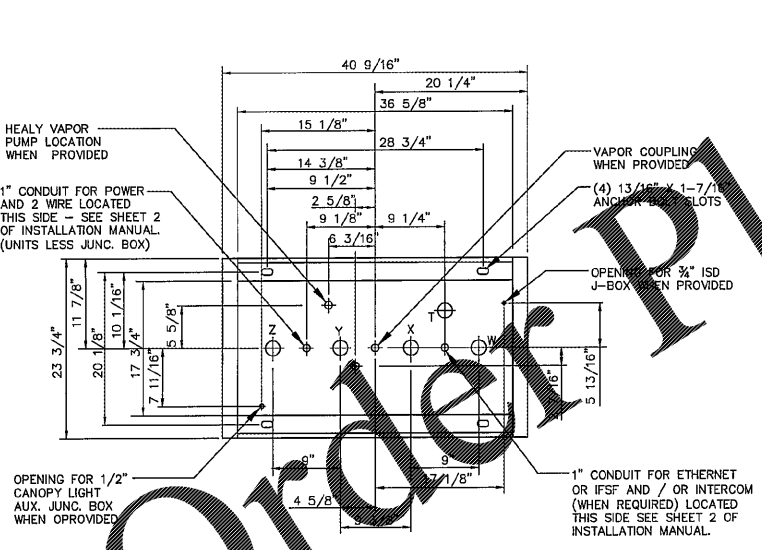
B.1 PUMP ISLAND ELEVATION
T3
GILBARCO ENCORE DISPENSER N.T.S.



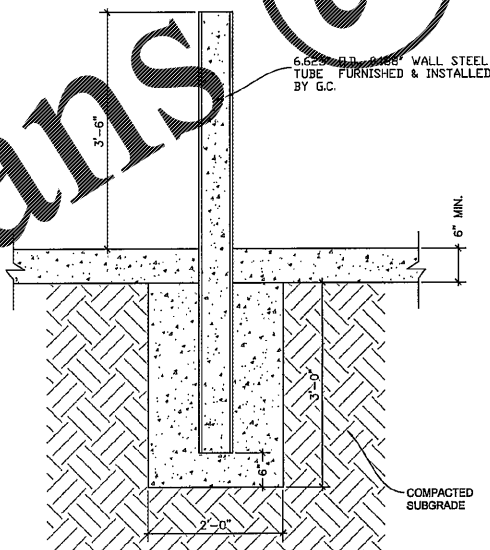
B.2 PUMP ISLAND ELEVATION
T3
GILBARCO ENCORE DISPENSER N.T.S.



B.3 PUMP ISLAND ELEVATION
T3
GILBARCO ENCORE DISPENSER N.T.S.

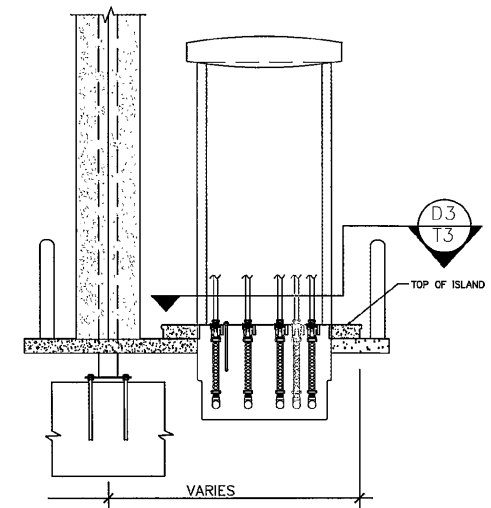


D TYP. DISPENSER BASE DIAGRAM (PIPE & CONDUIT LOCATIONS)
T3
GILBARCO ENCORE 700 DISPENSER (3+1+1) N.T.S.



D.5 PROTECTIVE BOLLARD DETAIL
T3
N.T.S.

- 6", SCHEDULE 40 SMOOTH SEAMLESS PIPE FURNISHED AND INSTALLED GENERAL CONTRACTOR.
- BUMPER POSTS TO BE PLUMB AND ALIGNED IN A STRAIGHT LINE AND FILLED WITH CONCRETE.
- TOPS TO BE GROUND SMOOTH W/ SQUARE EDGE, THE PRIMED WITH "END RUST" BY DURO AND PAINTED WITH INDUSTRIAL OIL BASED ENAMEL COLOR TO MATCH DECORATIVE LIGHT POLES.
- REFER TO PAVING PLAN FOR EXACT CONCRETE THICKNESS.
- REFER TO PAVING PLAN FOR CONCRETE COMPRESSIVE STRENGTH & SUBGRADE COMPACTION REQUIREMENTS.



C TYP. PUMP ISLAND SECTION
T3
N.T.S.

- * NOTES:**
- FUEL NOZZLES TO BE UL LISTED, SEE SPECIFICATION SHEET T-4.
 - FUEL HOSE BREAKAWAYS TO BE UL LISTED, SEE SPECIFICATION SHEET T-4.
 - SHEAR VALVE TO BE RIGIDLY ANCHORED, SEE SPECIFICATION SHEET T-4.
 - FACILITY SHALL BE PROVIDED WITH NFPA 30A, 9.2.5.2/NFPA 10 HIGH FLOW FIRE EXTINGUISHER: AMEREX MODEL NO. 760, 4A:60B; C, 20 LB CAPACITY, OR EQUAL, WITHIN 100 FT OF ALL DISPENSING PUMPS & FILL PIPE OPENINGS.

Racetrac
COPYRIGHT NOTICE
THESE PLANS ARE SUBJECT TO FEDERAL COPYRIGHT LAWS. ANY USE OF SAME WITHOUT THE EXPRESSED WRITTEN PERMISSION OF RACETRAC PETROLEUM, INC. IS PROHIBITED. 2011 RACETRAC PETROLEUM INC.

ISSUE/REVISION RECORD

DATE	DESCRIPTION
7/18/18	ADDED DETAIL PER CLIENT

Racetrac
RACETRAC PETROLEUM, INC.
3225 GUMBERLAND BOULEVARD
SUITE 100
ATLANTA, GEORGIA 30339
(770) 431-7600

PROJECT NAME
GRIFFIN

GRIFFIN GEORGIA
MARTIN LUTHER KING and ZEBULON ROAD

RACETRAC PROJECT NUMBER
1242

PLAN SERIES
2011 BR-RH-M90 0801

PLAN MODIFICATION NOTICE

NO MODIFICATIONS APPLIED
 MODIFICATIONS APPLY

STANDARD PLAN BULLETINS (SPB) MODIFY THE PLAN SERIES SET NOTED ABOVE. THE SPB GIVEN ABOVE REPRESENTS THE LATEST MODIFICATION INCORPORATED TO THIS PLAN SERIES SET. CONTACT RACETRAC ENGINEERING AND CONSTRUCTION FOR ALL BULLETINS.

PROFESSIONAL SEAL

REGISTERED PROFESSIONAL ENGINEER
RICHARD R. MORRIS
JUL 18 2018
GA REG # PE013997

PROJECT NUMBER
17179

SHEET TITLE
ISLAND DETAILS

SHEET NUMBER
RT-T3.0

ISSUED FOR CONSTRUCTION