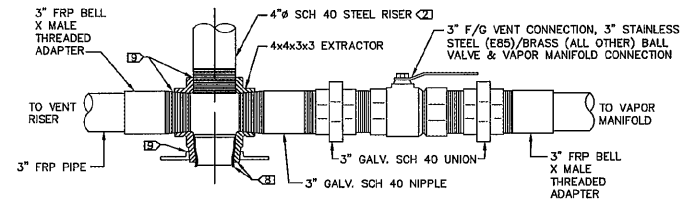
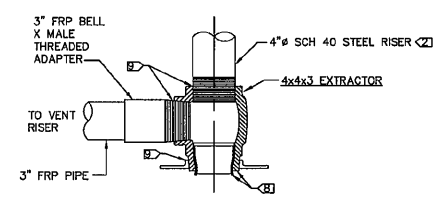


AUDIBLE OVERFILL ALARM TO BE SET AT 90% TANK CAPACITY

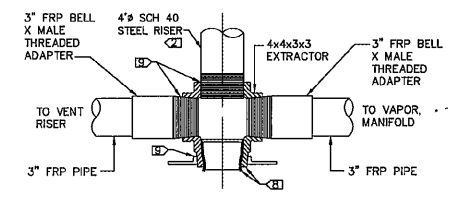
TANK OVERFILL PREVENTION ALARM & TANK LEVEL MONITOR  
N.T.S.



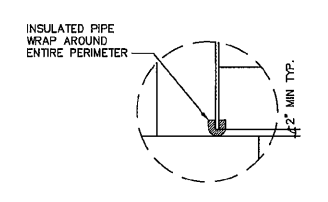
B1 VAPOR CROSS CONNECTOR  
N.T.S.



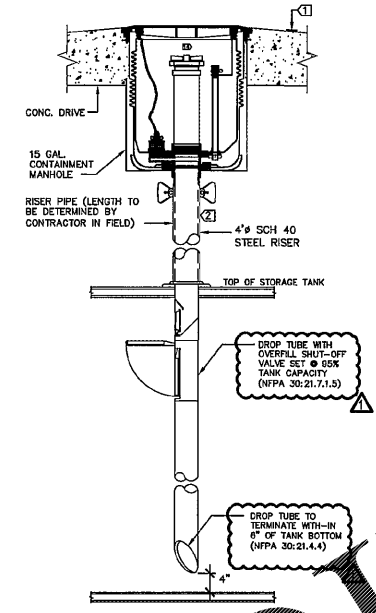
B3 VAPOR CROSS CONNECTOR  
N.T.S.



B4 VAPOR CROSS CONNECTOR  
N.T.S.



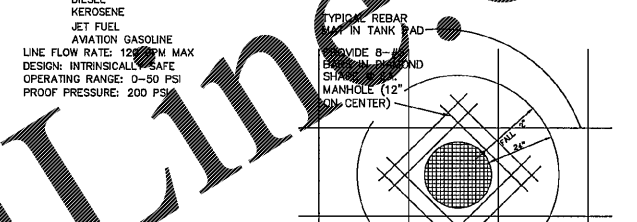
F MH EDGE WRAP DETAIL  
N.T.S.



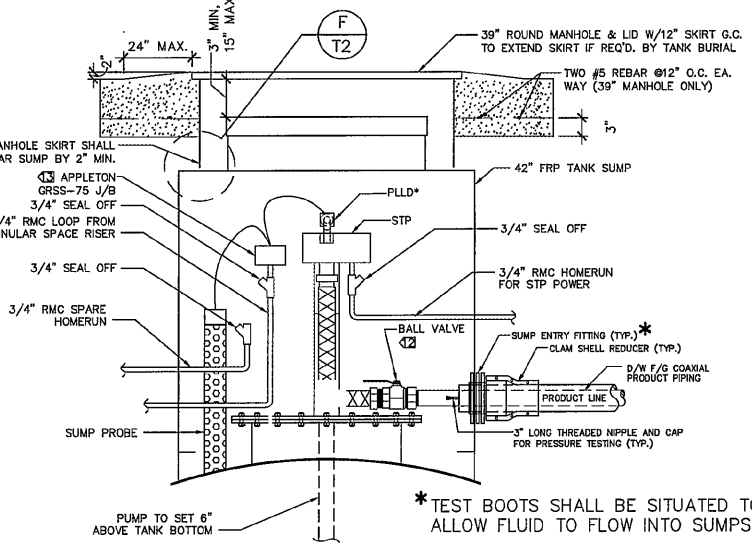
D/W 15 GAL. SPILL CONTAINMENT & O/F PREVENTION VALVE  
N.T.S.

- NOTES:**
- INSTALL IDENTIFICATION MARKER.
  - THOROUGHLY HAND CLEAN WITH WIRE BRUSH. APPLY COAL TAR. WRAP WITH TEST 3M TAPE.
  - INSTALL GROUNDING CONNECTOR TO RISER.
  - ALL REMOTE STAGE 1 VAPOR RECOVERY PIPE AND FITTINGS SHALL BE FRP.
  - MAINTAIN 2" MINIMUM COVER BETWEEN SLAB BOTTOM AND TOP OF FRP PIPE/FITTINGS.
  - SLOPE MINIMUM OF 1/8" PER FOOT.
  - 4" G.I. NIPPLE, STAGE ONE VR DRY BREAK AND LOCKING CAP. MAINTAIN 1-1/2" TO 2" BETWEEN CAP AND OVERFILL CONTAINER COVER. USE STABILIZER BARS SUPPLIED WITH OVERFILL CONTAINER TO ESTABLISH CORRECT FINISHED ELEVATION.

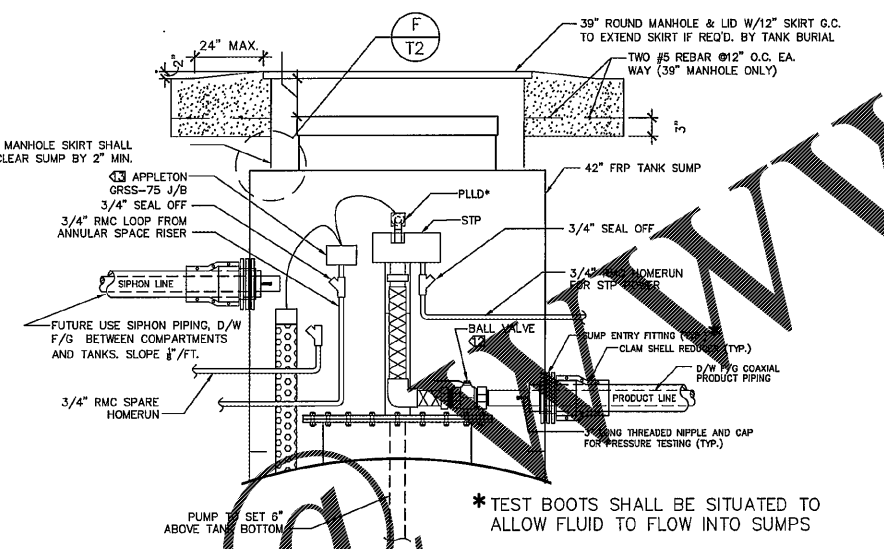
- \*LEAK DETECTOR SPECIFICATIONS**
- MANUFACTURER: VEEDER-ROOT  
TYPE: PRESSURIZED LINE LEAK DETECTOR FOR F.E. PETRO PUMPS  
MODEL NUMBER: 848480-001  
OPERATING TEMP.: -25° TO +130°F  
COMPATIBLE FUELS:  
UNLEADED GASOLINE  
LEADED GASOLINE  
5% METHANOL/95% UNLEADED  
10% ETHANOL/90% UNLEADED  
DIESEL  
KEROSENE  
JET FUEL  
AVIATION GASOLINE  
LINE FLOW RATE: 120 GPM MAX  
DESIGN: INTRINSICALLY SAFE  
OPERATING RANGE: 0-50 PSI  
PROOF PRESSURE: 200 PSI



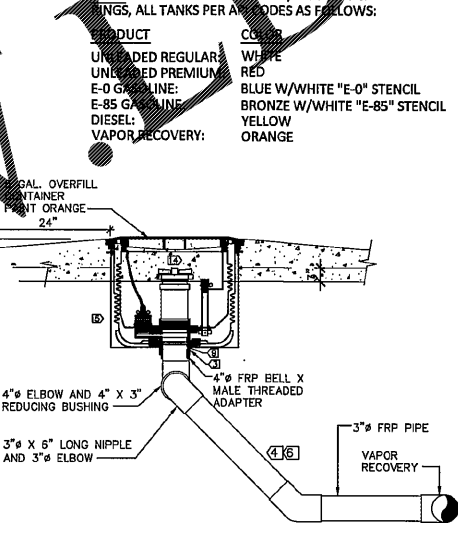
E TYPICAL MANHOLE PLAN  
N.T.S.



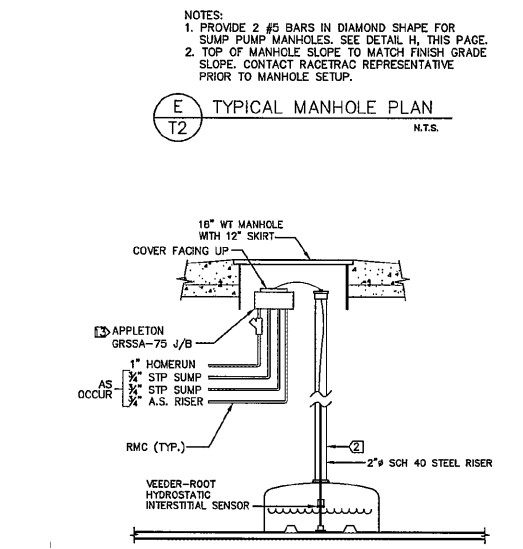
H1 SUBMERGED PUMP SUMP DETAIL (REG.)  
N.T.S.



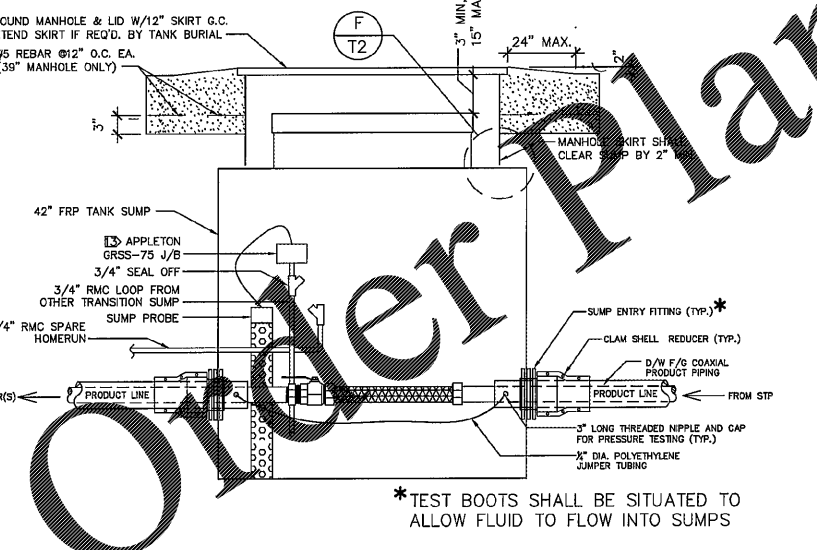
H2 SUBMERGED PUMP SUMP DETAIL (PREM, E85)  
N.T.S.



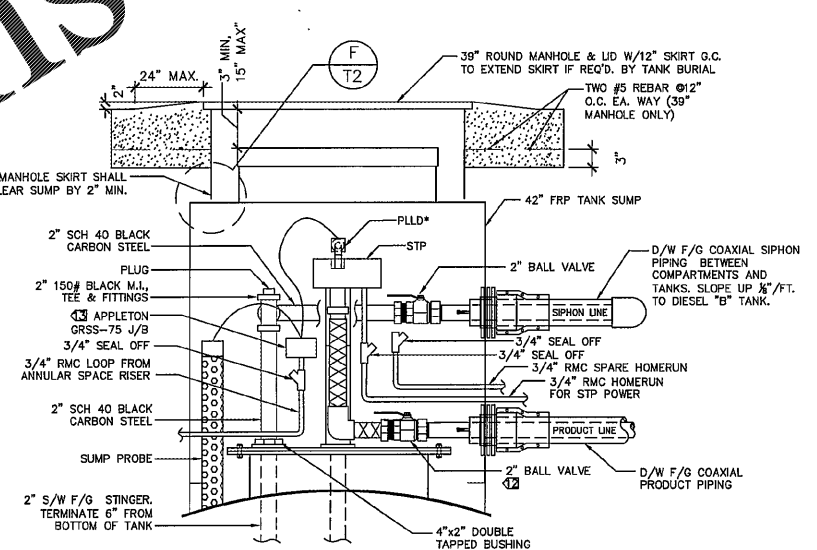
G1 STAGE 1 VAPOR RECOVERY  
N.T.S.



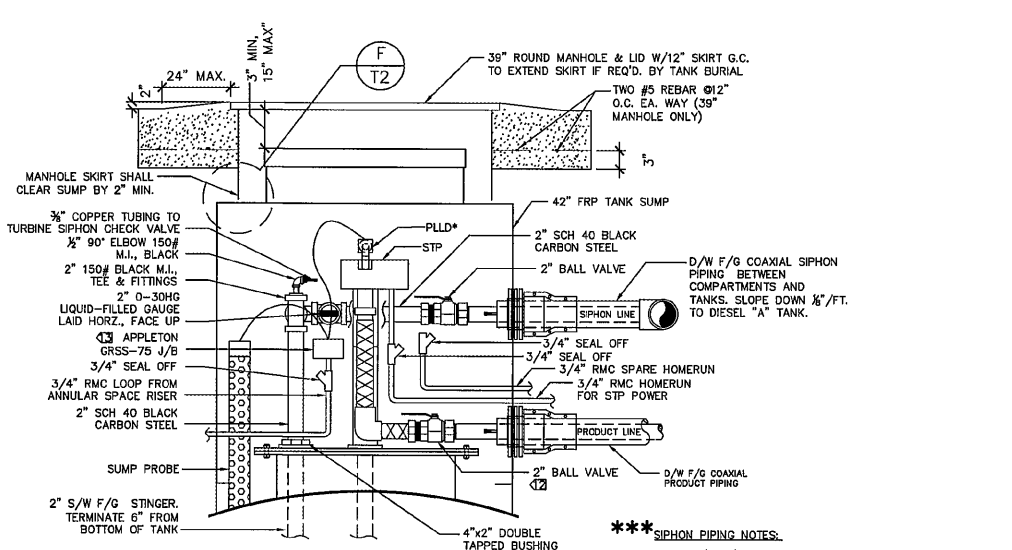
G4 JUST INTERSTITIAL MONITOR  
N.T.S.



H3 TRANSITION SUMP DETAIL  
N.T.S.



H4 SUBMERGED PUMP SUMP AND SIPHON PIPING DETAIL (DIES "A", DIES "B")  
N.T.S.



H5 DIESEL "A" TANK  
N.T.S.



H6 DIESEL "B" TANK  
N.T.S.

- \*\*\* SIPHON PIPING NOTES:**
- 2" D/W F/G SIPHON PIPING SLOPED 1/8" PER FT. BETWEEN SUMPS.
  - SIPHON PIPING INSTALLATION TO BE IN ACCORDANCE WITH API 1615, SECTION 9.2.4 OR CURRENT CODE.

DATE	DESCRIPTION
7/17/18	REV TANK FILL DETAIL & OVERFILL ALARM NOTE PER CLIENT

PROJECT NAME  
**GRIFFIN**

**GRIFFIN GEORGIA**  
MARTIN LUTHER KING and ZEBULON ROAD

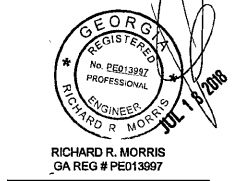
RACETRAC PROJECT NUMBER  
**1242**

PLAN SERIES  
**2011 BR-RH-M90 0801**

PLAN MODIFICATION NOTICE  
 NO MODIFICATIONS APPLIED  
 MODIFICATIONS APPLY

STANDARD PLAN BULLETINS (SPB) MODIFY THE PLAN SERIES SET NOTED ABOVE. THE SPB GIVEN ABOVE REPRESENTS THE LATEST MODIFICATION INCORPORATED TO THIS PLAN SERIES SET. CONTACT RACETRAC ENGINEERING AND CONSTRUCTION FOR ALL BULLETINS.

PROFESSIONAL SEAL



PROJECT NUMBER  
**17179**

SHEET TITLE  
**TANK & PIPING DETAILS**

SHEET NUMBER  
**RT-T2.0**

ISSUED FOR CONSTRUCTION