



ARCHITECTURE
 ENGINEERING
 3680 Pleasant Hill Road
 Suite 200
 Duluth, Georgia 30096
 p 770.622.9858
 f 770.622.9535
 www.hillfoleyross.com

© Copyright (see dated below)
 The drawing and all reproduction thereof are the property of
 Hill Foley Ross & Associates, LLC (HFR). It is intended for the
 sole use of the project named herein. Reproduction without the
 written consent of HFR is prohibited. All copies are to be
 returned to HFR upon project completion.

ISSUE/REVISION RECORD

DATE	DESCRIPTION
2018.08.22	PERMIT ISSUE

RACETRAC PETROLEUM, INC.
 200 GALLERIA PKWY SE
 SUITE 900
 ATLANTA, GEORGIA 30339
 (770) 431-7600

PROJECT NAME

GRIFFIN

GRIFFIN
 GEORGIA
 1638 US HWY 41
 GRIFFIN, GA 30223

RACETRAC PROJECT NUMBER

#1242

**PROTOTYPE SERIES 5.5K 2.0
 2018 LH MO**

PLAN MODIFICATION NOTICE

SPB NO.	DATE

STANDARD PLAN BULLETINS (SPB) MODIFY THE
 PROTOTYPE SERIES SET NOTED ABOVE. THE
 LISTED SPB REPRESENTS THE LATEST
 MODIFICATION INCORPORATED TO THIS
 PROTOTYPE SERIES SET AT ORIGINAL RELEASE.
 THE ISSUE/REVISION RECORD COLUMN ABOVE
 LISTS ANY REVISIONS OR SPB INCORPORATED
 IN THIS SET AFTER THE ORIGINAL RELEASE.
 CONTACT RACETRAC ENGINEERING AND
 CONSTRUCTION FOR ANY SUBSEQUENT
 BULLETINS NOT INCORPORATED HEREIN.

PROFESSIONAL SEAL



PROJECT NUMBER
 17.721.00

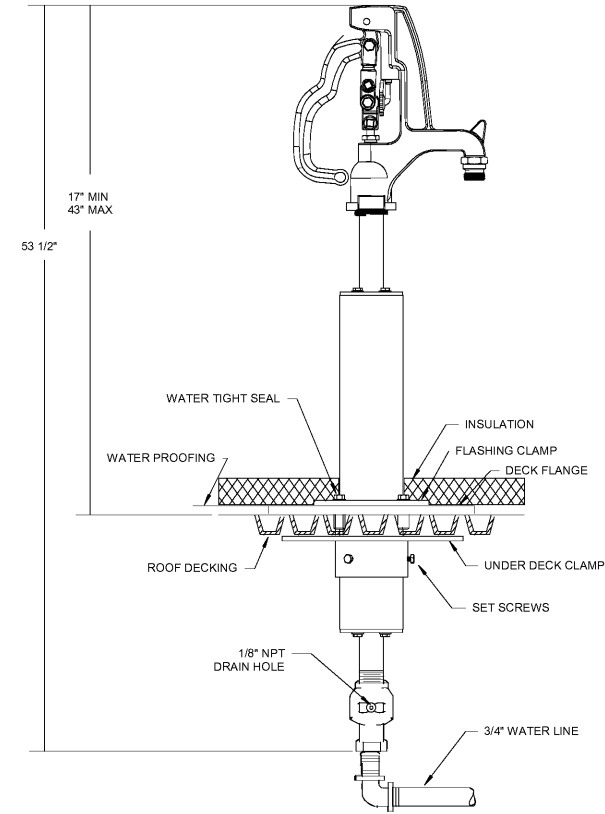
SHEET TITLE

PLUMBING DETAILS

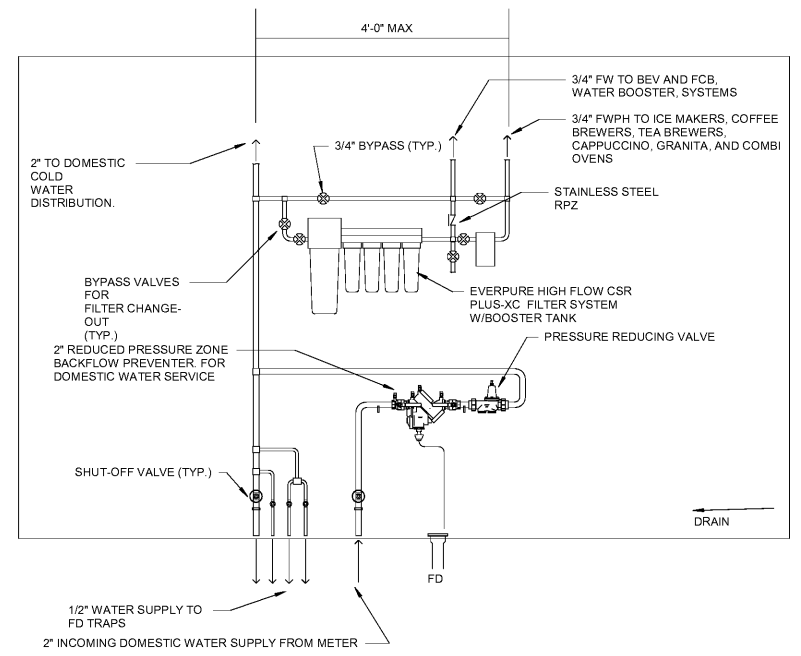
SHEET NUMBER

P430

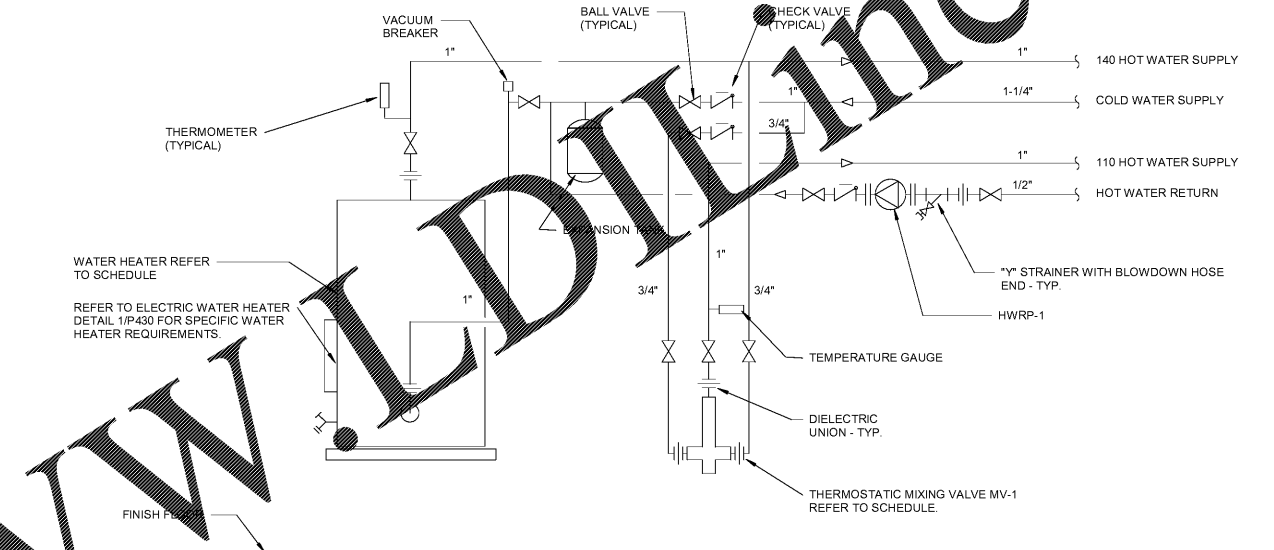
ISSUED FOR PERMIT



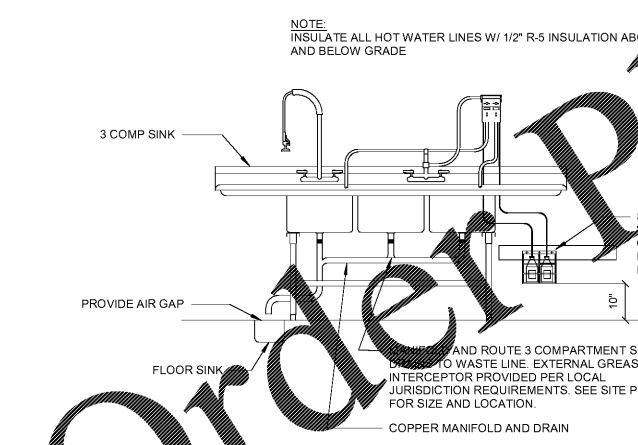
6 NON-FREEZE ROOF HYDRANT
 N.T.S.



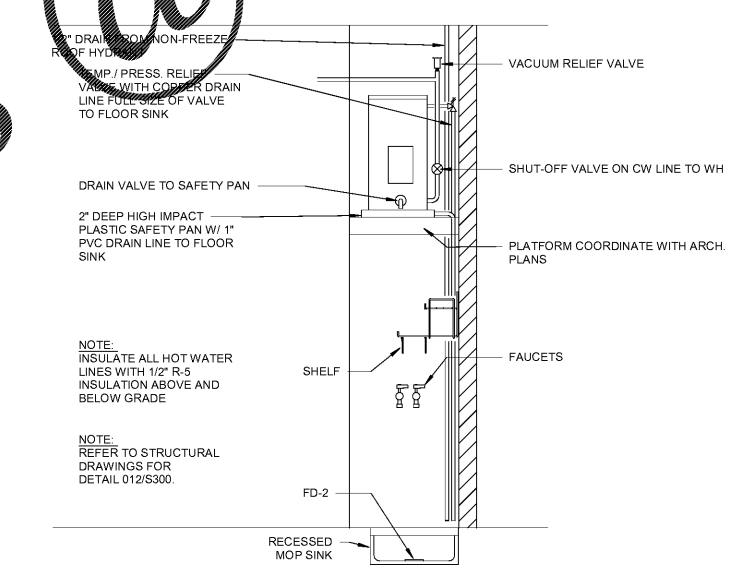
5 WATER MANIFOLD/FILTER DETAIL
 N.T.S.



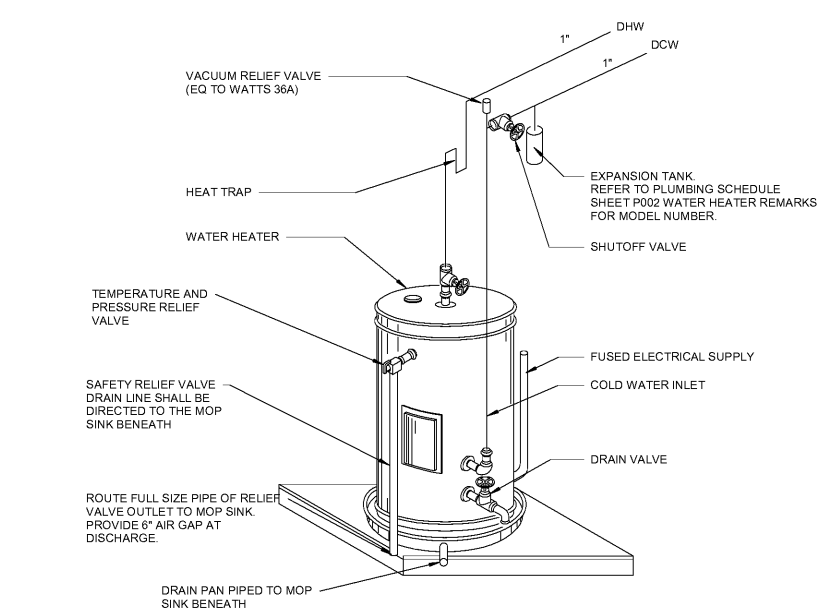
4 WATER HEATER MANIFOLD SCHEMATIC
 N.T.S.



3 3-COMPARTMENT SINK DETAIL
 N.T.S.



2 WATER HEATER DRAIN LINE DETAIL
 N.T.S.



1 ELECTRIC WATER HEATER DETAIL
 N.T.S.

WWW.LDDIline.com

Order Plans @