

ISSUE/REVISION RECORD

Table with columns: DATE, DESCRIPTION, PERMIT ISSUE. Row 1: 2018.08.22, PERMIT ISSUE.

PROJECT NAME

GRIFFIN

GRIFFIN GEORGIA 1638 US HWY 41 GRIFFIN, GA 30223

RACETRAC PROJECT NUMBER

#1242

PROTOTYPE SERIES 5.5K 2.0 2018 LH MO

PLAN MODIFICATION NOTICE

Table with columns: SPB NO., DATE.

STANDARD PLAN BULLETINS (SPB) MODIFY THE PROTOTYPE SERIES SET NOTED ABOVE. THE LISTED SPB REPRESENTS THE LATEST MODIFICATION INCORPORATED TO THIS PROTOTYPE SERIES SET AT ORIGINAL RELEASE. THE ISSUE/REVISION RECORD COLUMN ABOVE LISTS ANY REVISIONS OR SPB INCORPORATED IN THIS SET AFTER THE ORIGINAL RELEASE. CONTACT RACETRAC ENGINEERING AND CONSTRUCTION FOR ANY SUBSEQUENT BULLETINS NOT INCORPORATED HEREIN.

PROFESSIONAL SEAL



08/22/18

PROJECT NUMBER 17.721.00

SHEET TITLE

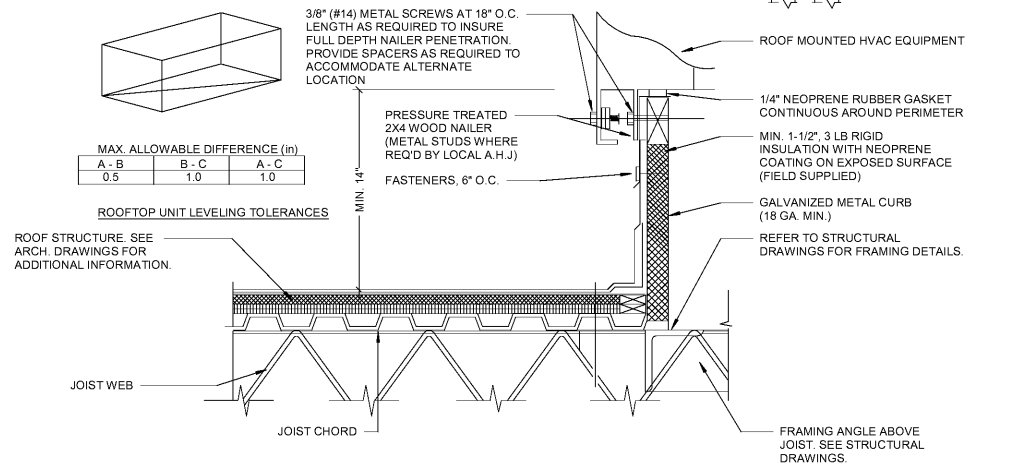
MECHANICAL DETAILS

SHEET NUMBER

M430

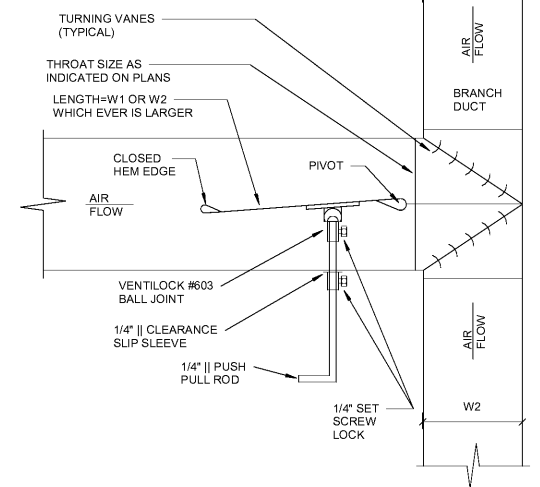
ISSUED FOR PERMIT

NOTE: DETAIL SHOWN FOR REFERENCE ONLY FOR ATTACHMENT PURPOSES. CODE COMPLIANCE SHALL BE DETERMINED AND VERIFIED BY A LICENSED STRUCTURAL ENGINEER.

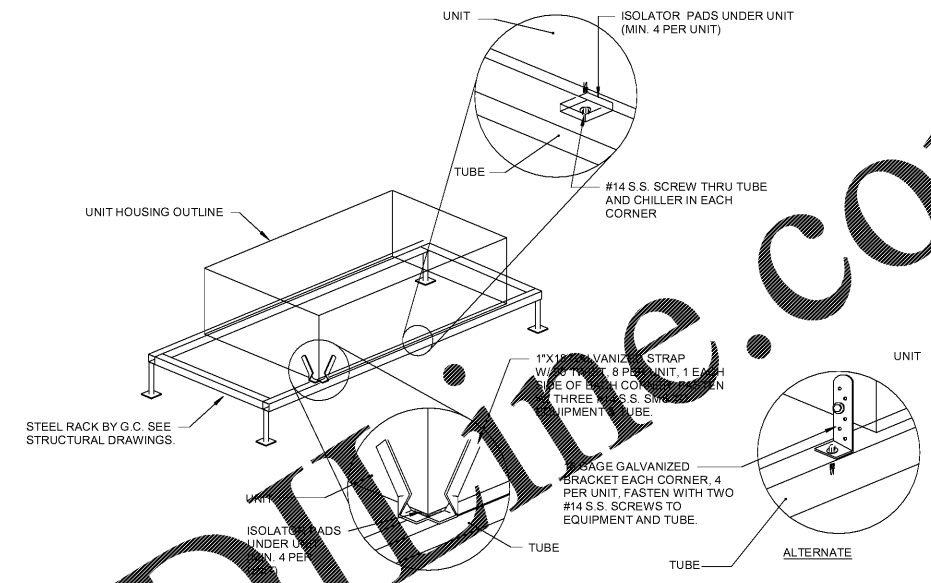


ROOFTOP UNIT INSTALLATION NOTES

- 1. DUCT TRANSITION FROM RTU TO DUCT SIZE SHOWN ON MECHANICAL FLOOR PLAN SHALL BE MADE BETWEEN RTU AND TOP OF ROOF WITHIN CURB.

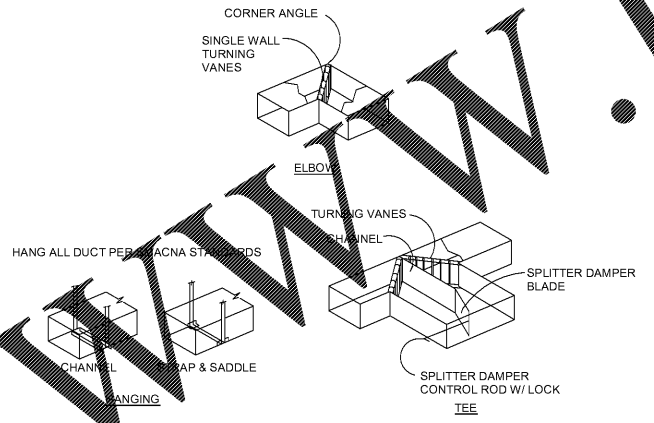
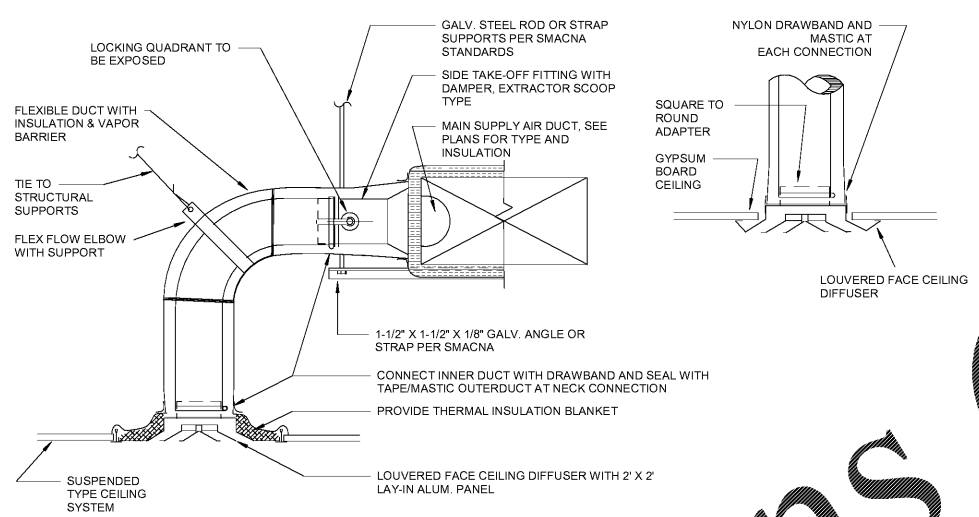


7 RECTANGULAR TEE DUCT DETAIL NTS



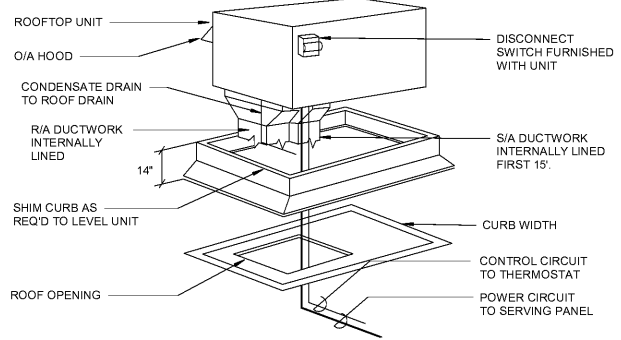
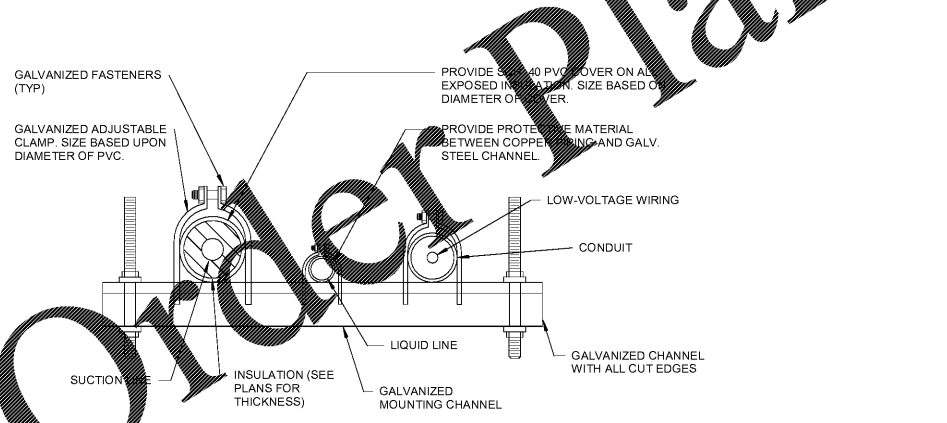
8 ROOF EQUIPMENT MOUNTING RACK REDTAIL NTS

6 HVAC EQUIPMENT ROOF CURB DETAIL NTS



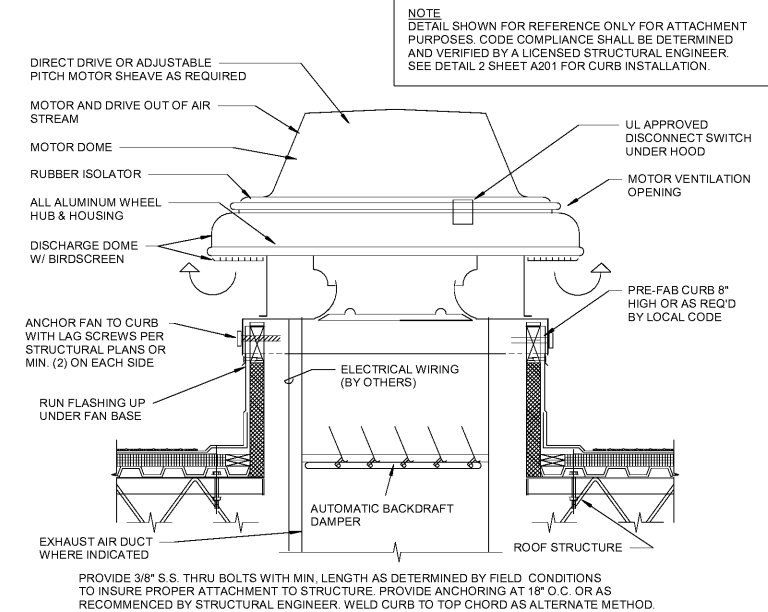
4 HVAC DUCT DETAILS NTS

5 TYPICAL DIFFUSER DETAIL NTS



- NOTES 1. DUCT TRANSITION FROM RTU TO DUCT SIZE SHOWN ON MECH. FLOOR PLAN SHALL BE MADE BETWEEN RTU AND TOP OF ROOF WITHIN CURB.

2 ROOFTOP UNIT CONNECTIONS DETAIL NTS



1 ROOF MOUNTED EXHAUST FAN DETAIL NTS

3 REFRIGERANT PIPE MOUNTING DETAIL NTS

