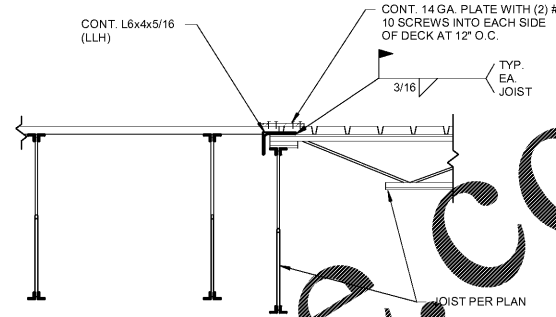
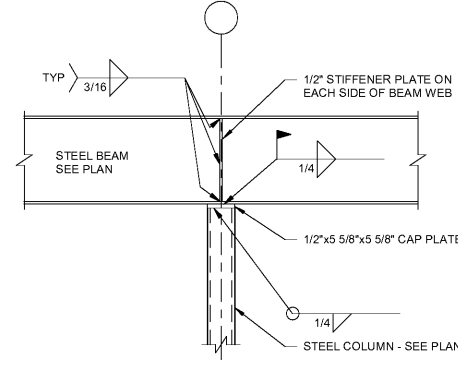


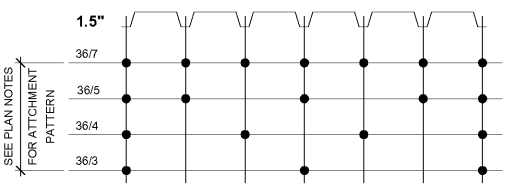
**ISSUE/REVISION RECORD**

DATE	DESCRIPTION
2/16/22	PERMIT ISSUE

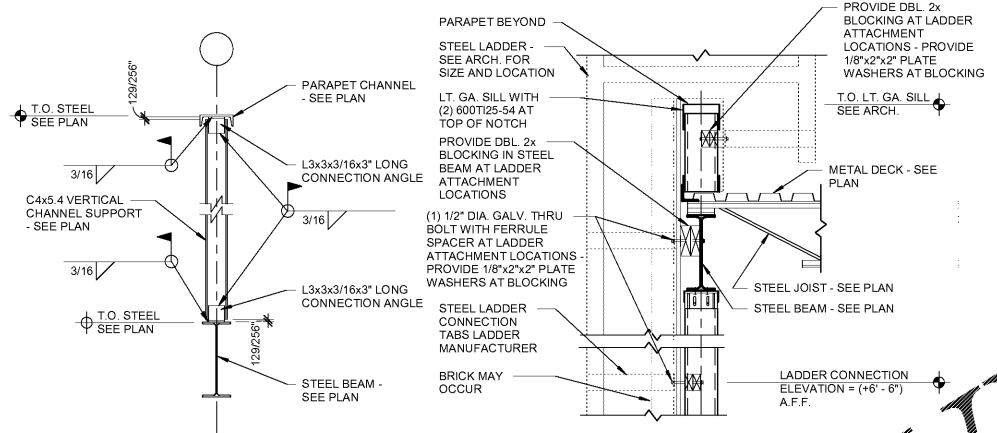
SPB NO.	DATE
STANDARD PLAN BULLETINS (SPB) MODIFY THE PROTOTYPE SERIES SET NOTED ABOVE. THE LISTED SPB REPRESENTS THE LATEST MODIFICATION INCORPORATED TO THIS PROTOTYPE SERIES SET AT ORIGINAL RELEASE. THE ISSUE/REVISION RECORD COLUMN ABOVE LISTS ANY REVISIONS OR SPB INCORPORATED IN THIS SET AFTER THE ORIGINAL RELEASE. CONTACT RACETRAC ENGINEERING AND CONSTRUCTION FOR ANY SUBSEQUENT BULLETINS NOT INCORPORATED HEREIN.	



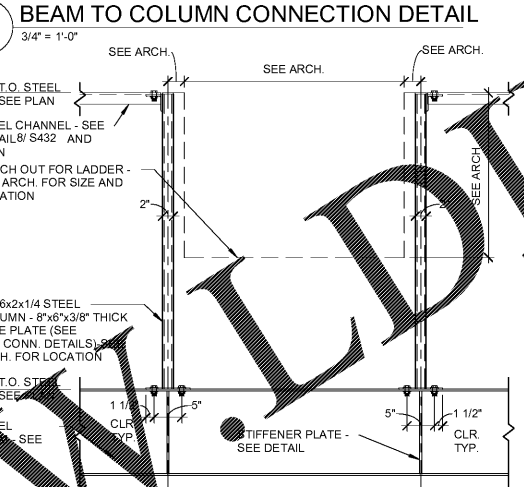
METAL ROOF DECK SHALL BE SUPPLIED IN 36\"/>



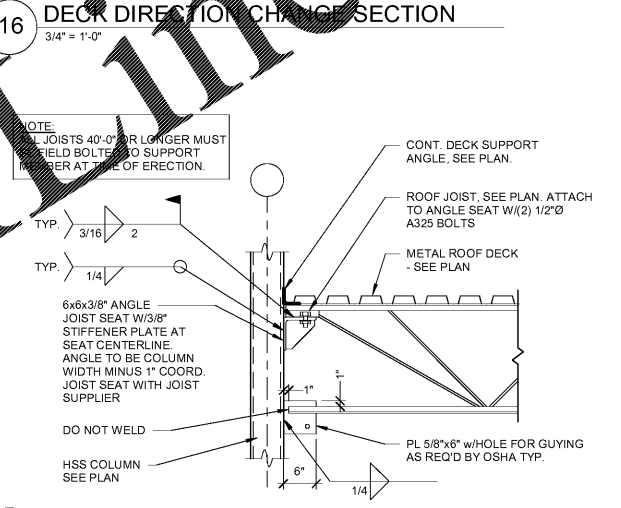
**15 TYPICAL ROOF DECK ATTACHMENT DETAIL**  
 3/4\"/>



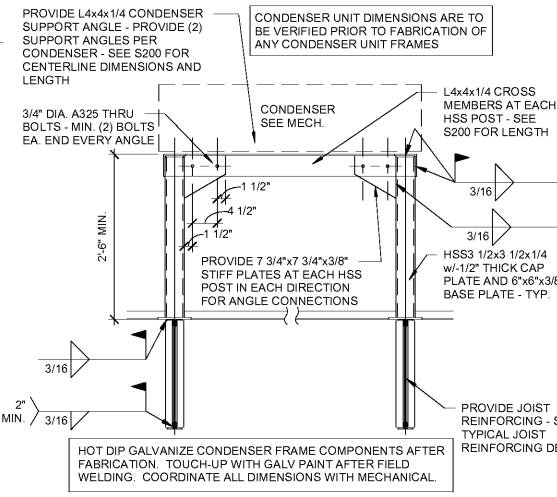
**13 LADDER ATTACHMENT DETAIL**  
 3/4\"/>



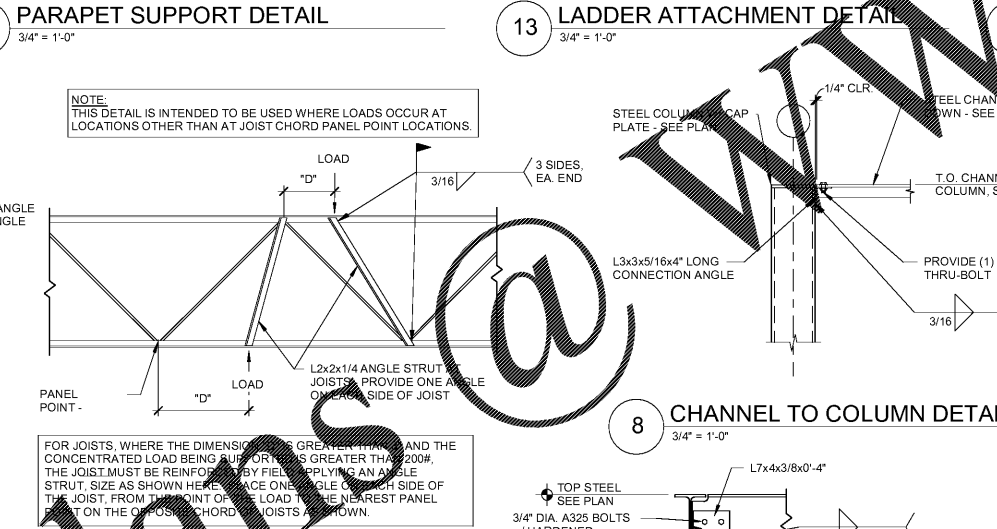
**12 LADDER NOTCH DETAIL**  
 3/4\"/>



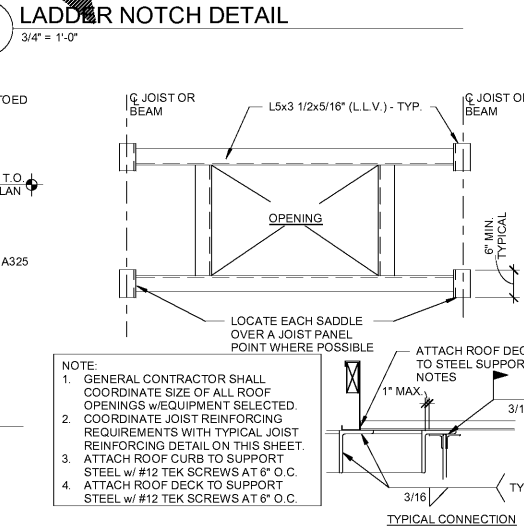
**11 ROOF JOIST TO COLUMN CONNECTION**  
 3/4\"/>



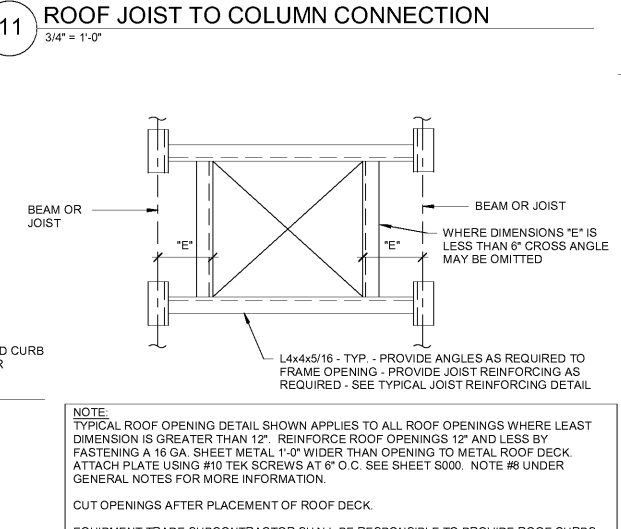
**10 CONDENSER SUPPORT DETAIL**  
 3/4\"/>



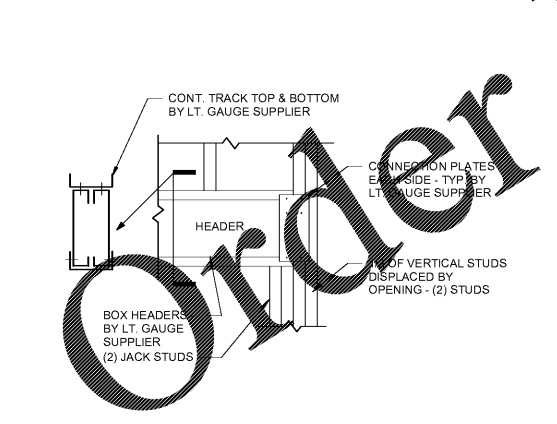
**14 PARAPET SUPPORT DETAIL**  
 3/4\"/>



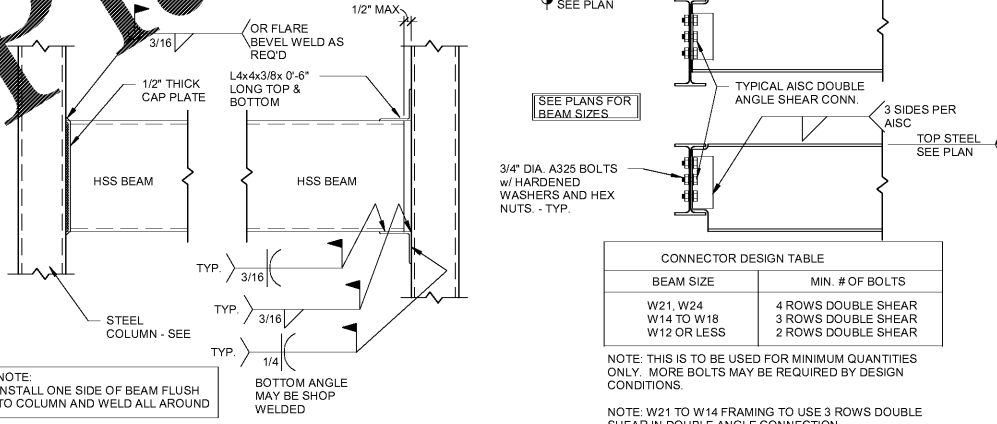
**8 CHANNEL TO COLUMN DETAIL**  
 3/4\"/>



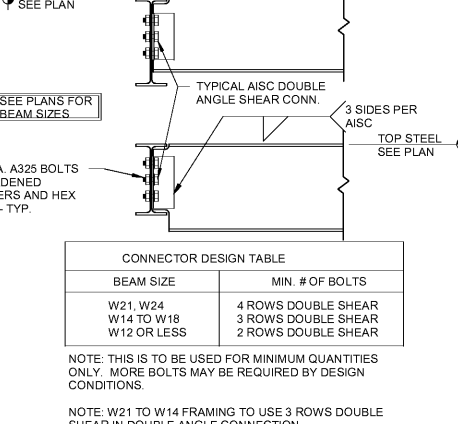
**7 RTU SUPPORT FRAMING DETAIL**  
 3/4\"/>



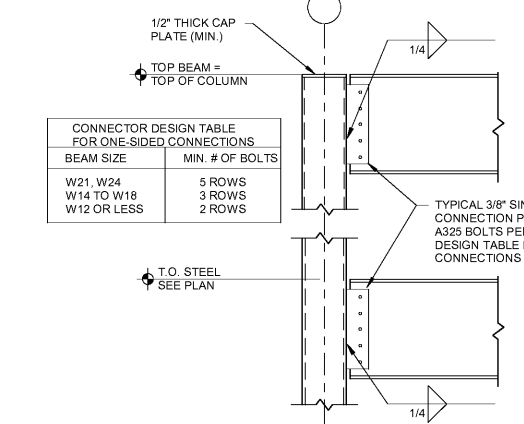
**5 LIGHT GAGE BOX HEADER**  
 3/4\"/>



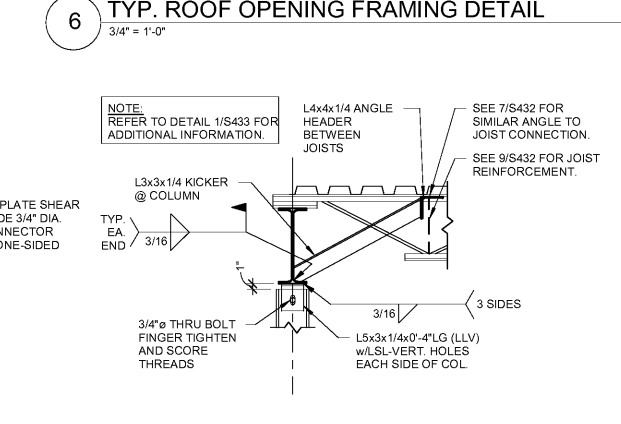
**4 HSS BEAM TO COLUMN DETAILS**  
 3/4\"/>



**3 BEAM TO BEAM FRAMING DETAILS**  
 3/4\"/>



**2 TYP. BEAM TO COLUMN CONN. DETAILS**  
 3/4\"/>



**6 TYP. ROOF OPENING FRAMING DETAIL**  
 3/4\"/>

**CONNECTOR DESIGN TABLE FOR ONE-SIDED CONNECTIONS**

BEAM SIZE	MIN. # OF BOLTS
W21, W24	5 ROWS
W14 TO W18	3 ROWS
W12 OR LESS	2 ROWS

**CONNECTOR DESIGN TABLE**

BEAM SIZE	MIN. # OF BOLTS
W21, W24	4 ROWS DOUBLE SHEAR
W14 TO W18	3 ROWS DOUBLE SHEAR
W12 OR LESS	2 ROWS DOUBLE SHEAR

NOTE: THIS IS TO BE USED FOR MINIMUM QUANTITIES ONLY. MORE BOLTS MAY BE REQUIRED BY DESIGN CONDITIONS.  
 NOTE: W21 TO W14 FRAMING TO USE 3 ROWS DOUBLE SHEAR IN DOUBLE ANGLE CONNECTION.

**Order Plans @**