

ISSUE/REVISION RECORD

| DATE | DESCRIPTION |
|------------|--------------|
| 2018.08.22 | PERMIT ISSUE |
| | |
| | |
| | |
| | |
| | |
| | |
| | |
| | |
| | |
| | |
| | |
| | |

PROJECT NAME
GRIFFIN

GRiffin
 GEORGIA
 1638 US HWY 41
 GRIFIN, GA 30223

RACETRAC PROJECT NUMBER
#1242

PROTOTYPE SERIES 5.5K 2.0
2018 LH MO

PLAN MODIFICATION NOTICE
 SPB NO. DATE

STANDARD PLAN BULLETINS (SPB) MODIFY THE PROTOTYPE SERIES SET NOTED ABOVE. THE LISTED SPB REPRESENTS THE LATEST MODIFICATION INCORPORATED TO THIS PROTOTYPE SERIES SET AT ORIGINAL RELEASE. THE ISSUE/REVISION RECORD COLUMN ABOVE LISTS ANY REVISIONS OR SPB INCORPORATED IN THIS SET AFTER THE ORIGINAL RELEASE. CONTACT RACETRAC ENGINEERING AND CONSTRUCTION FOR ANY SUBSEQUENT BULLETINS NOT INCORPORATED HEREIN.

PROFESSIONAL SEAL

GEORGIA REGISTERED PROFESSIONAL ENGINEER
 No. 91509
 DATE: 08/22/18

PROJECT NUMBER
 17.721.00

SHEET TITLE
TYPICAL DETAILS

SHEET NUMBER
S430
 ISSUED FOR PERMIT

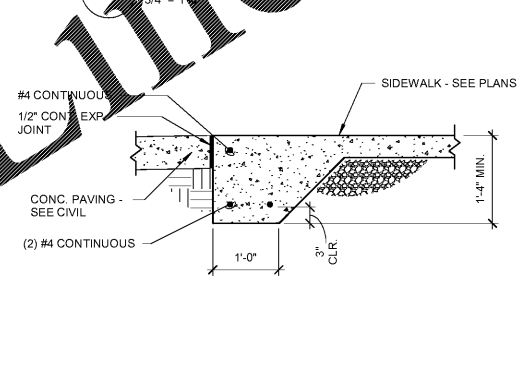
CONCRETE REINFORCING LAP LENGTHS

| BAR SIZE | TENSION LAP SPLICE CLASS "A" | TENSION LAP SPLICE CLASS "B" | COMPRESSION SPLICE |
|----------|------------------------------|------------------------------|--------------------|
| #4 | 22" | 29" | 11" |
| #5 | 28" | 36" | 14" |
| #6 | 33" | 43" | 17" |

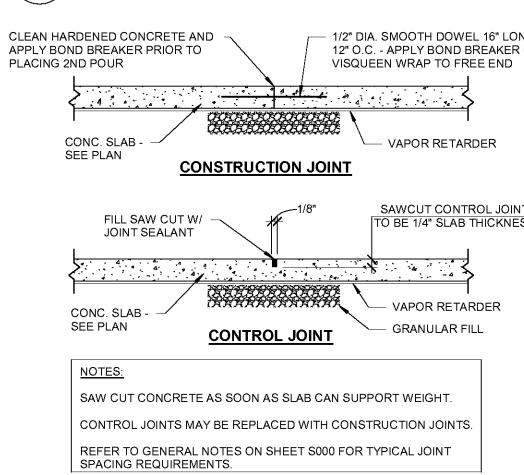
MASONRY LAP SPLICE TABLE

| BAR SIZE | ALLOWABLE STRESS (100% STRESS) | MIN. LAP LENGTH |
|----------|--------------------------------|-----------------|
| #4 | | 36" |
| #5 | | 45" |
| #6 | | 54" |

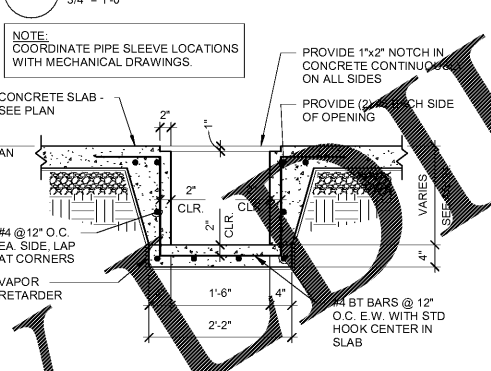
12 REINFORCING LAP SCHEDULES
 3/4" = 1'-0"



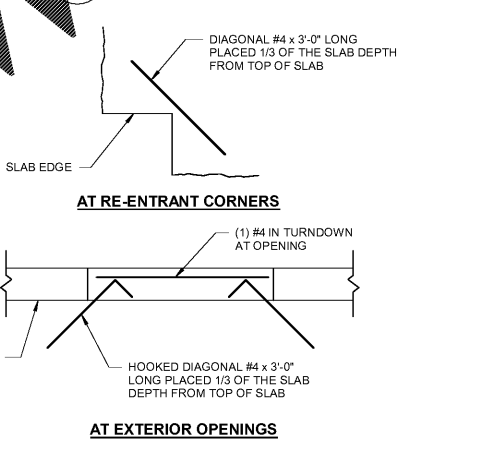
9 TYPICAL EXTERIOR SLAB TURNDOWN
 3/4" = 1'-0"



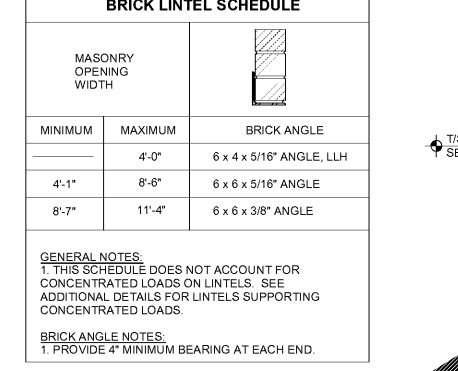
13 SLAB OPENING MOP SINK DETAIL
 3/4" = 1'-0"



10 PIT DETAIL
 3/4" = 1'-0"



14 PIT DETAIL
 3/4" = 1'-0"



11 BRICK LINTEL SCHEDULE
 3/4" = 1'-0"

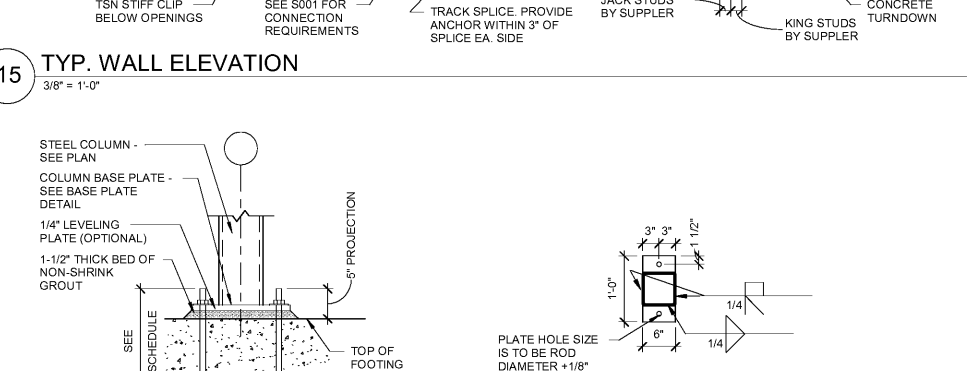
BRICK LINTEL SCHEDULE

| MASONRY OPENING WIDTH | MINIMUM | MAXIMUM | BRICK ANGLE |
|-----------------------|---------|---------|--------------------------|
| 4'-1" | 4'-0" | 8'-6" | 6 x 4 x 5/16" ANGLE, LLH |
| 4'-1" | 8'-6" | 11'-4" | 6 x 6 x 5/16" ANGLE |
| 8'-7" | 11'-4" | | 6 x 6 x 3/8" ANGLE |

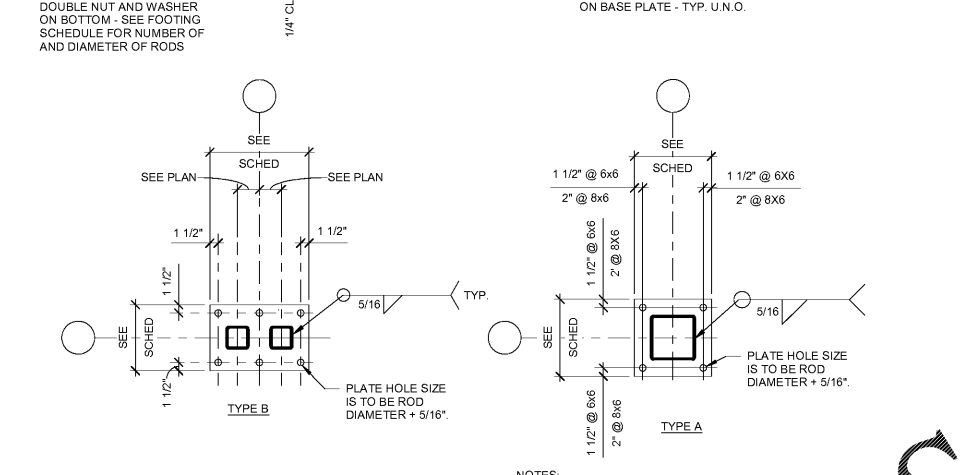
GENERAL NOTES:
 1. THIS SCHEDULE DOES NOT ACCOUNT FOR CONCENTRATED LOADS ON LINTELS. SEE ADDITIONAL DETAILS FOR LINTELS SUPPORTING CONCENTRATED LOADS.

BRICK ANGLE NOTES:
 1. PROVIDE 4" MINIMUM BEARING AT EACH END.

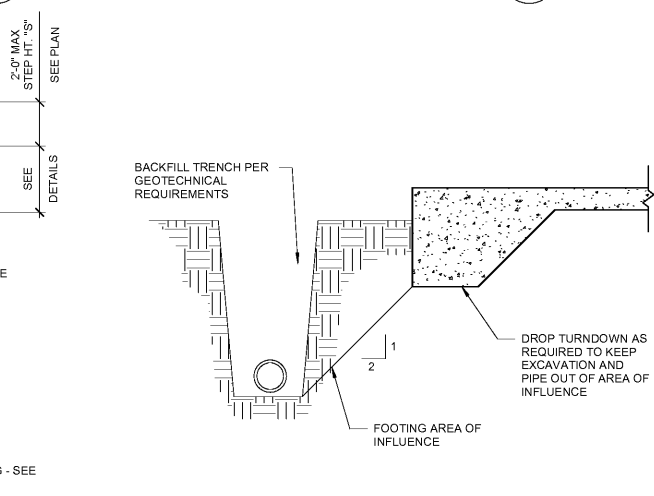
15 TYP. WALL ELEVATION
 3/8" = 1'-0"



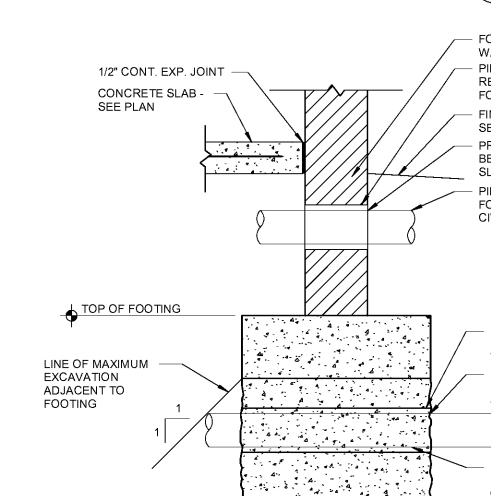
8 TYPICAL BASE PLATE DETAILS
 3/4" = 1'-0"



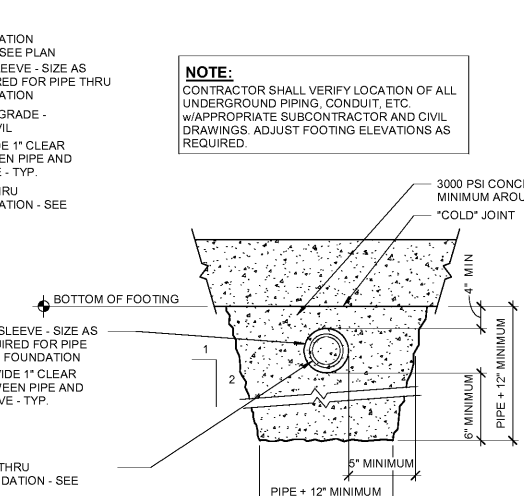
7 TYPICAL COLUMN ISOLATION JOINT
 3/4" = 1'-0"



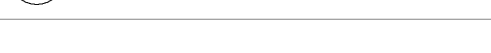
6 TYPICAL FLOOR SLAB REINFORCING AT CORNERS
 3/4" = 1'-0"



5 TYPICAL FLOOR SLAB JOINT DETAILS
 3/4" = 1'-0"



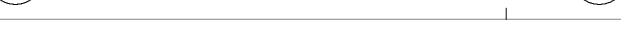
4 TYPICAL FOOTING CORNER DETAIL
 3/4" = 1'-0"



3 TYPICAL FOOTING AND TURN DOWN STEP DETAIL
 3/4" = 1'-0"



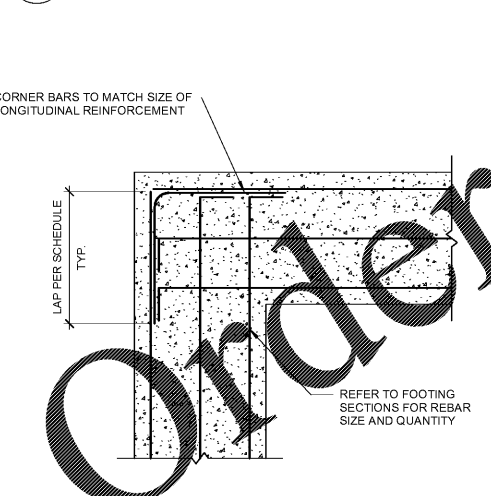
2 TYPICAL TRENCH ADJACENT TO FOOTING
 3/4" = 1'-0"



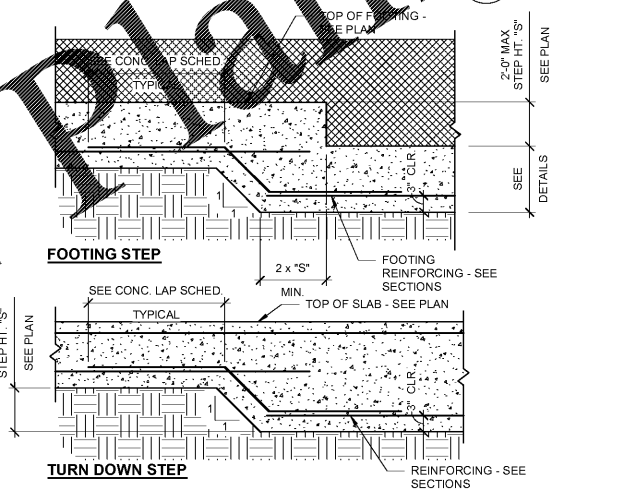
1 TYPICAL PIPE AT FOUNDATION / WALL DETAIL
 3/4" = 1'-0"



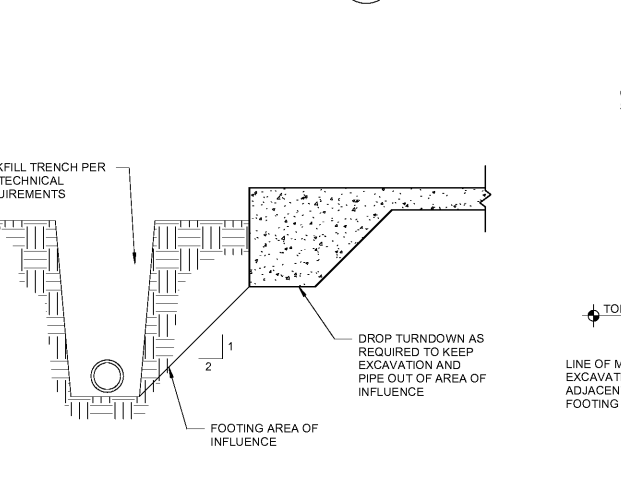
8 TYPICAL BASE PLATE DETAILS
 3/4" = 1'-0"



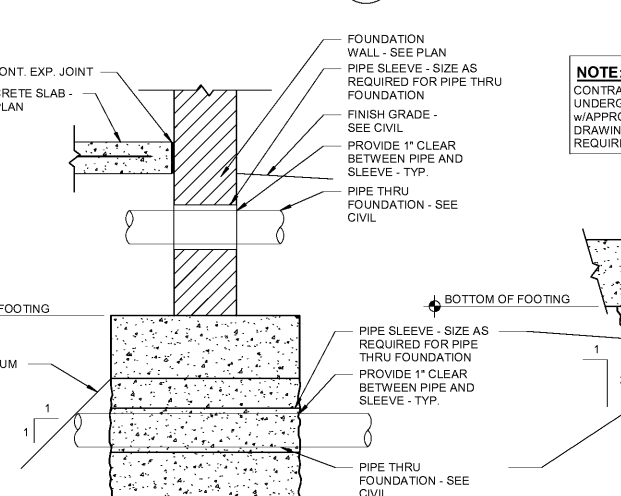
7 TYPICAL COLUMN ISOLATION JOINT
 3/4" = 1'-0"



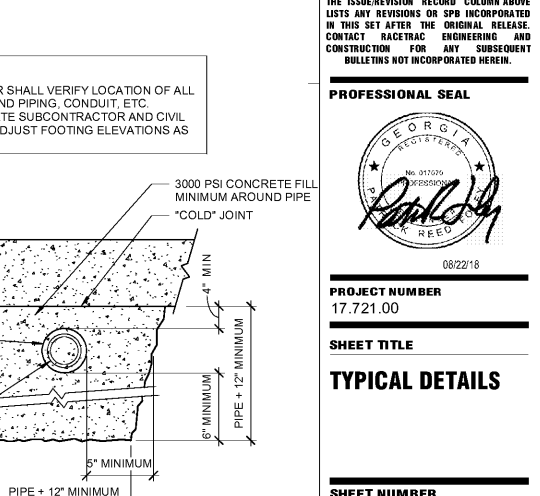
6 TYPICAL FLOOR SLAB REINFORCING AT CORNERS
 3/4" = 1'-0"



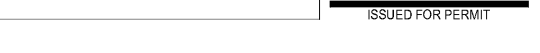
5 TYPICAL FLOOR SLAB JOINT DETAILS
 3/4" = 1'-0"



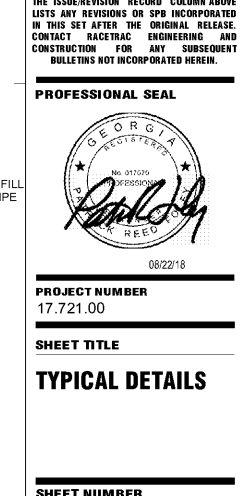
4 TYPICAL FOOTING CORNER DETAIL
 3/4" = 1'-0"



3 TYPICAL FOOTING AND TURN DOWN STEP DETAIL
 3/4" = 1'-0"



2 TYPICAL TRENCH ADJACENT TO FOOTING
 3/4" = 1'-0"



1 TYPICAL PIPE AT FOUNDATION / WALL DETAIL
 3/4" = 1'-0"

