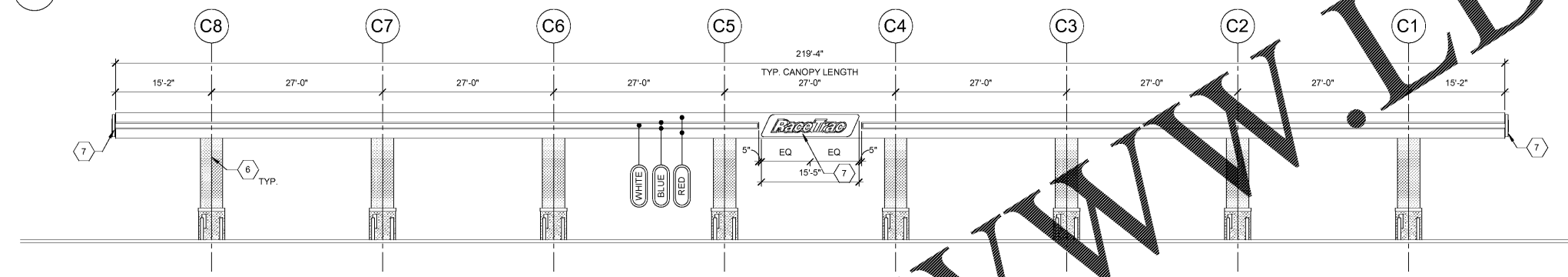
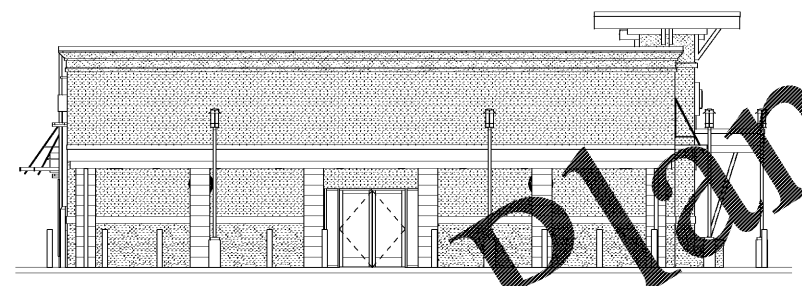


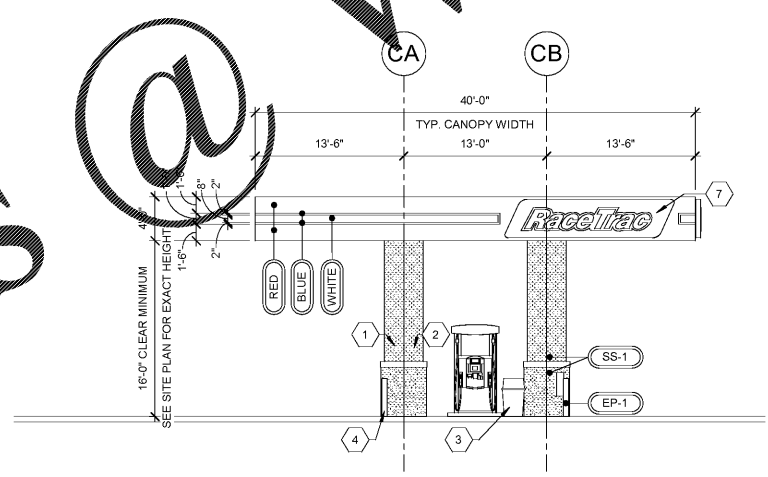
3 CANOPY PLAN
3/32" = 1'-0"



2 CANOPY FRONT ELEVATION
3/32" = 1'-0"



1 CANOPY ELEVATION
1/8" = 1'-0"



GENERAL NOTES

- AREA WITHIN 18'-0" OF DISPENSER BOTH HORIZONTALLY AND VERTICAL SHALL BE CLASS I, DIVISION 2
- EXTINGUISHERS SHALL BE PROVIDED AND SO LOCATED THAT NO PUMP DISPENSER OR FILL-PIPE OPENING SHALL BE A GREATER DISTANCE THAN 50'-0" FROM SUCH DISPENSER
- NO SMOKING SIGNS SHALL BE POSTED IN ACCORDANCE WITH LOCAL JURISDICTION REQUIREMENT.
- PVC PIPE SHALL NOT BE USED ON TOP OF CANOPY. ONLY 3/4" EMT WITH WATER TIGHT CONNECTIONS SHALL BE PERMITTED
- REFER TO ELECTRICAL SCHEDULES FOR CANOPY CIRCUITS.
- REFER TO SITE ELECTRICAL PLAN FOR SECURITY CAMERA LOCATIONS AND MOUNTING.
- REFER TO FINISH SCHEDULES FOR MATERIAL SPECIFICATIONS.
- REFER TO SITE PLAN FOR NUMBER OF CANOPY STOPS TO BE PLACED
- REFER TO MANUFACTURER'S SHOP DRAWINGS FOR ALL STRUCTURAL DETAILS.
- REFER TO SITE SPECIFIC PLAN FOR CANOPY MOUNTING.
- REFER TO SITE SPECIFIC PLAN FOR CONCRETE ISLAND LAYOUT.
- REFER TO CANOPY MANUFACTURER'S DRAWINGS FOR MOUNTING INFORMATION AND COLUMN SURROUND.

Racetrac
COPYRIGHT NOTICE
THESE PLANS ARE SUBJECT TO FEDERAL COPYRIGHT LAWS: ANY USE OF SAME WITHOUT THE EXPRESSED WRITTEN PERMISSION OF RACETRAC PETROLEUM, INC. IS PROHIBITED. 2018 RACETRAC PETROLEUM, INC.

DESIGN PROFESSIONALS
HILLFOLEYROSS & ASSOCIATES
ARCHITECTURE
ENGINEERING
3686 Pleasant Hill Road
Suite 200
Duluth, Georgia 30096
p 770.622.9858
f 770.622.9535
www.hillfoleyross.com

ISSUE/REVISION RECORD

DATE	DESCRIPTION
2018.08.22	PERMIT ISSUE

Racetrac
RACETRAC PETROLEUM, INC.
200 GALLERIA PKWY SE
SUITE 900
ATLANTA, GEORGIA 30339
(770) 431-7600

PROJECT NAME
GRIFFIN

GRIFFIN
GEORGIA
1638 US HWY 41
GRIFFIN, GA 30223
RACETRAC PROJECT NUMBER
#1242

PROTOTYPE SERIES 5.5K 2.0
2018 LH MO

PLAN MODIFICATION NOTICE
SPB NO. DATE
STANDARD PLAN BULLETINS (SPB) MODIFY THE PROTOTYPE SERIES SET NOTED ABOVE. THE LISTED SPB REPRESENTS THE LATEST MODIFICATION INCORPORATED TO THIS PROTOTYPE SERIES SET AT ORIGINAL RELEASE. THE ISSUE/REVISION RECORD COLUMN ABOVE LISTS ANY REVISIONS OR SPB INCORPORATED IN THIS SET AFTER THE ORIGINAL RELEASE. CONTACT RACETRAC ENGINEERING AND CONSTRUCTION FOR ANY SUBSEQUENT BULLETINS NOT INCORPORATED HEREIN.

PROFESSIONAL SEAL
STATE OF GEORGIA
JON B. ERICKSON
REGISTERED PROFESSIONAL ARCHITECT
08/22/18

PROJECT NUMBER
17.721.00

SHEET TITLE
FUEL CANOPY PLANS AND ELEVATIONS

SHEET NUMBER
C100
ISSUED FOR PERMIT

SHEET KEYNOTES

- M2M RED MARK II CABINET WITH RED COVER. ON BACK SIDE OF COLUMN COVER. PROVIDE ONE 80-B RATED EXTINGUISHER.
- TOWEL DISPENSER "DCI MARKETING" ITEM NUMBER SBWC BLACK.
- TRASH CAN. REFER TO SITE PLANS.
- BUMPER POST. REFER TO CIVIL SITE DETAIL SHEETS.
- WOODFORD Y-34 FREEZERLESS IOWA YARD HYDRANT
- CANOPY COLUMN BRICK & STONE WRAPPED
- RACETRAC LOGO. REFER TO SIGN PLAN

FUEL CANOPY MATERIAL SCHEDULE

ID	MANUF.	MATERIAL	COMMENTS
FASCIA			
BLUE	-	-	2" BLUE STRIPE
RED	-	-	REFER TO SPECIFICATION CHART ON SHEET C100
WHITE	-	-	8" WHITE STRIPE
PAINT			
EP-1	SHERWIN WILLIAMS	EXTERIOR PAINT TO SW #7020 "BLACK FOX"	
STACKED STONE			
SS-1	BORAL	ASPEN COUNTRY LEDGESTONE	WET STACK APPLICATION. MORTAR COLOR "LIGHT BUFF"
STONE BAND			
SB-1	BORAL	TUSCAN LINTEL CHAMPAGNE	MORTAR COLOR "LIGHT BUFF"

STANDARD CANOPY FASCIA COLOR SPECIFICATION CHART

COLOR CALLOUT	CANOPY MANUFACTURER	STANDARD COLOR SPECIFICATION
"TAN"	LANE CANOPIES	ETT TAN FASCIA
	MCGEE CANOPIES	ETT TAN FASCIA
	MADISON CANOPIES	PUEBLO TAN FASCIA
"RED"	LANE CANOPIES	TRD RED FASCIA
	MCGEE CANOPIES	TRD RED FASCIA - PROGRAM RED
	MADISON CANOPIES	PROGRAM RED FASCIA

Order Plans

@ WWW.LDILine.com