

**ISSUE/REVISION RECORD**

DATE	DESCRIPTION
2018.08.22	PERMIT ISSUE

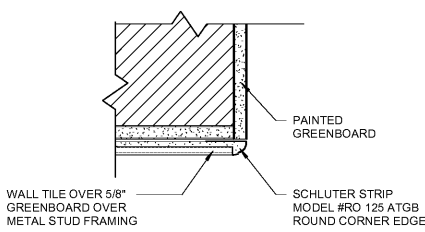
SPB NO.	DATE



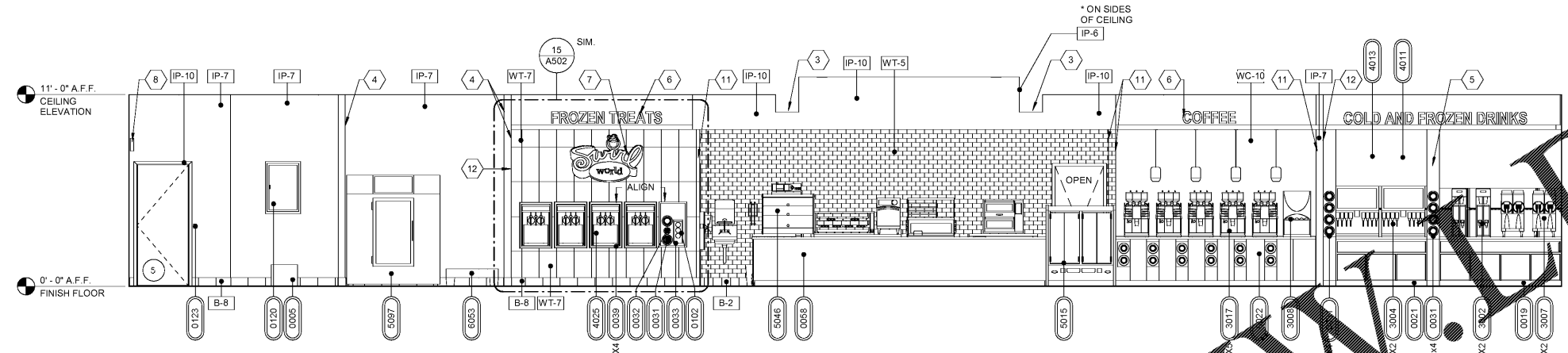
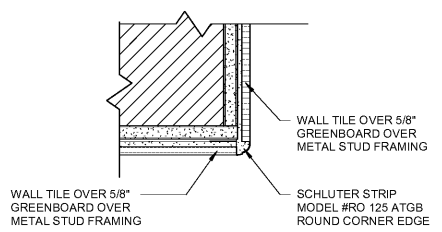
**GENERAL NOTES**

- ALL FINISH FLOOR ELEVATIONS TAKEN FROM TOP OF TILE.
- COFFEE, FROZEN DRINK DISPENSER AND YOGURT MACHINES TO COMPLY WITH THE REACH RANGES OR 15" LOW & 48" HIGH PER 2010 ADA STANDARDS, SECTION 308.
- ALL SELF-SERVICE STATIONS SHALL BE INSTALLED TO HAVE A MAX. REACH HEIGHT OF 48" AS MEASURED TO THE HIGHEST OPERABLE PART (44" IF REACH 20"-25").
- DRINKING FOUNTAINS (2010 ADA SECTION 602); THE SPOUT SHALL BE LOCATED 15" MIN. FROM VERTICAL SUPPORT AND 5" MAX FROM THE FRONT EDGE OF THE UNIT, INCLUDING BUMPERS. THE SPOUT SHALL PROVIDE A FLOW OF WATER 4" HIGH MIN AND SHALL BE LOCATED 5" FROM THE FRONT OF THE UNIT. WHERE SPOUTS ARE LOCATED LESS THAN 3" OF THE FRONT OF THE UNIT, THE ANGLE OF THE WATER STREAM SHALL BE GREATER THAN MAX. (MEASURED HORIZONTALLY FROM THE FRONT OF THE UNIT, WHERE SPOUTS ARE LOCATED BETWEEN 3" AND 5" MAX. FROM THE FRONT OF THE UNIT, THE ANGLE OF THE WATER STREAM SHALL BE GREATER THAN MAX.).
- DRINKING FOUNTAINS (2010 ADA SECTION 602); DRINKING FOUNTAINS FOR STANDING PERSONS SHALL HAVE A SPOUT HEIGHT OF 36" TO 43" AND SHALL COMPLY WITH ABOVE NOTE.
- ALL INTERIOR METAL SPOUTS ARE 3/8" U.O.N.
- ALL CONSUM BOARD TO BE 5/8" GREENBOARD WITH KILTZ PROTECTIVE FINISH UNLESS NOTED OTHERWISE.
- PROVIDE DRYWALL FINISH LEVEL 4 WHERE FLAT PAINTS, LIGHT TEXTURES OR WALLCOVERINGS ARE TO BE APPLIED.
- PROVIDE DRYWALL FINISH LEVEL 5 WHERE GLOSS, SEMI-GLOSS, ENAMEL, OR NON-TEXTURED FLAT PAINTS ARE SPECIFIED OR WHERE SEVERE LIGHTING CONDITIONS OCCUR.
- PROVIDE JOINT SEALANT AND JUNCTURE OF ALL DISSIMILAR MATERIALS.
- INSTALL GREENBOARD ON OUTSIDE FACES OF WALK-IN COOLERS AND FREEZERS:
  - LIGHTLY SAND SURFACE OF COOLER/FREEZER FACES TO INSURE BONDING OF ADHESIVE.
  - ADHESIVE TO BE BOSTIK, ULTRA-SET APPROVED EQUAL.
  - INSTALL GREENBOARD IN FULL BED OF ADHESIVE WITH NOTCHED TROWEL. PROVIDE INSTALLATION IN ACCORDANCE WITH THE ADHESIVE MANUFACTURERS PRINTED INSTRUCTIONS.
- PROVIDE BLOCKING AS REQUIRED FOR ALL WALL MOUNTED FIXTURES AND EQUIPMENT.

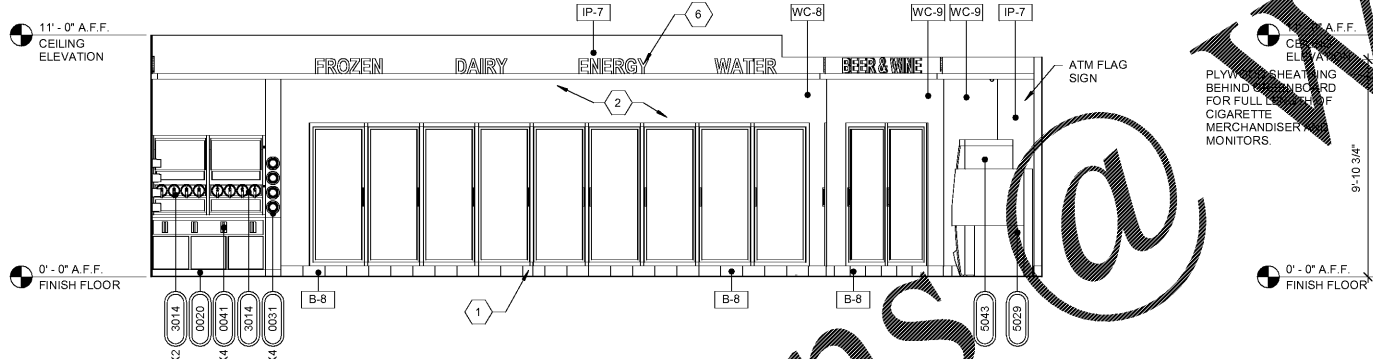
**6 TILE TO GYP CORNER DETAIL**  
 3" = 1'-0"



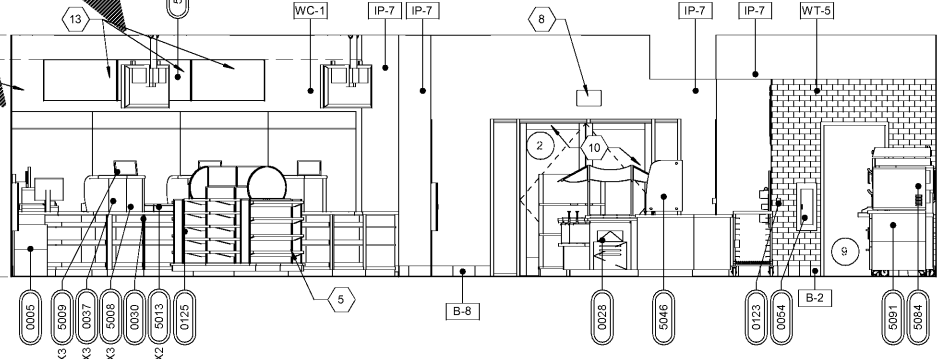
**5 TILE TO TILE CORNER DETAIL**  
 3" = 1'-0"



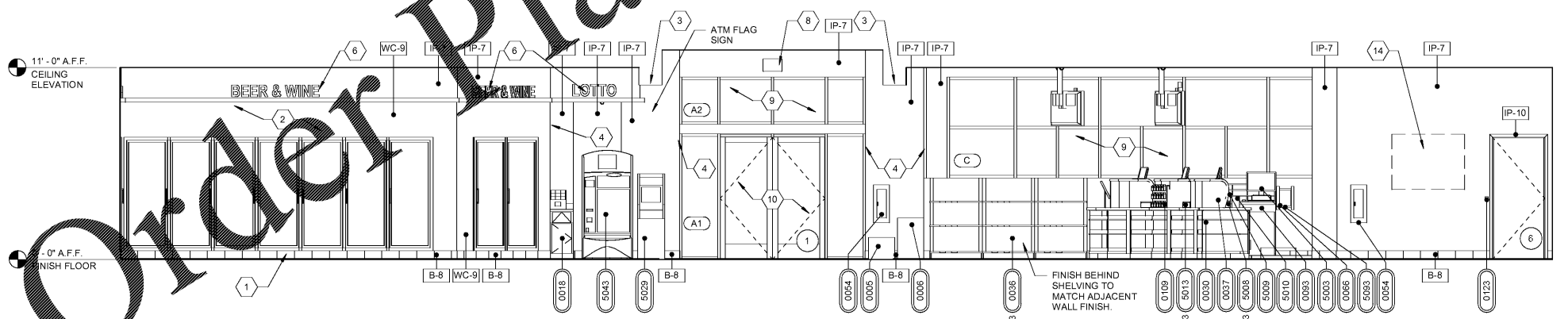
**4 INTERIOR ELEVATION AT SALES FLOOR**  
 1/4" = 1'-0"



**3 INTERIOR ELEVATION AT SALES FLOOR**  
 1/4" = 1'-0"



**2 INTERIOR ELEVATION AT SALES FLOOR**  
 1/4" = 1'-0"



**1 INTERIOR ELEVATION AT SALES FLOOR**  
 1/4" = 1'-0"

*Order Plans @*