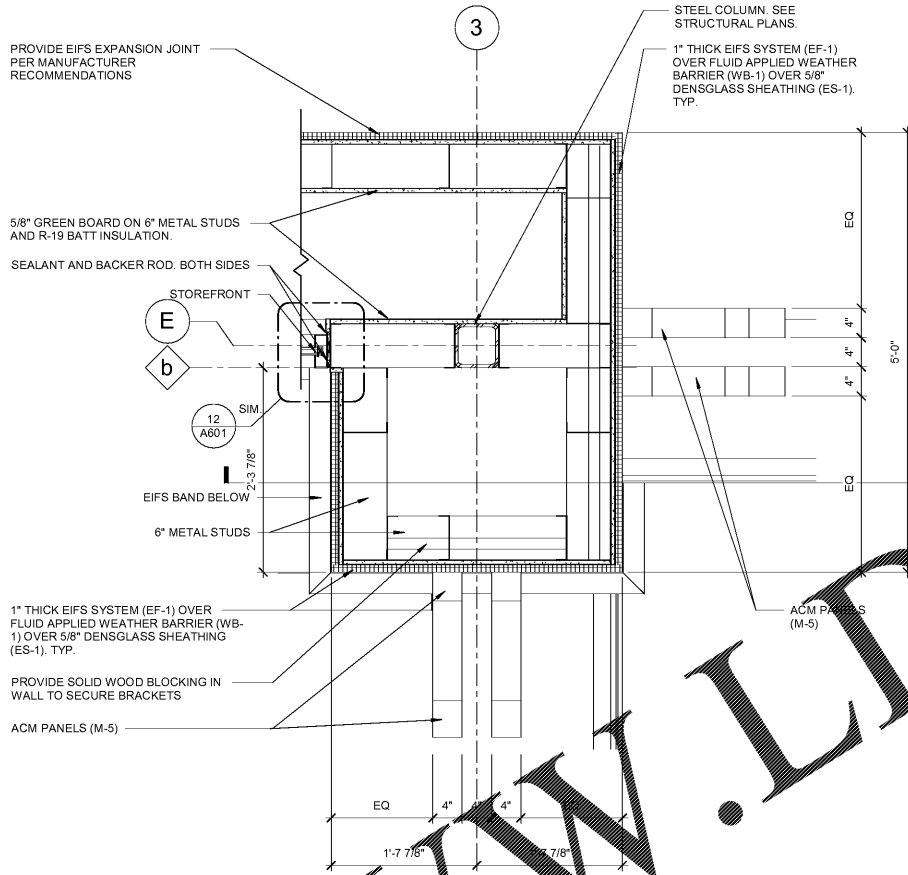
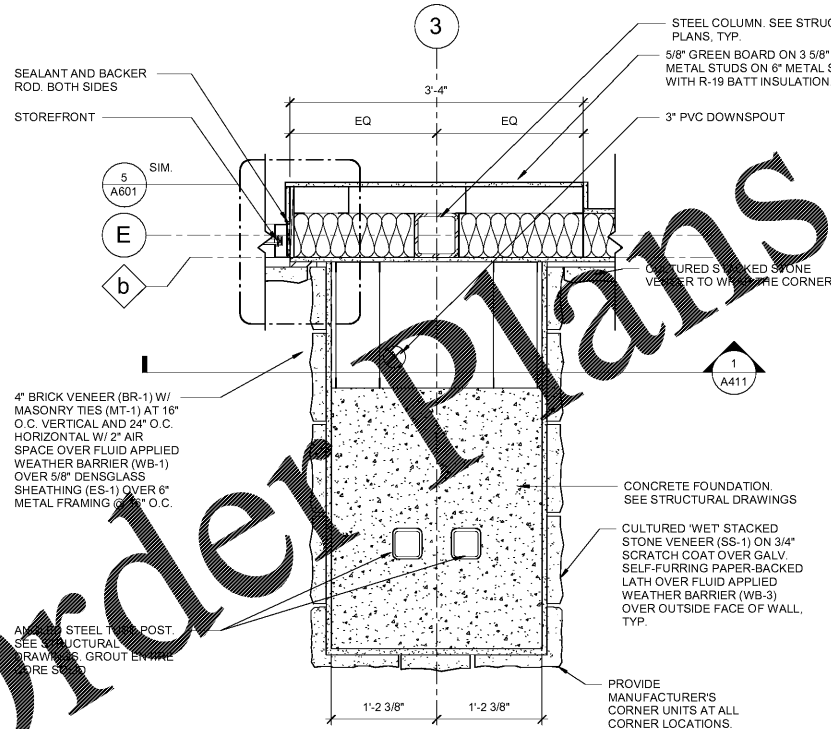


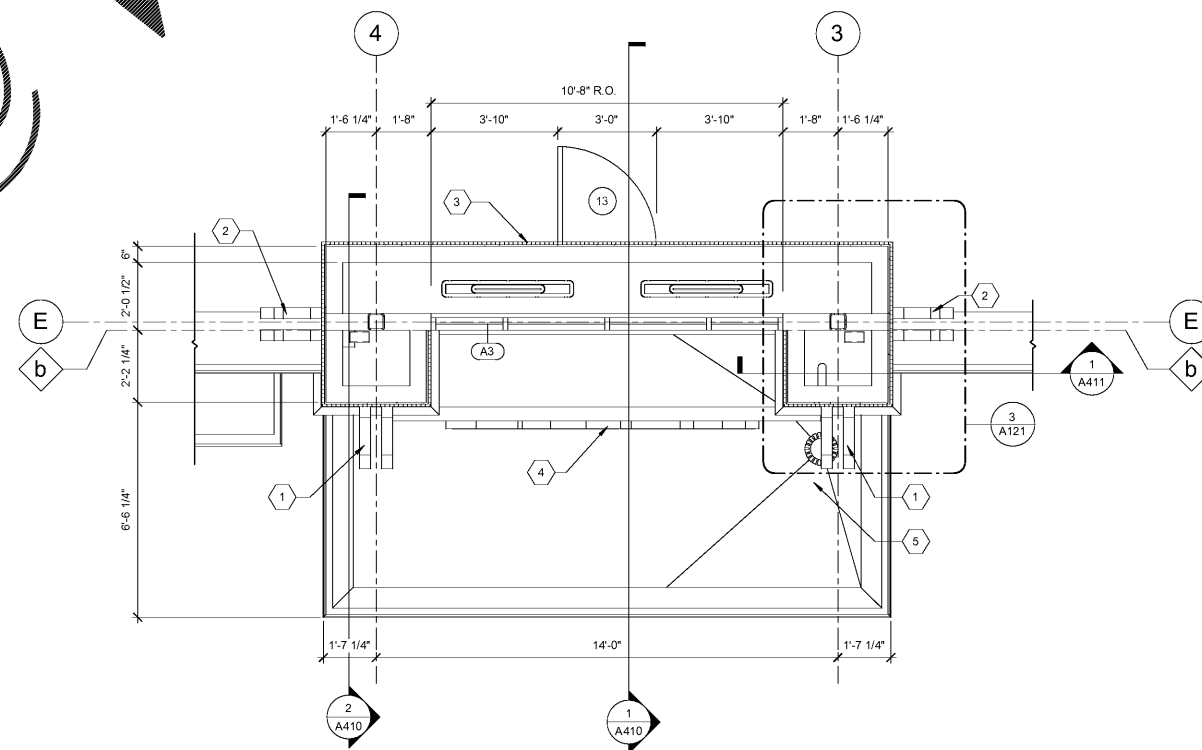
4 ENLARGED FRONT PIER @ 4' - 0" A.F.F.
1" = 1'-0"



3 ENLARGED FRONT PIER AT 21'-0" A.F.F.
1" = 1'-0"



2 ENLARGED FRONT PIER @ 1' - 6" A.F.F.
1" = 1'-0"



1 ENTRY TOWER FLOOR PLAN
3/8" = 1'-0"

GENERAL NOTES

1. ALL DIMENSIONS ARE TO FACE OF STUD UNLESS NOTED OTHERWISE (U.N.O) AS INDICATED WITH AN ASTERISK (*).
2. ALL DIMENSIONS NOTED TO BE FIELD VERIFIED ARE CRITICAL TO THE FLOOR PLAN LAYOUT. G.C. TO FIELD VERIFY ALL DIMENSIONS AND NOTIFY ARCHITECT WITH ANY DISCREPANCIES.
3. SEE SHEET A300 FOR EXTERIOR ELEVATIONS AND MATERIAL SCHEDULE.
4. SEE SHEET A500 FOR INTERIOR FINISH SCHEDULE.
5. SEE SHEET A501 AND A502 FOR INTERIOR ELEVATIONS.

DESIGN PROFESSIONALS

HILLFOLEYROSS & ASSOCIATES
ARCHITECTURE
ENGINEERING

3680 Pleasant Hill Road
Suite 200
Duluth, Georgia 30096
p 770.622.9858
f 770.622.9535
www.hillfoleyross.com

ISSUE/REVISION RECORD

DATE	DESCRIPTION
2018.08.22	PERMIT ISSUE

SHEET KEYNOTES

1. BRACKET TYPE A - REFER TO SHEET A430 FOR DETAIL.
2. BRACKET TYPE B - REFER TO SHEET A430 FOR DETAIL.
3. PROVIDE EIFS FINISH ON EXTERIOR WALL OF TOWER AS INDICATED ON EXTERIOR ELEVATIONS.
4. ILLUMINATED SIGN PANEL BY OWNER.
5. TAPERED INSULATION TO ROOF DRAIN.

RaceTrac

RACETRAC PETROLEUM, INC.
200 GALLERIA PKWY SE
SUITE 900
ATLANTA, GEORGIA 30339
(770) 431-7600

PROJECT NAME

GRIFFIN

GRIFFIN
GEORGIA
1638 US HWY 41
GRIFFIN, GA 30223

RACETRAC PROJECT NUMBER

#1242

PROTOTYPE SERIES 5.5K 2.0

2018 LH MO

PLAN MODIFICATION NOTICE

SPB NO.	DATE

PROFESSIONAL SEAL



PROJECT NUMBER

17.721.00

SHEET TITLE

**TOWER FLOOR
DIMENSION PLAN
AND DETAILS**

SHEET NUMBER

A121

ISSUED FOR PERMIT