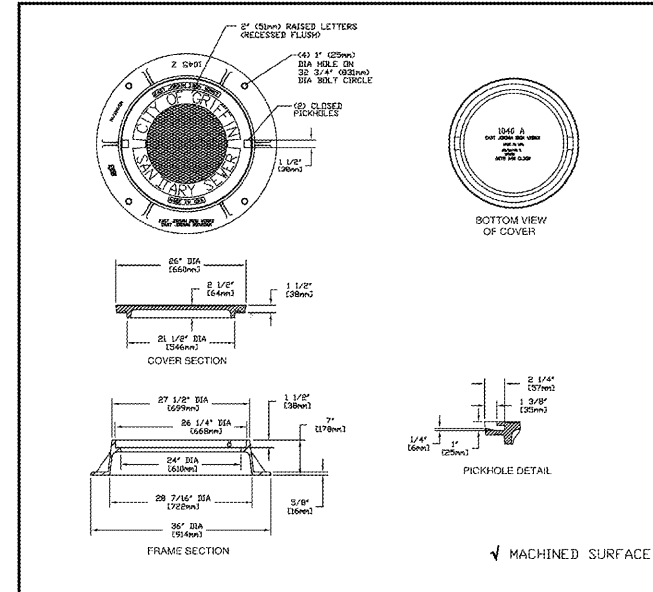
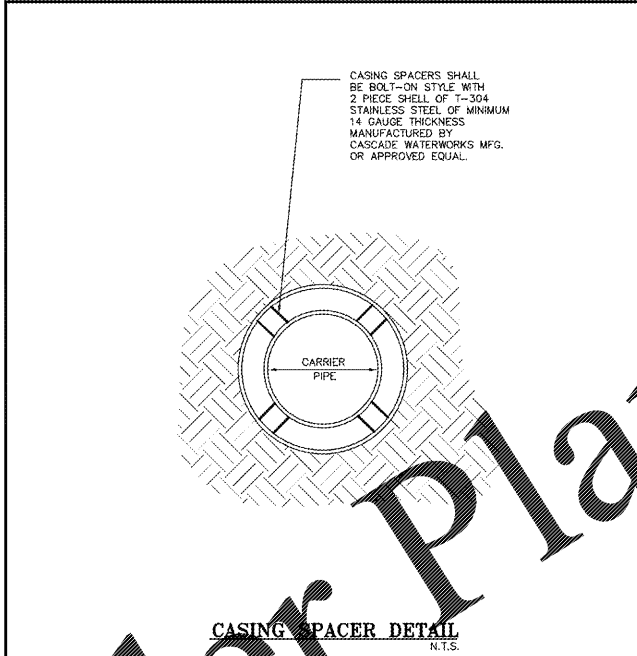


CITY OF GRIFFIN WATER AND WASTEWATER DEPARTMENT	PRECAST CONCRETE MANHOLE CONSTRUCTION STANDARD	DATE: SEPT '95	STANDARD NO. 700.01
		REV: MAR '07	
APPROVED:			

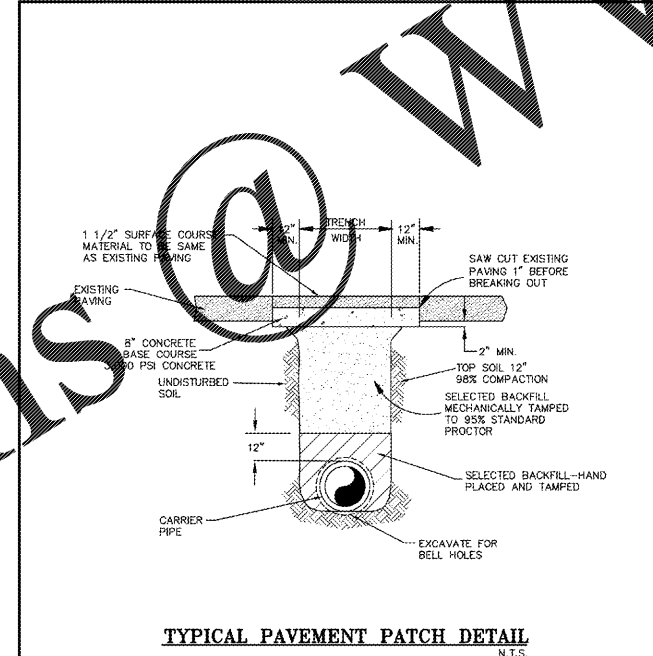


EAST JORDAN IRON WORKS, INC. P.O. BOX 439 EAST JORDAN, MI 49727 1-800-874-4100 FAX 231-336-4458	PRODUCT NO. 00104658	REF. PRODUCT DRAWING 104510 103615
EST. WT. COVER: 150 LBS 68kg FRAME: 156 LBS 71kg UNIT: 306 LBS 139kg	CATALOG NO. 1045Z 1040A	MAT'L SPEC. COVER - GRAY IRON ASTM A48 CL35B FRAME - GRAY IRON ASTM A48 CL35B

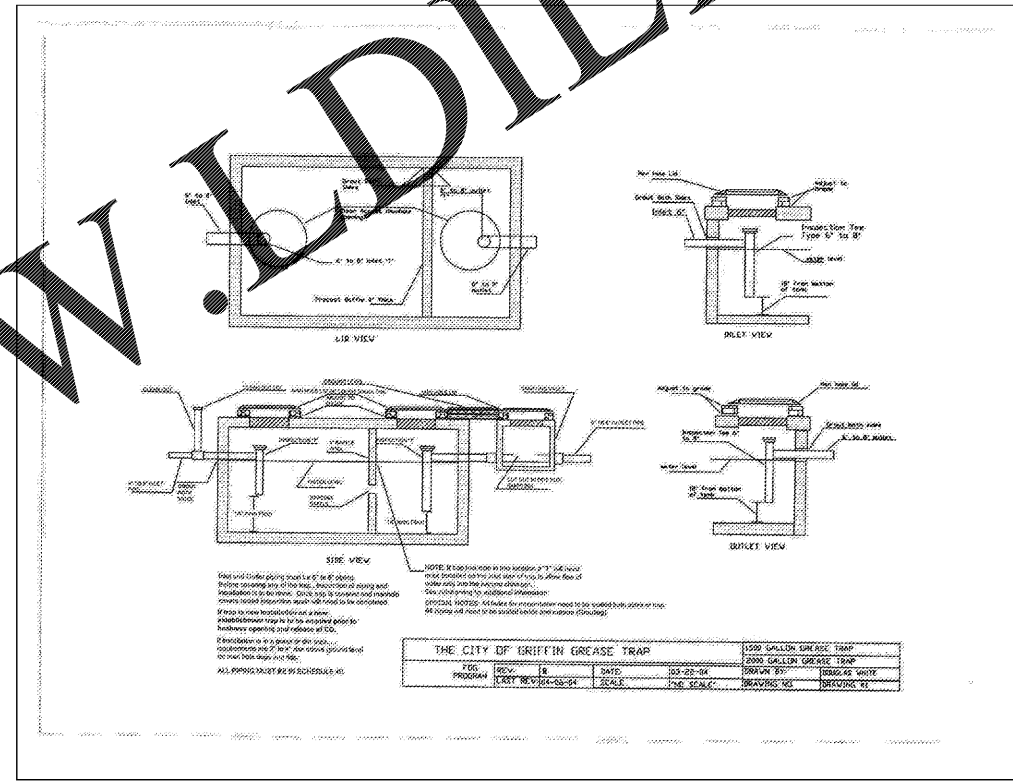
CITY OF GRIFFIN WATER AND WASTEWATER DEPARTMENT	STANDARD MANHOLE FRAME & COVER CONSTRUCTION STANDARD	DATE: SEPT '95	STANDARD NO. 700.01
		REV: MAR '07	
APPROVED:			



CITY OF GRIFFIN WATER AND WASTEWATER DEPARTMENT	WATER/SEWER CASING SPACER DETAIL CONSTRUCTION STANDARD	DATE: MAR '07	STANDARD NO. 700.20
		REV: MAR '07	
APPROVED:			



CITY OF GRIFFIN WATER AND WASTEWATER DEPARTMENT	TYPICAL PAVEMENT PATCH DETAIL CONSTRUCTION STANDARD	DATE: MAR '07	STANDARD NO. 700.24
		REV: MAR '07	
APPROVED:			



REVISIONS

NO.	REVISIONS	DATE
1	REVISED SET PER RT INTERNAL REVIEW / SPALDING COUNTY PLAN REVIEW	09/15/2017
2	REVISED SET PER RT INTERNAL REVIEW / SPALDING COUNTY PLAN REVIEW	12/01/17
3	REVISED SET PER RT INTERNAL REVIEW / SPALDING COUNTY PLAN REVIEW	07/06/2018
4	REVISED SET PER RT INTERNAL REVIEW / SPALDING COUNTY PLAN REVIEW	07/06/2018
5	REVISED SET PER RT INTERNAL REVIEW / SPALDING COUNTY PLAN REVIEW	07/06/2018
6	REVISED SET PER RT INTERNAL REVIEW / SPALDING COUNTY PLAN REVIEW	07/06/2018
7	REVISED SET PER RT INTERNAL REVIEW / SPALDING COUNTY PLAN REVIEW	07/06/2018
8	REVISED SET PER RT INTERNAL REVIEW / SPALDING COUNTY PLAN REVIEW	07/06/2018
9	REVISED SET PER RT INTERNAL REVIEW / SPALDING COUNTY PLAN REVIEW	10/24/2018

REGISTERED PROFESSIONAL ENGINEER
No. 22518
K. A. KAREEM, M.E.
2160 Kingston Court, Suite O
Marietta, GA 30067
(770) 880-8255
www.aandring.com

A&R Engineering, Inc.

THESE PLANS ARE SUBJECT TO FEDERAL COPYRIGHT LAWS. ANY USE OF SAME WITHOUT THE EXPRESS WRITTEN PERMISSION OF RACETRAC PETROLEUM, INC. IS PROHIBITED.

RaceTrac
RACETRAC PETROLEUM, INC.
200 GALLERIA PKWY, S.E.
SUITE 900 ATLANTA, GA 30339
(770) 431-7600

Griffin Stds & Details
RACETRAC MARKET
RaceTrac Griffin
1638 US Hwy 41
Spalding County

DATE: 7-24-17
DRAWN-BY: JDE
CHECK-BY: AKA
DRAWING NAME: 16-136
SD11 REV 9
SHEET NO. REVISION