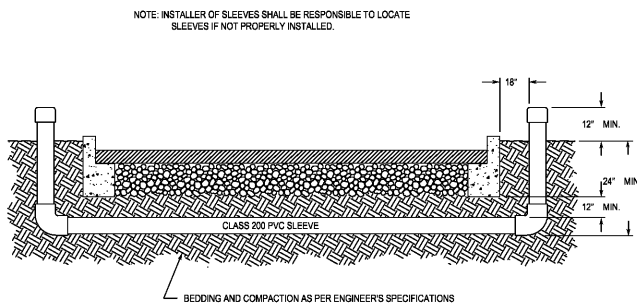
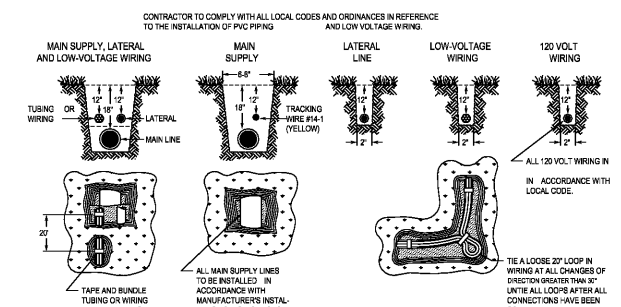


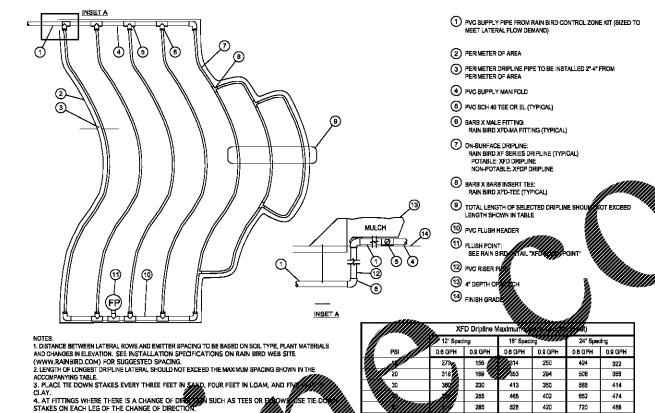
**1** MANUAL DRAIN VALVE  
L2.2  
NTS



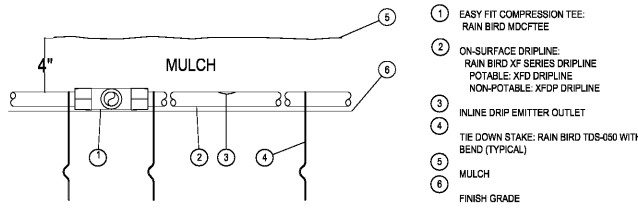
**2** SLEEVING  
L2.2  
NTS



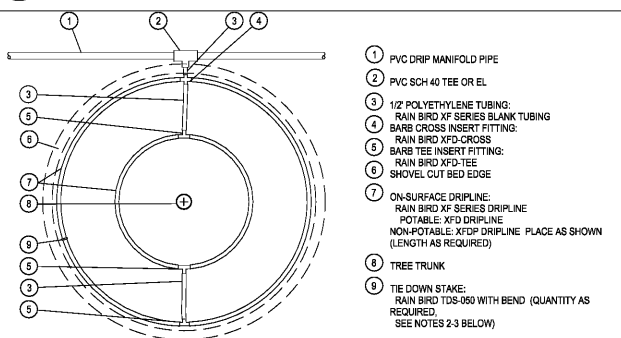
**3** TRENCHING  
L2.2  
NTS



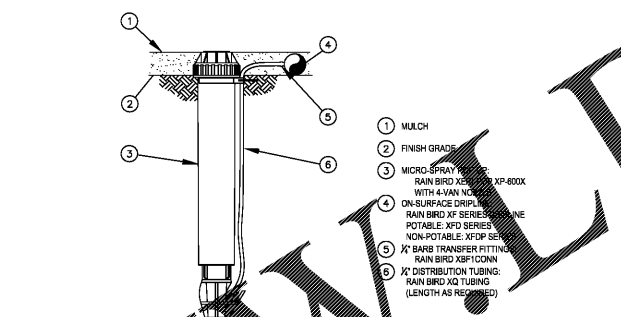
**4** MANUAL DRAIN VALVE  
L2.2  
NTS



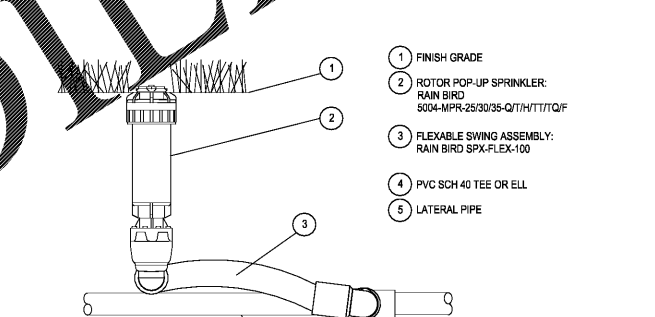
**5** LANDSCAPE DRIPLINE ON GRADE  
L2.2  
NTS



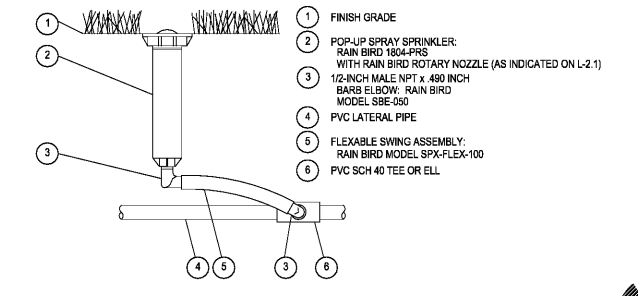
**6** DRIPLINE OPERATION INDICATOR  
L2.2  
NTS



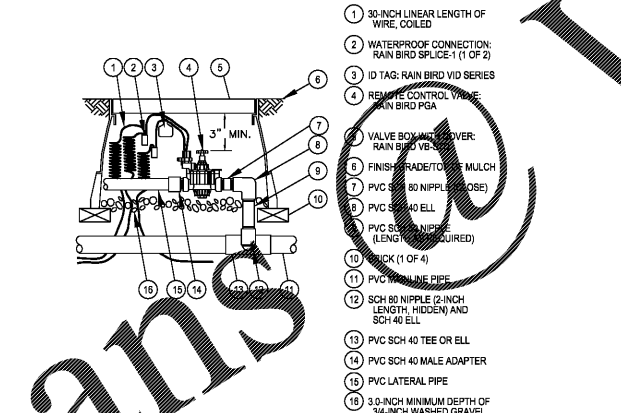
**7** DRIPLINE OPERATION INDICATOR  
L2.2  
NTS



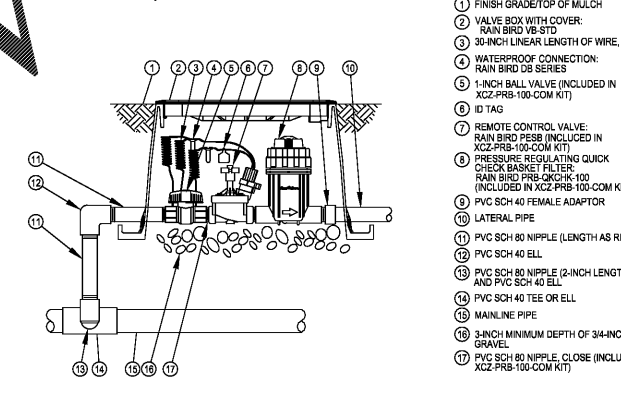
**8** ROTOR POP-UP SPRINKLER:5004-MPR NOZZLE  
L2.2  
NTS



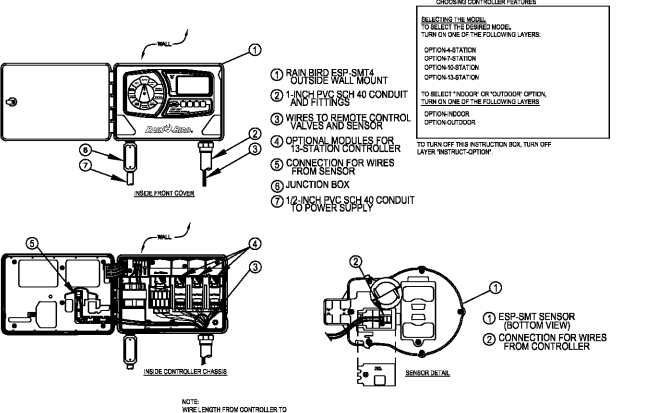
**9** ROTARY NOZZLE: 1804 POP-UP SPRAY SPRINKLER  
L2.2  
NTS



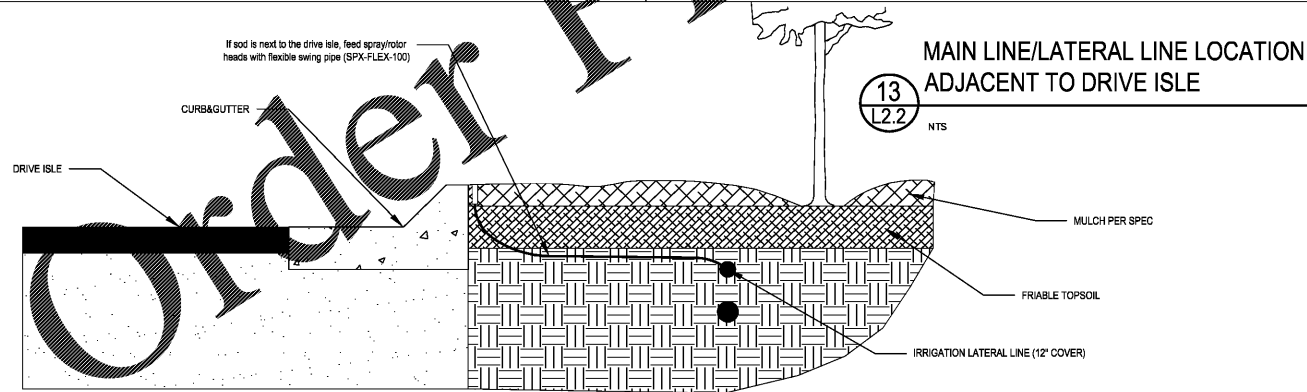
**10** TURF VALVE PGA-PRS-D  
L2.2  
NTS



**11** DRIPLINE VALVE:XCZ-PRB-100-B-COM  
L2.2  
NTS



**12** SMART CONTROLLER:ESP-SMT  
L2.2  
NTS



**13** MAIN LINE/LATERAL LINE LOCATION ADJACENT TO DRIVE ISLE  
L2.2  
NTS



**RaceTrac**  
RACETRAC PETROLEUM, INC.  
3225 CUMBERLAND BLVD.  
ATLANTA, GEORGIA 30339  
(770) 431-7600

**RaceTrac Market #1242**  
Hwy 19 & Hwy 41  
Griffin, GA  
Spalding Co.

date: 8.2.17  
scale: NTS  
drawn by: SLM  
checked by: SLM  
job number: 2017069



issued

1	
2	
3	
4	
5	8.22.18 Client Comments
6	10.2.18 Client Comments
7	
8	
9	
10	
11	
12	
13	
14	
15	
16	
17	

sheet title  
**Irrigation Details**  
sheet number  
**L-2.2**