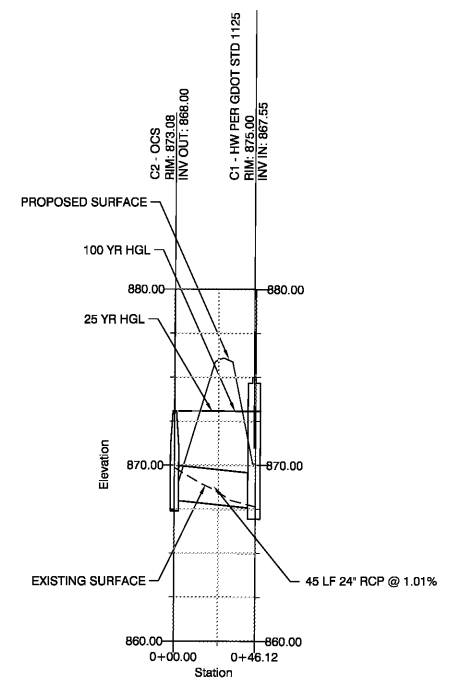
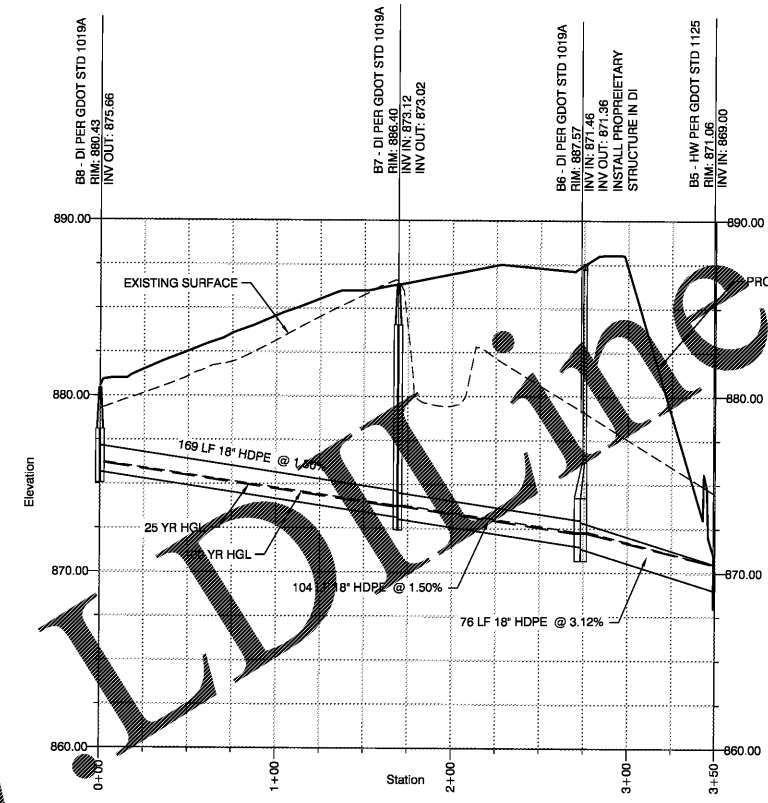
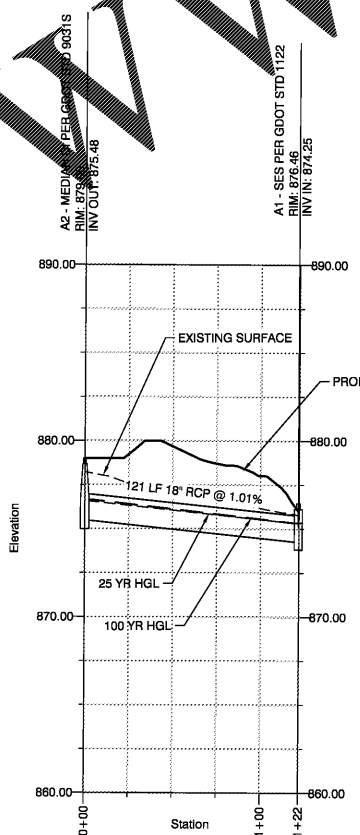
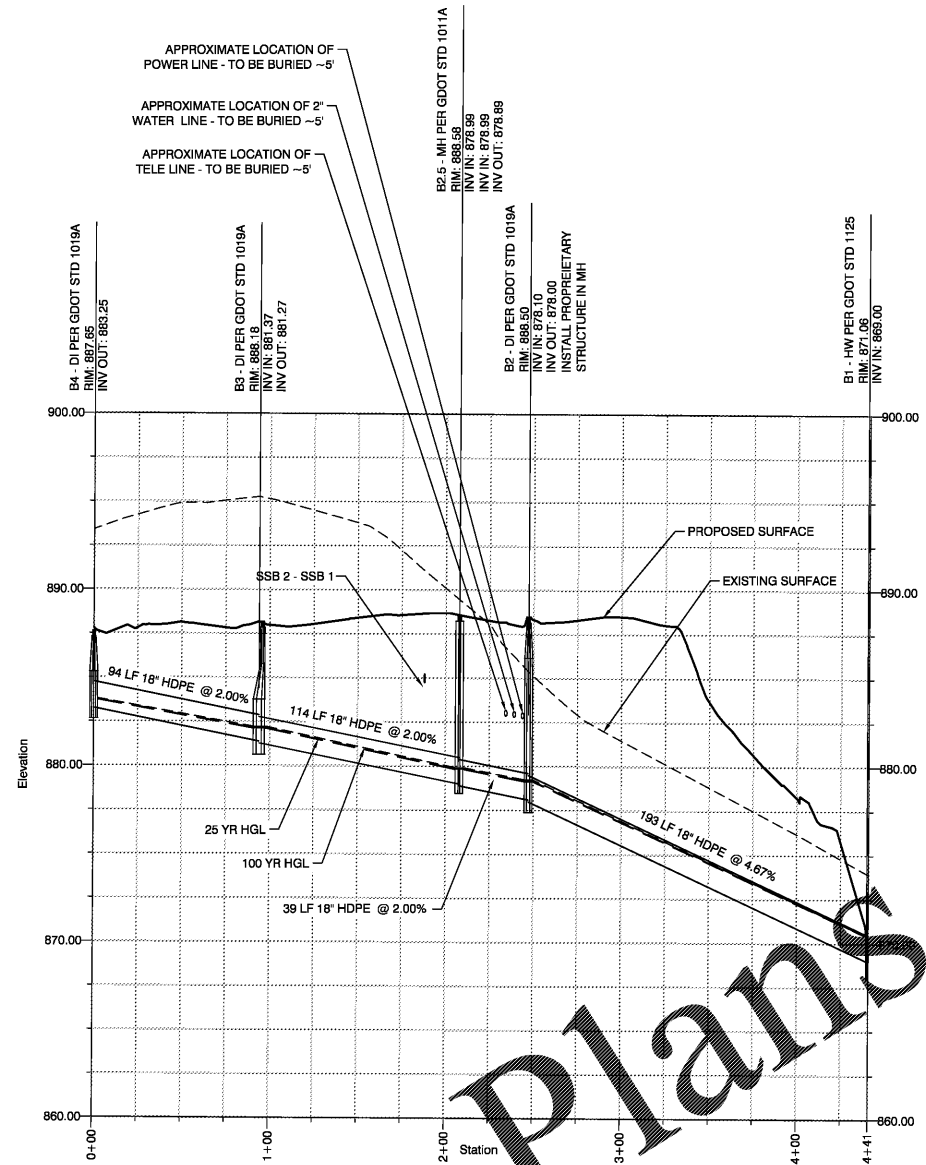


Know what's below.
Call before you dig.



Order Plans @ www.LDOnline.com

9	REVISED PER SPALDING CO COMMENTS	10/24/2018	DATE
7	REVISED PER SPALDING CO CITY OF GRIFFIN / RT INTER	09/16/2018	REVISIONS
6	REVISED PER FEED DROP OF 4"	07/06/2018	NO
5	REVISED SET DRAINAGE IN R/W PER GDOT COMMENTS	07/06/2018	NO
4	REVISED SET PER SPALDING COUNTY PLAN REVIEW	12/13/2017	NO
3	REVISED SET PER RT INTERNAL REVIEW / SPALDING COUNTY PLAN REVIEW	12/13/2017	NO
2	REVISED SET PER RT INTERNAL REVIEW / SPALDING COUNTY PLAN REVIEW	10/20/2017	NO
1	REVISED SET PER RT INTERNAL REVIEW / SPALDING COUNTY PLAN REVIEW	09/15/2017	NO

THESE PLANS ARE SUBJECT TO FEDERAL COPYRIGHT LAWS. ANY USE OF SAME WITHOUT THE EXPRESSED WRITTEN PERMISSION OF RACETRAC PETROLEUM, INC. IS PROHIBITED.

Racetrac
RACETRAC PETROLEUM, INC.
200 GALLERIA PKWY, S.E.
SUITE 900 ATLANTA, GA 30339
(770) 431-7600

Stormwater Profiles
RACETRAC MARKET

RaceTrac Griffin
1638 US Hwy 41
Spalding County

DATE: 7-24-17
DRAWN-BY: JDE
CHECK-BY: AKA
DRAWING NAME: 16-136

C-2.4 REV 9
SHEET NO. REVISION