

TO BE SHOWN ON THE EROSION AND SEDIMENT CONTROL PLAN

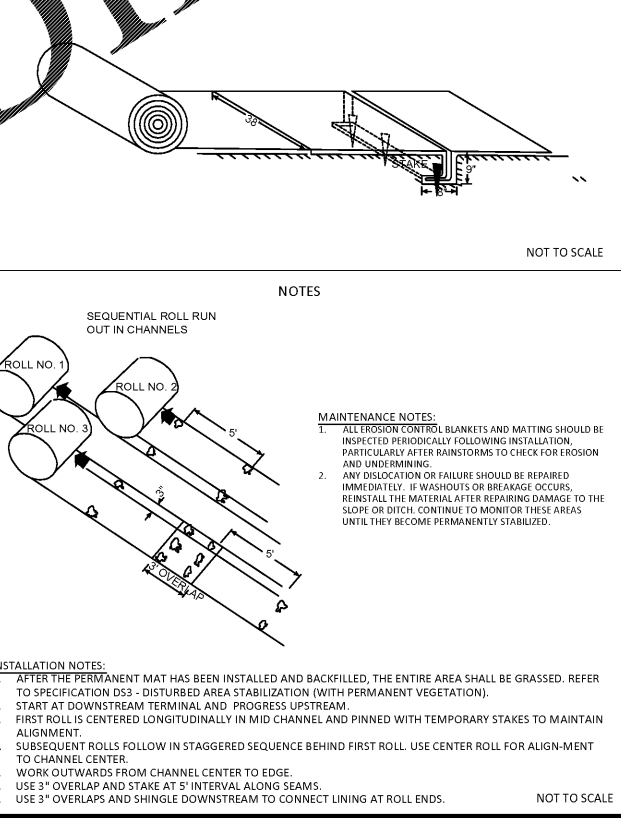
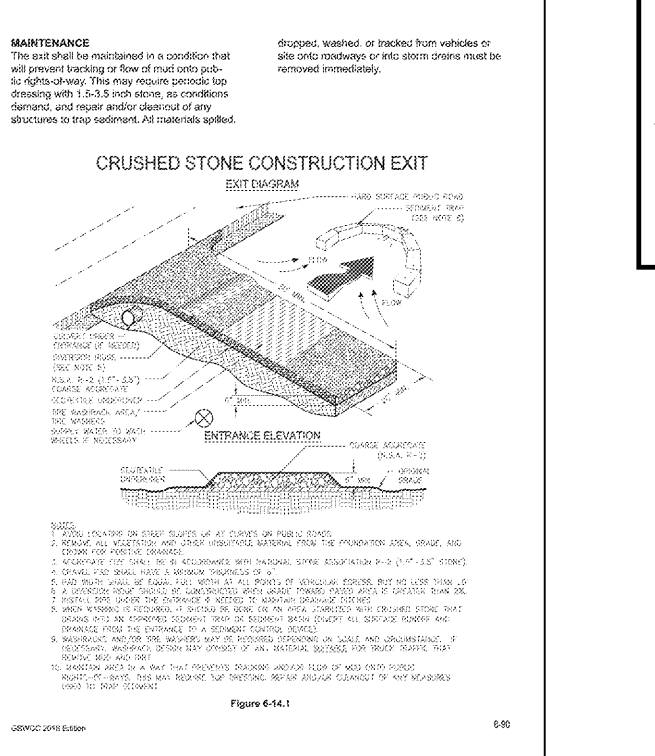
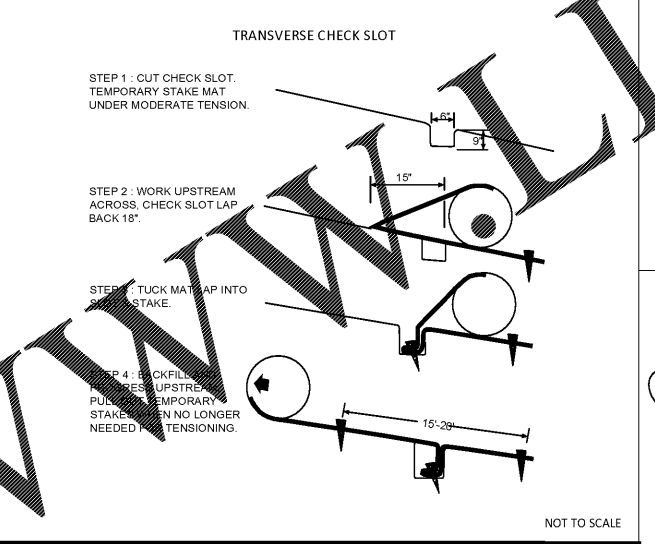
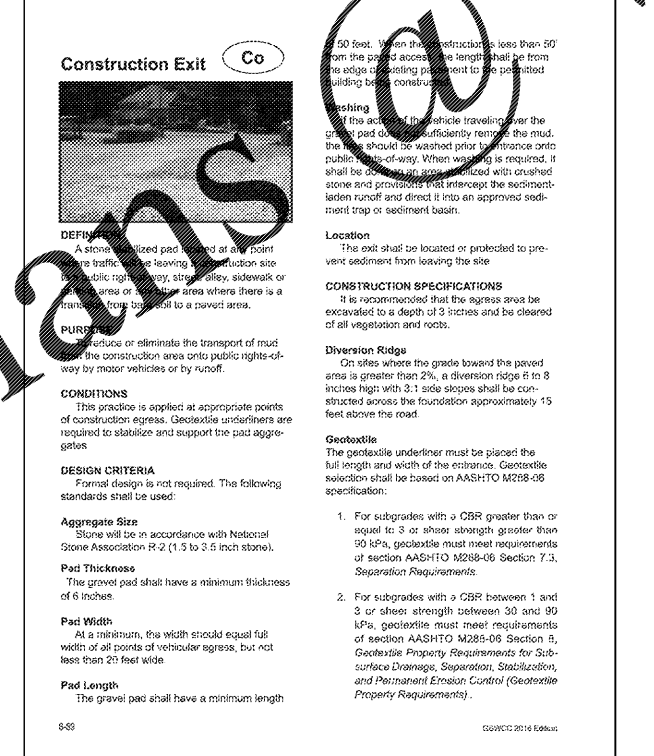
1. cfs in the channel/ditch that the check dam is being used in: 8.55

2. Above 2.0 cfs: Yes No

3. If Yes, Set BMP being used in conjunction with check dams: Ch-1 (Ds4)

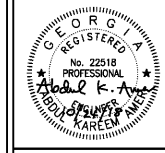
TO BE SHOWN ON THE EROSION AND SEDIMENT CONTROL PLAN

1. The velocity in the channel, in ft/sec, for when the channel is flowing at the bank-full discharge or 25-year frequency discharge, whichever is the greater.
2. The type of lining to be used to stabilize the channel, i.e. vegetation (Ch-1); indicate types of vegetation and staking or blankets to be used; riprap (Ch-2); indicate average stone size; or concrete (Ch-3).



Order Plans

NO	REVISIONS	DATE
1	REVISED SET PER RT INTERNAL REVIEW / SPALDING COUNTY PLAN REVIEW	09/15/2017
2	REVISED SET PER RT INTERNAL REVIEW / SPALDING COUNTY PLAN REVIEW	12/20/17
3	REVISED SET PER RT INTERNAL REVIEW / SPALDING COUNTY PLAN REVIEW	01/12/2018
4	REVISED SET PER SPALDING COUNTY PLAN REVIEW	07/06/2018
5	REVISED SET PER DROP OF 4\"/>	
6	REVISED PER SPALDING CO COMMENTS	09/16/2018
7	REVISED PER SPALDING CO COMMENTS	10/24/2018



A&R Engineering, Inc.
 2100 Kingston Court, Suite O
 Marietta, GA 30067
 (770) 980-6255
 www.aandring.com

THESE PLANS ARE SUBJECT TO FEDERAL COPYRIGHT LAWS. ANY USE OF SAME WITHOUT THE EXPRESSED WRITTEN PERMISSION OF RACETRAC PETROLEUM, INC. IS PROHIBITED.

RaceTrac
RACETRAC PETROLEUM, INC.
 200 GALLERIA PKWY, S.E.
 SUITE 900 ATLANTA, GA 30339
 (770) 431-7600

DATE	7-24-17
DRAWN BY	JDE
CHECK BY	AKA
DRAWING NAME	16-136
ES-D1	REV 9
SHEET NO.	REVISION