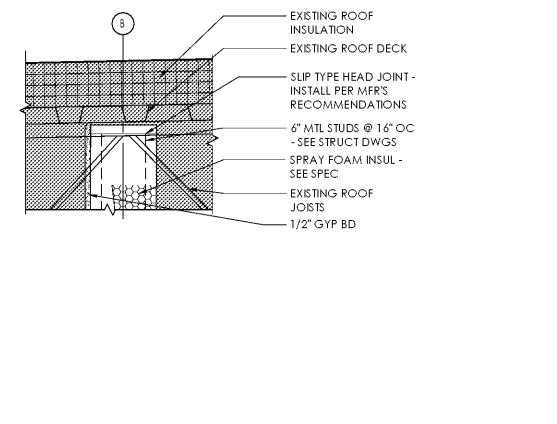
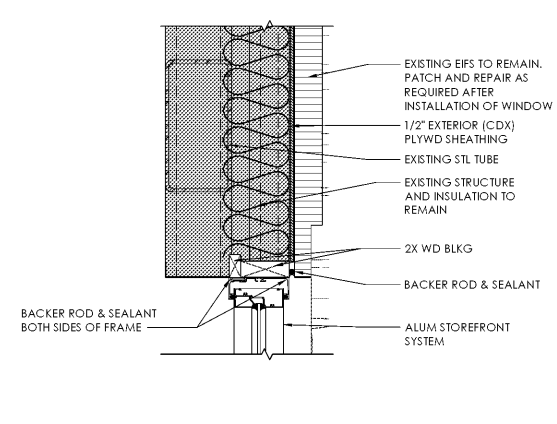


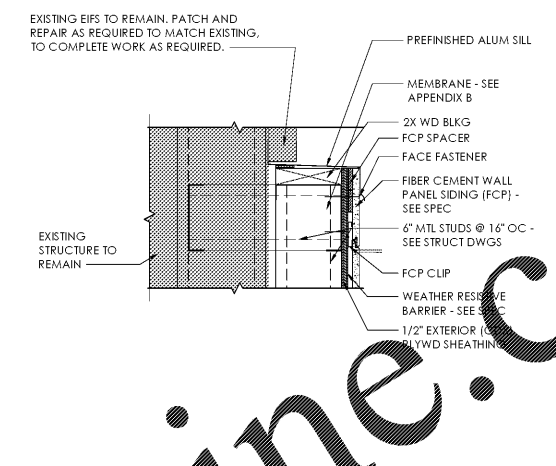
D3 Exterior Section Detail - Storefront Head at Vestibule
SCALE: 1 1/2" = 1'-0"



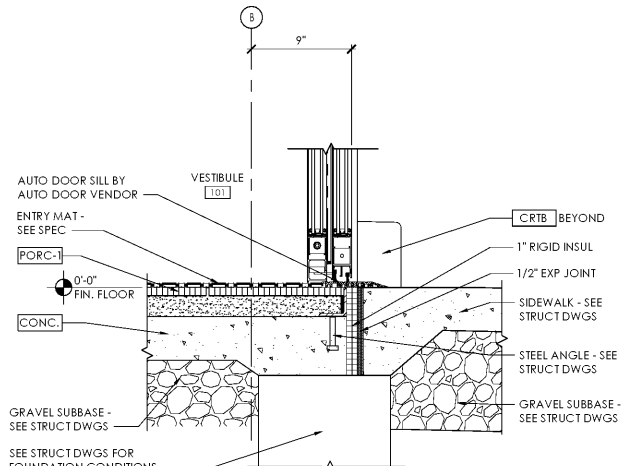
C3 Exterior Section Detail - Wall Connection at Roof
SCALE: 1 1/2" = 1'-0"



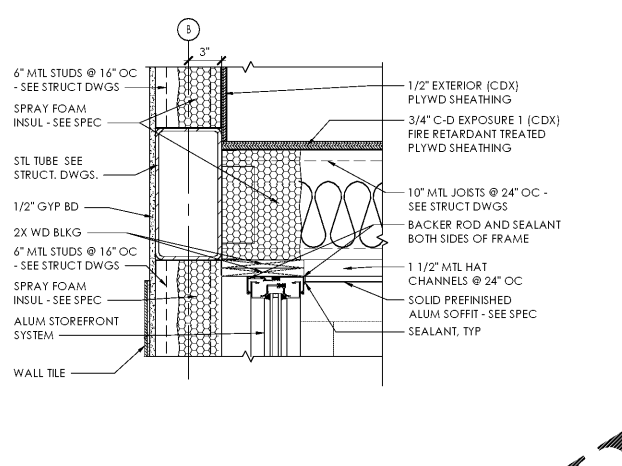
B3 Exterior Section Detail - Canopy Roof at Access Panel
SCALE: 1 1/2" = 1'-0"



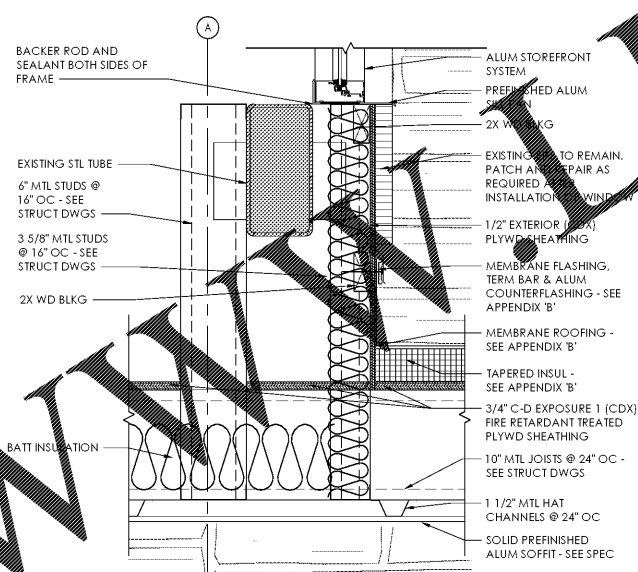
A3 Exterior Section Detail -
SCALE: 1 1/2" = 1'-0"



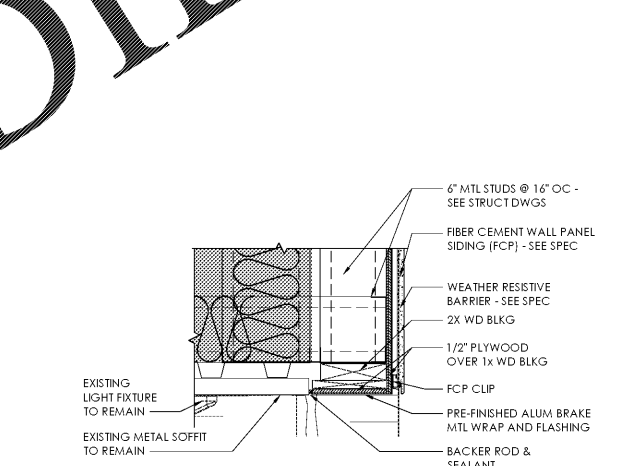
D2 Exterior Section Detail - Slab at Autosliding Doors
SCALE: 1 1/2" = 1'-0"



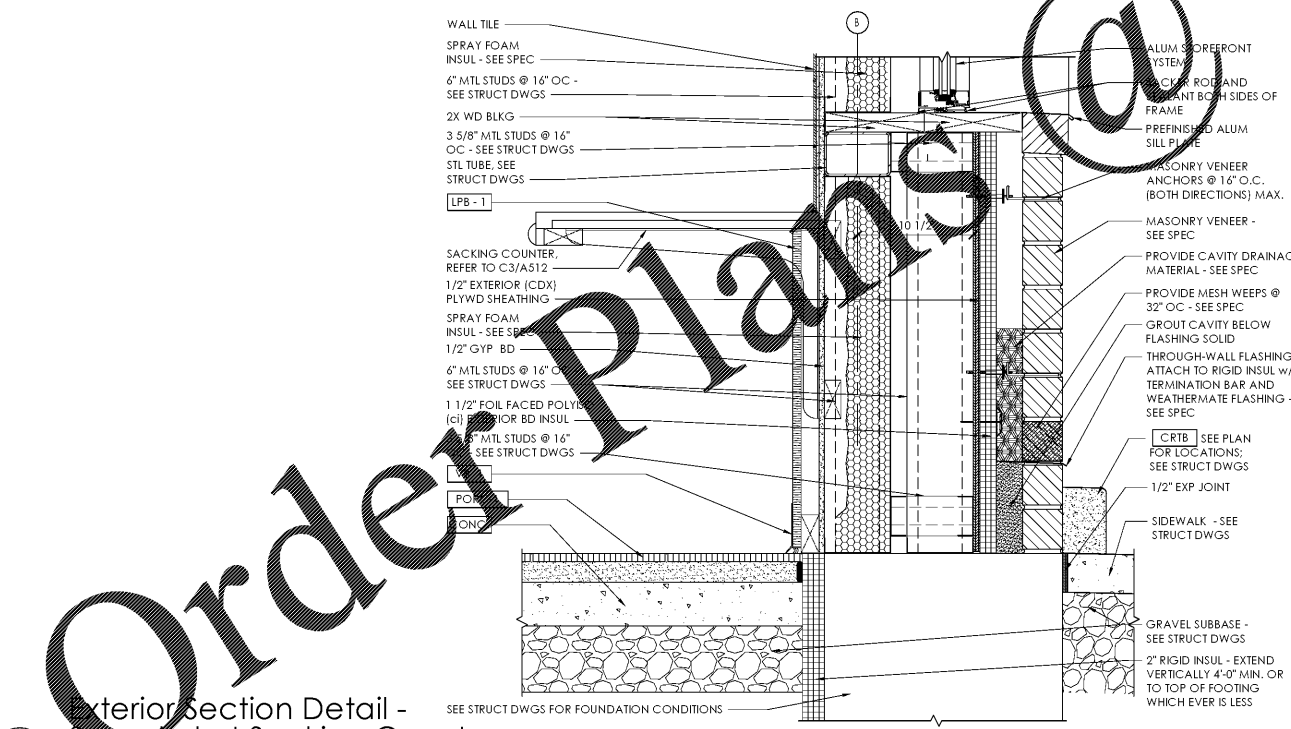
C2 Exterior Section Detail - Spandrel at Sacking Counter
SCALE: 1 1/2" = 1'-0"



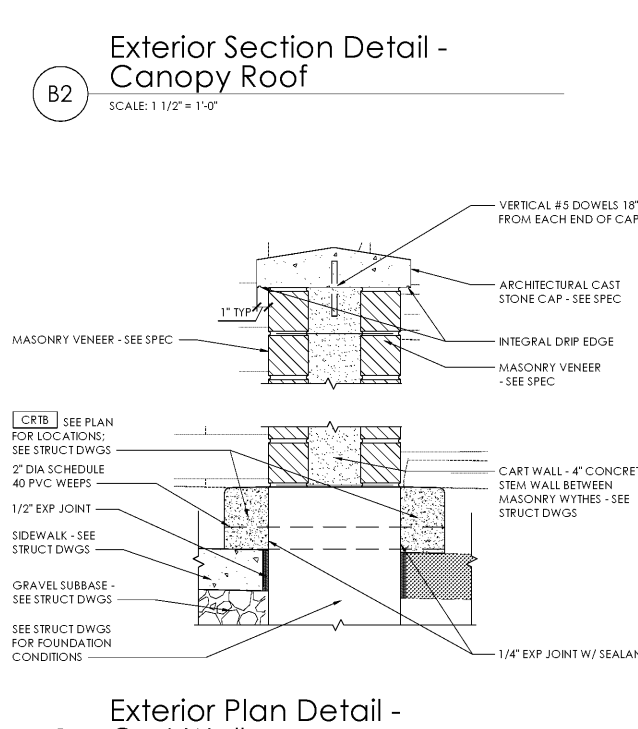
B2 Exterior Section Detail - Canopy Roof
SCALE: 1 1/2" = 1'-0"



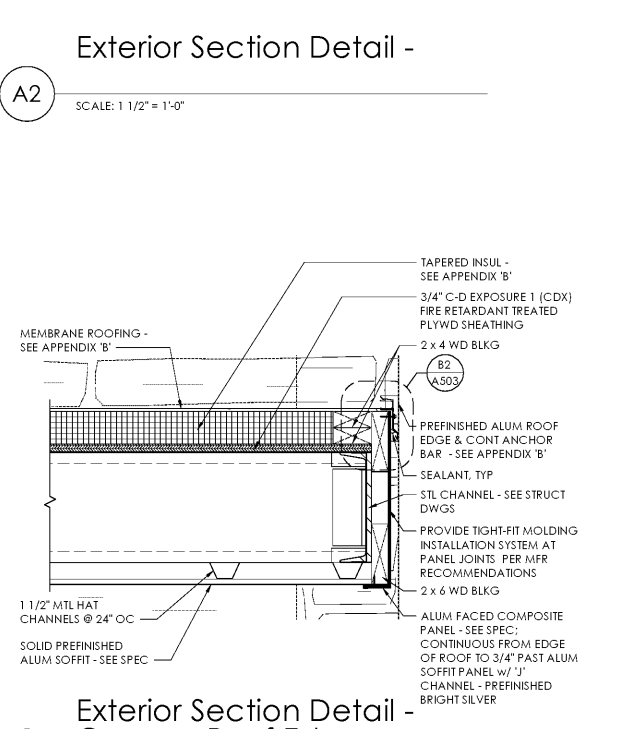
A2 Exterior Section Detail -
SCALE: 1 1/2" = 1'-0"



D1 Exterior Section Detail - Spandrel at Sacking Counter
SCALE: 1 1/2" = 1'-0"



B1 Exterior Plan Detail - Cart Wall
SCALE: 1 1/2" = 1'-0"



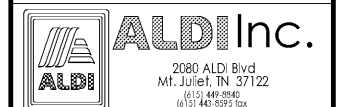
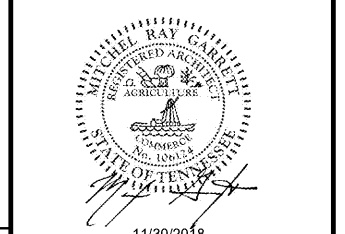
A1 Exterior Section Detail - Canopy Roof Edge
SCALE: 1 1/2" = 1'-0"

Issued:	Date:
A Owner Review Set	11/14/18
B Permit Set	11/28/18
C Bid Set	11/28/18
D	
E	
Revisions:	Date:
1	
2	
4	
5	
6	
8	
9	

DO NOT SCALE PLANS
Copying, Printing, Software and other processes required to produce these prints can stretch or shrink the actual paper or layout. Therefore, scaling of this drawing may be inaccurate. Contact SGA Design Group, P.C. with any need for additional dimensions or clarifications.
STIPULATION FOR REUSE: THIS DRAWING WAS PREPARED FOR USE ON A SPECIFIC SITE AT HENDERSONVILLE, TN. IT IS NOT SUITABLE FOR USE ON A DIFFERENT PROJECT SITE OR AT A LATER TIME. USE OF THIS DRAWING FOR REFERENCE OR EXAMPLE ON ANOTHER PROJECT REQUIRES THE SERVICES OF PROPERLY LICENSED ARCHITECTS AND ENGINEERS. REPRODUCTION OF THIS DRAWING FOR REUSE ON ANOTHER PROJECT IS NOT AUTHORIZED AND IS CONTRARY TO THE LAW.
© SGA DESIGN GROUP, P.C.

SGA Design Group, P.C.
1437 South Boulder, Suite 550
Tulsa, Oklahoma 74119.3609
p: 918.587.8600
f: 918.587.8601
www.sgadesigngroup.com

DRAWN BY: SK
REVIEWED BY: GT



ALDI Inc. Store #:56R
Hendersonville, TN
217 Indian Lake Blvd., Ste 700
Hendersonville, TN 37075
Summer County
Project Name & Location:

Exterior Details Drawing Name:		Project No. 1813363
Date:	11/28/18	
Type:	v7.1 RETRO-FIT	
Drawn By:	SK	A-502
Scale:	As Noted	Drawing No.

Order Plans @

WWW.DLINE.COM