



225 VANCE STREET, SUITE 301 NEW YORK, NY 10014

CONCORD NORTH CAROLINA

submission:	Date
OWNER REVIEW	11/01/2018
BID SET	11/01/2018
PERMIT SET	11/01/2018

#	Description	Date
---	-------------	------



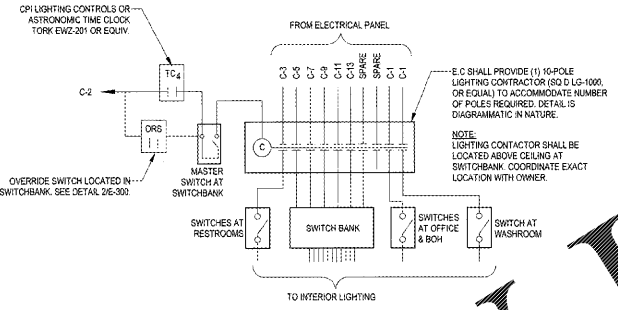
NOV 02 2018

ELECTRICAL LIGHTING PLAN

E300

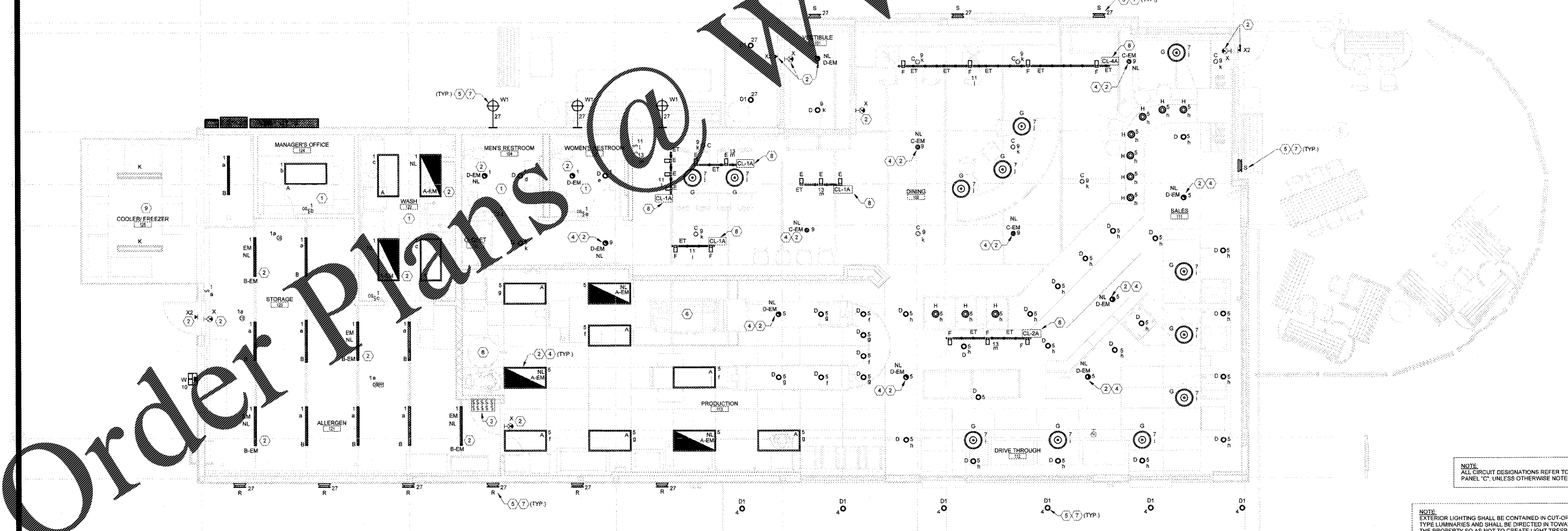
LIGHTING FIXTURE SCHEDULE									
TYPE MARK	WFR	CATALOG NO	DESCRIPTION	MOUNTING	LAMP	VOLTAGE	WATS	COMMENTS	REMARKS
A-EM	COOPER LIGHTING	2MP473C-EMPLEDIAW	2M4 LED FLAT PANEL	RECESSED	LED	120 V	48.40 VA	NO DIMMING	
B	COOPER LIGHTING	2MP473C	2M4 LED FLAT PANEL	RECESSED	LED	120 V	48.40 VA	NO DIMMING	
B-EM	WILLIAMS	24FT LED STRIP	24FT LED STRIP	12" @ 4' F.F.	LED	120 V	44.00 VA	NO DIMMING	
C	CONTECH LIGHTING	CL18-SS-AWD-C-PL-P	CEILING MOUNT LED F CYLINDER	BOTTOM OF JOIST	LED	120 V	37.00 VA	5-10% DIMMING	
C-EM	CONTECH LIGHTING	CL18-SS-AWD-C-PL-P	CEILING MOUNT LED F CYLINDER	BOTTOM OF JOIST	LED	120 V	37.00 VA	5-10% DIMMING	
D	Cooper Lighting	LD46-2S-2019-REAB-120-SS-34-B-W-V1-H-HBBELG5	4" RECESSED LED DOWNLIGHT	RECESSED	LED	120 V	21.20 VA	NO DIMMING	EXTERIOR-PS8 FATED
D1		4x4 P8							
C-EM	Cooper Lighting	4" RECESSED LED DOWNLIGHT		RECESSED	LED	120 V	21.20 VA	NO DIMMING	
E	CONTECH LIGHTING	CTL1822-F-SO-P	LED TRACK FIXTURE	TRACK 10" @ 4' F.F.	LED	120 V	26.00 VA	5-10% DIMMING	
E1		2, 4 OR 8 SINGLE CIRCUIT LINE VOLTAGE TRACK			NA	120 V			CURRENT LIMITER SIZE AS SHOWN, CONTECH LIGHTING CAT #1A-ZST-AN-P-SUZ-P
F	CONTECH LIGHTING	CTL1824-SO-P	LED WALL WASH TRACK FIXTURE	TRACK 10" @ 4' F.F.	LED	120 V	28.00 VA	NO DIMMING	
G	CRYSTAL LIGHTING	CL4XRS-NOLAMP-PM	34" CUSTOM PENDANT	7' @ 4' F.F.	LED	120 V	60.00 VA	FORWARD PHASE	LOC TO PROVIDE 410 MED. BASE LED LAMP
H	CRYSTAL LIGHTING	CL4XRS-NOLAMP-PM	34" CUSTOM PENDANT	7' @ 4' F.F.	LED	120 V	28.00 VA	FORWARD PHASE	LOC TO PROVIDE 410 MED. BASE LED LAMP
K	COLUMBIA LIGHTING	LV284-SL-HL-RFA-2-U	4 LED EXTREME ENVIRONMENT FIXTURE SURFACE		LED	120 V	47.00 VA	DIMMING	
L	TECH LIGHTING	4000MPR-F-020-154-8-AN-S	ROUND WALL MOUNTED BACKLIT SCENE	SEE PLANS	LED	120 V	32.00 VA	NO DIMMING	
RS	AQUITY BRANDS LIGHTING	150C-HH-A000-AHX-MVOLT-FT-CPL	3115 CULIVER BOLLARD FORWARD THROWN DISTRIBUTION WITH COATED 1600 MH ED-17	SEE PLANS	LED	120 V	72.35 VA	NO DIMMING	CUSTOM GREEN FINISH
S	TECH LIGHTING	1000MPR-F-020-154-B-AN-S	SQUARE WALL MOUNTED BACKLIT SCENE	SEE PLANS	LED	120 V	32.00 VA	NO DIMMING	
W	AQUITY BRANDS LIGHTING	4000K-LED-100-350-45K-740K-MVOLT-CWBD	4000K LED TYPE 4 MEDIUM OPTIC	16" @	LED	120 V	22.00 VA	NO DIMMING	
W1	HALITE MFG CO	H-1810-18-R-C-3-91-3-10-LED22-NB-PCM	EXTERIOR GOOSENECK FIXTURE	BOTTOM OF GOOSENECK 12" @ 4' F.F.	LED	120 V	31.00 VA	NO DIMMING	
X	EXITRONK	8024-U-MB-R-C-24-IN-G3	EDGE-LIT EXIT SIGN	18" ABOVE DOOR OR AT CEILING HEIGHT WHICH EXCEEDS 12' LINEAR	LED	120 V	4.00 VA	NO DIMMING	
X2	EXITRONK	TRLE-EM-K	EXTERIOR EMERGENCY EGRESS	MOUNT OVER EXTERIOR DOOR, NO MORE THAN 10' @ 4' F.F.	LED	120 V	22.22 VA	NO DIMMING	

2 switchbank elevation  
SCALE | N.T.S.



3 interior lighting control diagram  
SCALE | N.T.S.

4 exterior lighting control diagram  
SCALE | N.T.S.



1 lighting plan  
SCALE | 1/4" = 1'-0"

Order Plans @ WWW.LDWORLDLINE.COM