



225 WACKER STREET, SUITE 301
NEW YORK, NY 10014

CONCORD
NORTH CAROLINA

submission:	Date
OWNER'S REVIEW	11/01/2018
BID SET	11/01/2018
PERMIT SET	11/01/2018

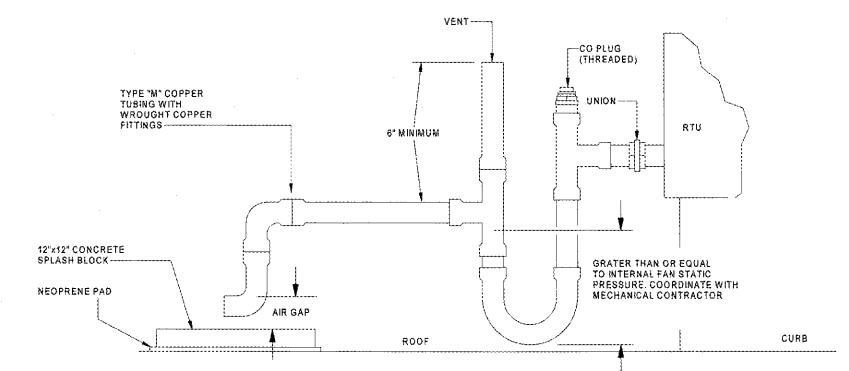
revisions:	Date
#	Description



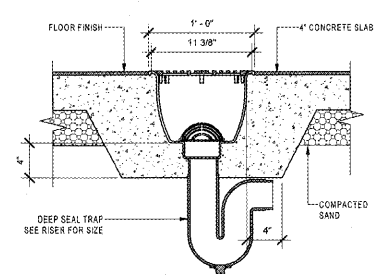
NOV 02 2018

PLUMBING
DETAILS

P501

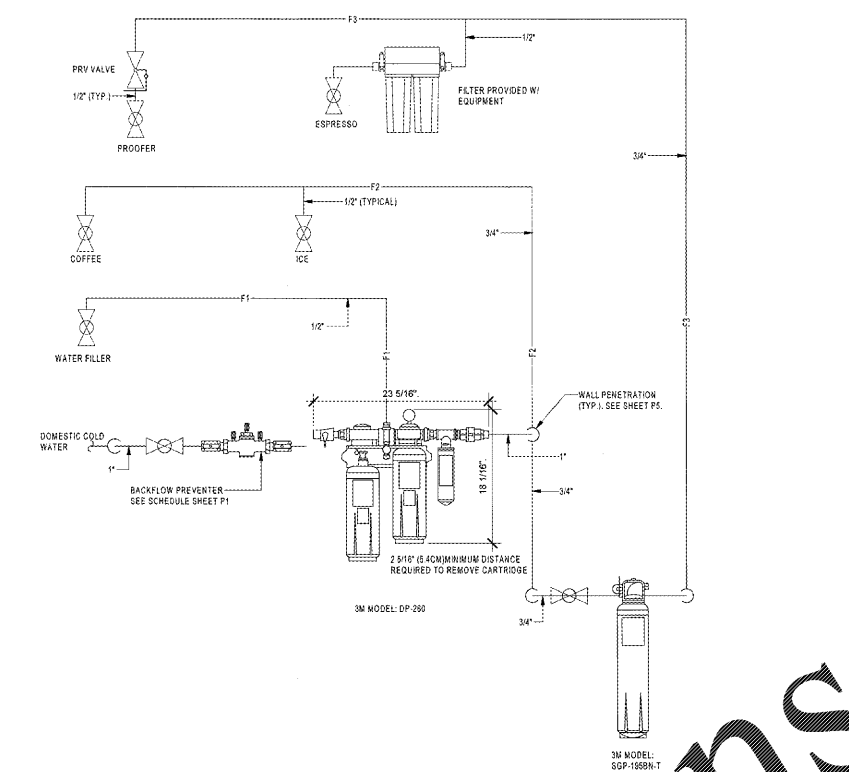


8 condensate drain for roof top unit
SCALE | N.T.S.

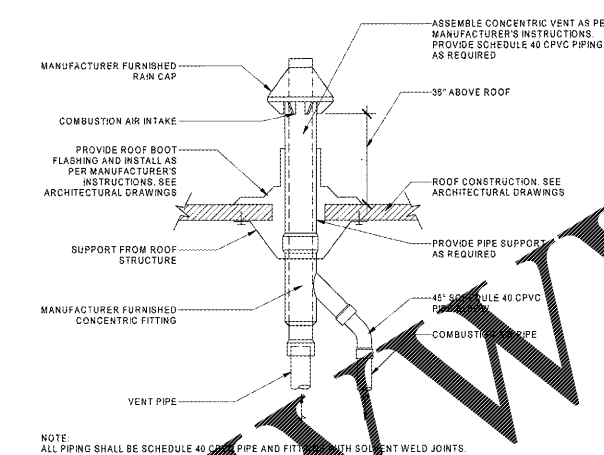


9 floor sink detail
SCALE | N.T.S.

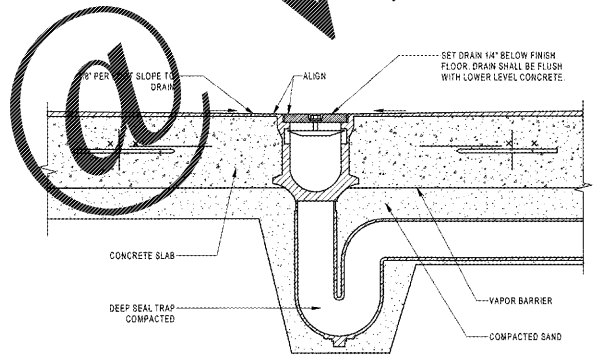
- WATER HEATER GENERAL NOTES**
- P.C. SHALL INSULATE CW/HW SUPPLY PIPING FROM WATER HEATER INLET/OUTLET.
 - WATER PIPING KIT MODEL RIK-KIT (SEE DETAIL) PROVIDED WITH EACH WATER HEATER (WH-1).
 - P.C. SHALL PROVIDE AND INSULATE ALL 3/4\"/>
 - P.C. SHALL PROVIDE ALL CONTROLS WITH PACKAGE AND E.C. SHALL INSTALL ALL CONNECTIONS PER MANUFACTURER'S RECOMMENDATION.
 - P.C. SHALL INSTALL 3/4\"/>
 - P.C. SHALL INSTALL 3/4\"/>
 - P.C. SHALL PROVIDE/INSTALL AND SET AQUASTAT TO TURN PUMP OFF ONCE WATER TEMPERATURE REACHES 140\"/>
 - MOUNT WATER HEATERS ON WALL IN LOCATION AS SHOWN ON PLANS. INSULATE WATER HEATERS PER MANUFACTURER'S RECOMMENDATION. CLEARANCES, REMOTES TO BE PROVIDED AND LABELED IN MANAGERS OFFICE. E.C. SHALL WIRE CONTROLS. COORDINATE WITH E.C.
 - P.C. SHALL PROVIDE FLOW SWITCH FOR RECIRCULATION. FLOW SWITCH TO SHUT RECIRCULATION PUMP OFF UPON DETECTION OF FLOW. P.C. SHALL INSTALL AND E.C. TO WIRE CONTROLS.
 - P.C. SHALL PROVIDE/INSTALL AND SET CLOCK TIMER TO ISOLATE WATER TO PUMPS DURING UNOCCUPIED PERIODS (VERIFY DAILY HOURS OF OPERATION WITH OWNER). SEE SPECIFICATIONS SHEET.



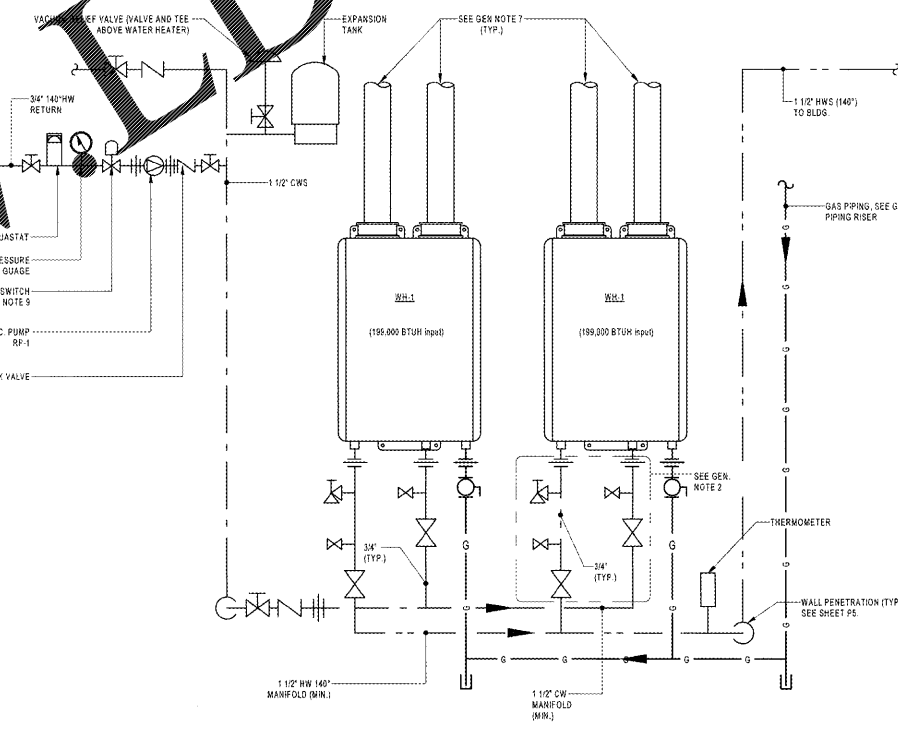
5 3m Model: Tds>250-Dp260 Water Filter Detail
SCALE | N.T.S.



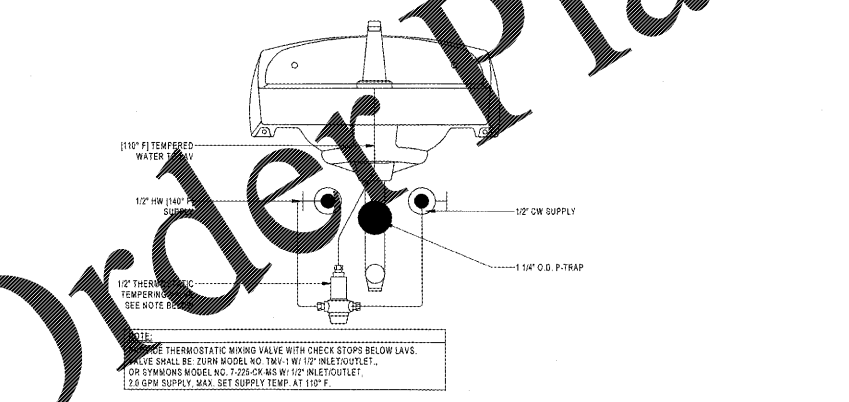
6 water heater concentric vent thru roof detail
SCALE | N.T.S.



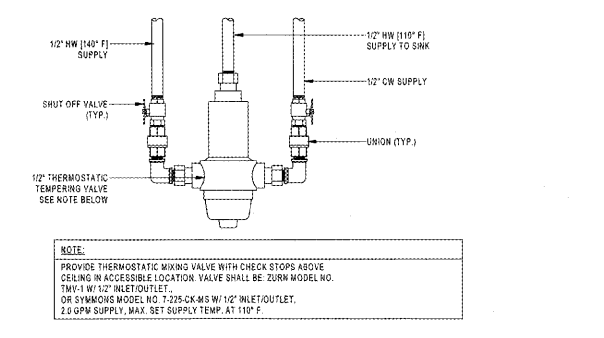
4 trench drain detail
SCALE | N.T.S.



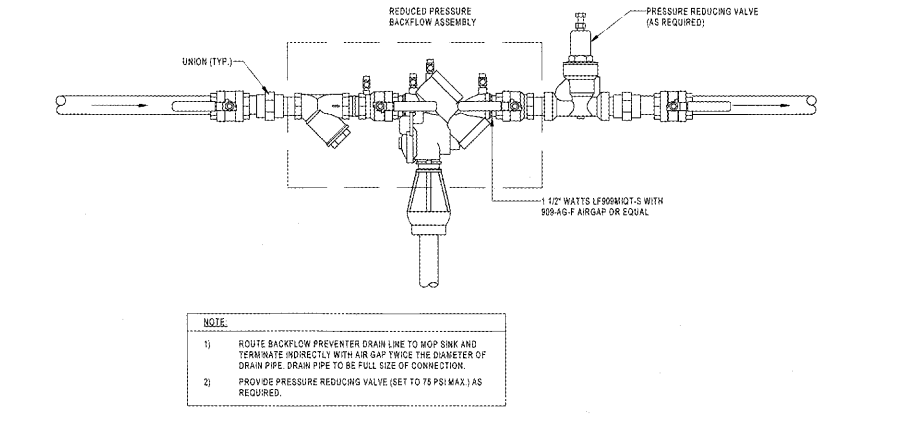
7 water heater detail
SCALE | N.T.S.



1 mixing valve under lavatory detail
SCALE | N.T.S.



2 mixing valve above ceiling detail
SCALE | N.T.S.



3 backflow preventer detail
SCALE | N.T.S.

Order Plans

NOTE:
PROVIDE THERMOSTATIC MIXING VALVE WITH CHECK STOPS ABOVE CEILING IN ACCESSIBLE LOCATION. VALVE SHALL BE ZURN MODEL NO. TMV-1 W/ 1/2\"/>

NOTE:
1) ROUTE BACKFLOW PREVENTER DRAIN LINE TO MOP SINK AND TERMINATE INDIRECTLY WITH AIR GAP TWICE THE DIAMETER OF DRAIN PIPE. DRAIN PIPE TO BE FULL SIZE OF CONNECTION.
2) PROVIDE PRESSURE REDUCING VALVE (SET TO 15 PSI MAX.) AS REQUIRED.