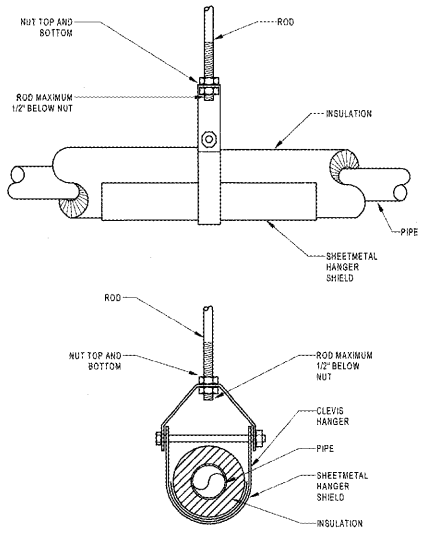
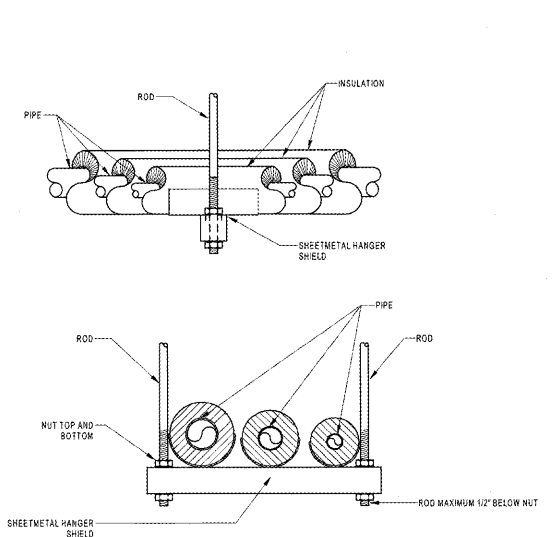


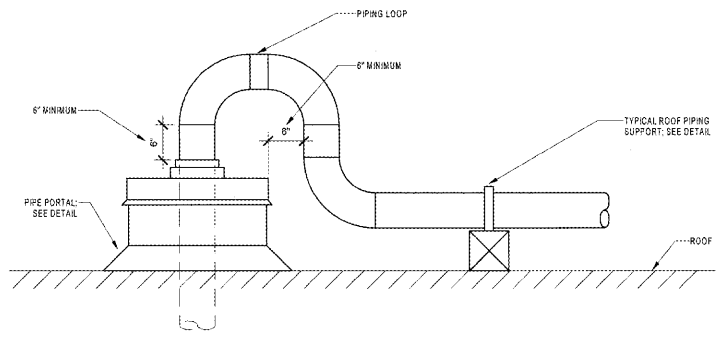
9 vent thru roof detail
SCALE | N.T.S.



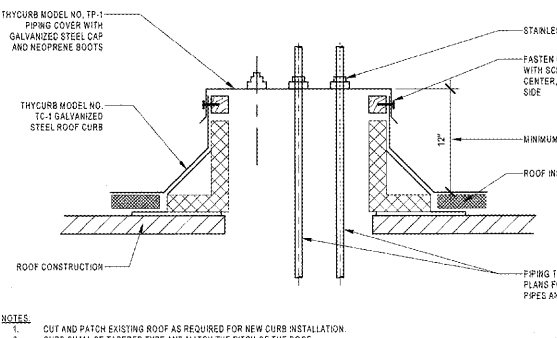
10 typical hanger detail
SCALE | N.T.S.



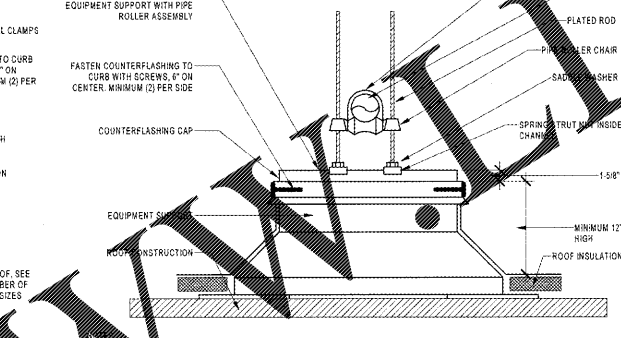
11 typical underground piping detail
SCALE | N.T.S.



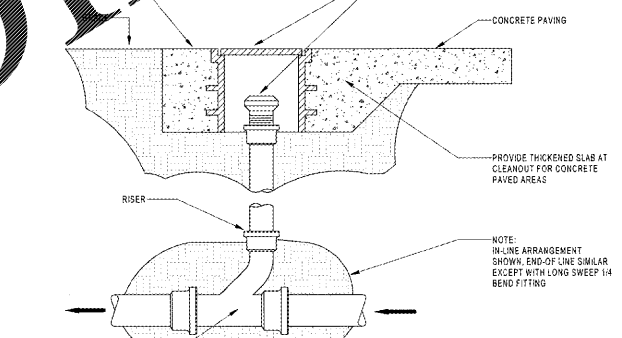
5 gas piping thru roof penetration detail
SCALE | N.T.S.



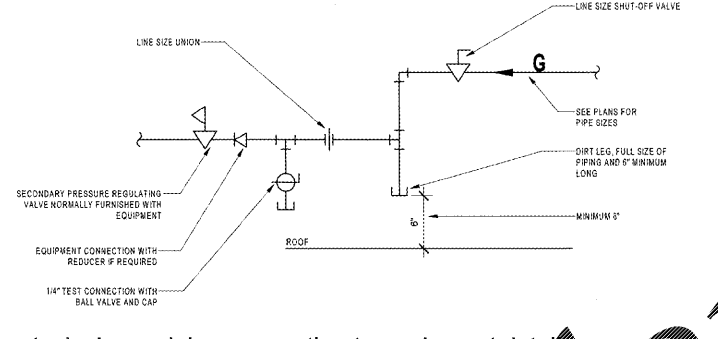
6 typical piping thru roof detail
SCALE | N.T.S.



7 typical roof piping support detail
SCALE | N.T.S.



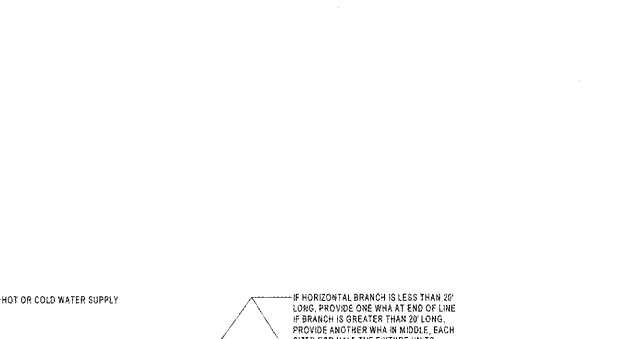
8 typical cleanout to grade detail
SCALE | N.T.S.



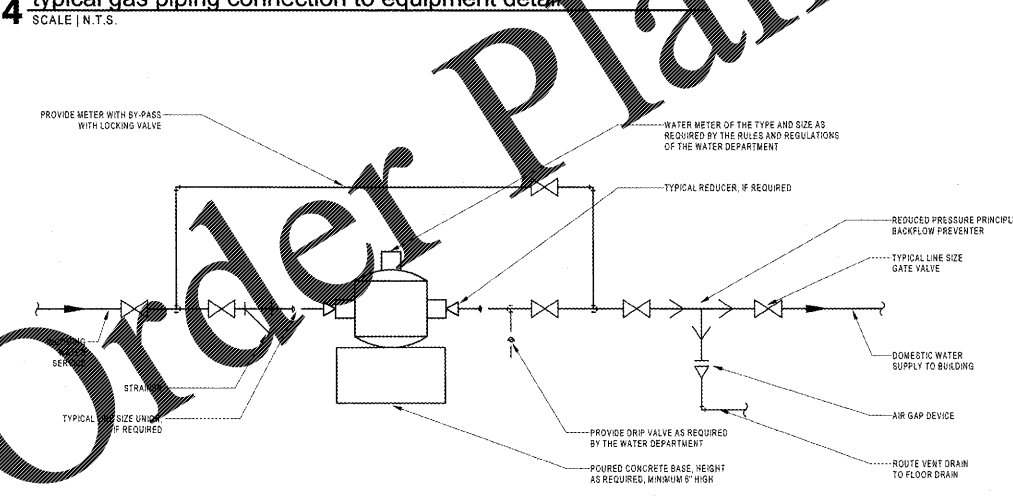
4 typical gas piping connection to equipment detail
SCALE | N.T.S.



2 water hammer arrester detail
SCALE | N.T.S.



3 typical floor drain with trap primer detail
SCALE | N.T.S.



1 water meter detail
SCALE | N.T.S.

PDI SIZE	PIPE SIZE	FIXTURE UNIT LOAD
A	1/2"	1-11
B	3/4"	12-32
C	1"	33-60
D	1 1/4"	61-113
E	1 1/2"	114-154

FIXTURE	COLD	HOT
TANK WATER CLOSET	5	..
URNAL	5	..
LAVATORY	1.5	1.5
SINK	3	3
MOP BASIN	2.3	2.3

PC TO PROVIDE WATER HAMMER ARRESTERS BY SIOUX CHIEF, PRECISION PLUMBING PRODUCTS, WAITS OR APPROVED EQUIVALENT WITH PISTON AND BANDING CONSTRUCTION, HAVING PDI #WH-201, ASSE #1010 AND ANGR #A12.20 IN CERTIFICATION. INSTALL IN HORIZONTAL OR VERTICAL POSITION, BUT NEVER UPSIDE DOWN. INSTALL IN LINE WITH WATER FLOW DIRECTION IF POSSIBLE. SIZE THE UNITS AS SHOWN ON THE DRAWINGS AND/OR PER THE TABLES SHOWN ABOVE.

architect + engineer
wd PARTNERS
brand : operations + brand
1115 DISCOVERY DRIVE, CH 43917 #14, 9001
WDPARTNERS.COM

project no. | KRKDS0003
owner



project info
CONCORD NORTH CAROLINA

issue dates

submission:	Date
OWNER'S REVIEW	11/01/2018
BID SET	11/01/2018
PERMIT SET	11/01/2018

revisions:

#	Description	Date



sheet info
PLUMBING DETAILS
P500