

project no. | KRKDS0003
owner



project info
CONCORD
NORTH CAROLINA

issue dates	
submission:	Date
OWNER REVIEW	11/01/2018
BID SET	11/01/2018
PERMIT SET	11/01/2018
REVISORS:	Date
# Description	

FOR REFERENCE ONLY

sheet info
CAPTIVE AIRE DRAWINGS
M701

HOOD INFORMATION - Job#482408901												
HOOD NO.	TAG	MODEL	LENGTH	MAX. COOKING TEMP.	TOTAL EXHA. CFM	WIDTH	DEPTH	HOOD CONSTRUCTION	END TO END	MOV.	QUANTITY	LOCATION
1	H1	6024 ND-2	9' 0.00"	450	1800	8"	18"	430 SS	ALONG	ALONG	1 FAN	FRONT RIGHT FACE
2	H2	4824 VHB-G-ND	4' 0.00"	700	500	10"	10"	430 SS	ALONG	ALONG	1 FAN	FRONT RIGHT FACE

CAPTIVE-AIRE HOODS ARE BUILT IN COMPLIANCE WITH

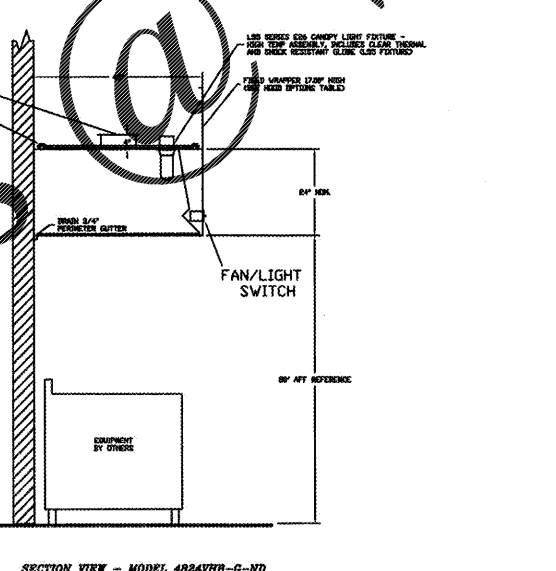
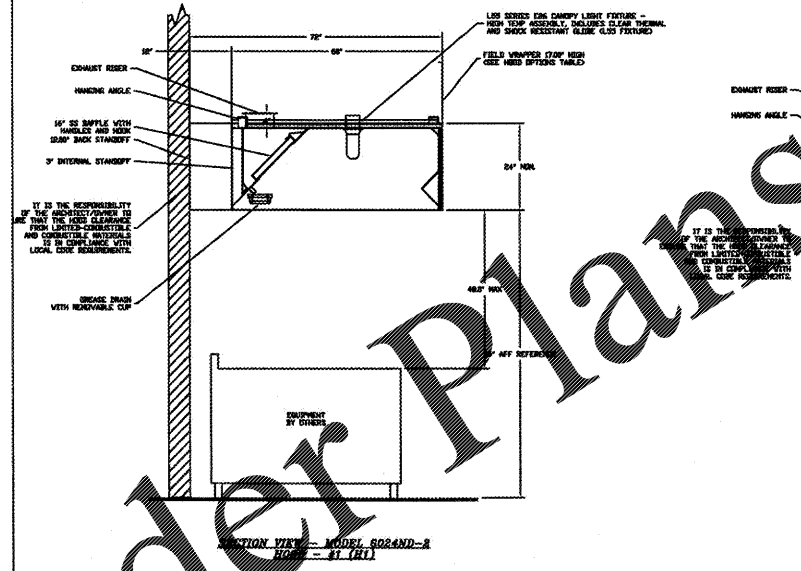
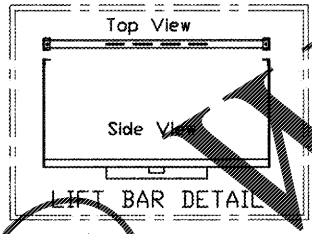
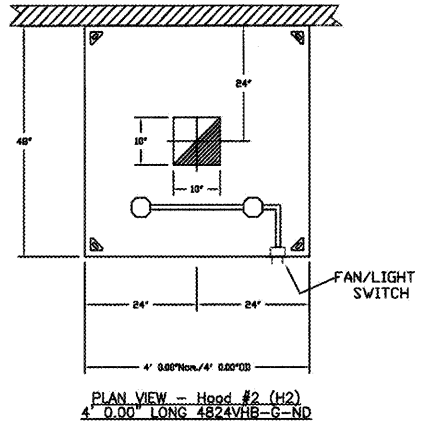
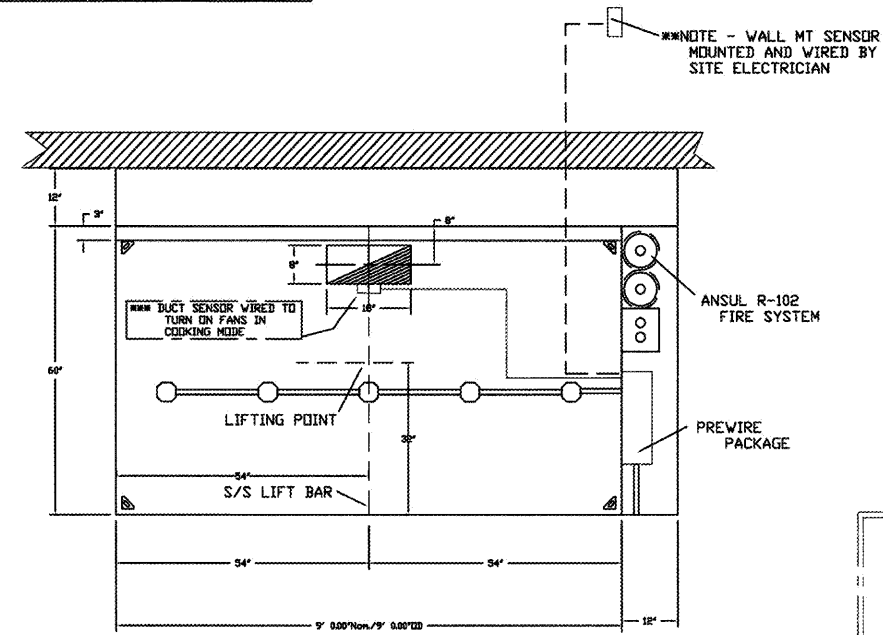
intertek NFPA #96 NSF UL 710 & ULC710 STANDARDS E.T.L. LISTED 3054804-001

FOR QUESTIONS, CALL THE
PIEDMONT NORTH CAROLINA OFFICE
LONNIE GRANT (REGIONAL MANAGER)
PHONE: 336-996-8484, FAX: 336-996-8418
EMAIL: reg30@captiveaire.com

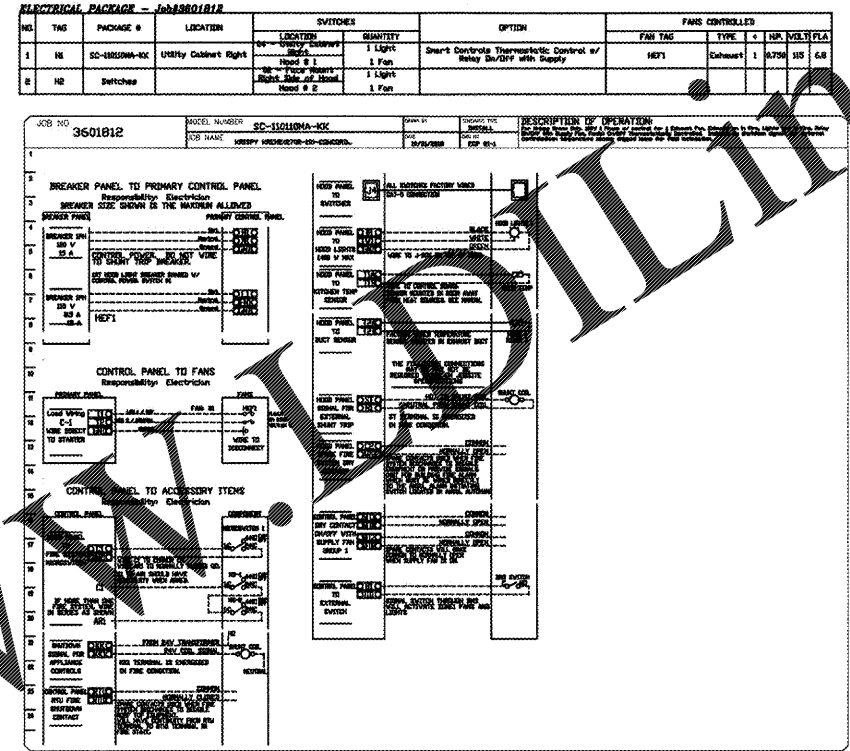
VERIFY CEILING HEIGHT
Height required to verify that the hood will fit and to size the enclosure panels

HOOD INFORMATION																
FILTERS				LIGHTS				FAN/SWITCHES								
HOOD TAG	TYPE	QTY	HEIGHT	EFFICIENCY @ 9 MICRONS	QTY	TYPE	VOLTS	LOCATION	TYPE	SIZE	MODEL #	QUANTITY				
1	H1	SS Baffle with Handles	6"	16"	16"	30%	5	L55 Series E26	NO	Right	Area4 HOOD	3A/3A	SD-110119MA-KC	1 Light 1 Fan	YES NO	414 226
2	H2						2	L55 Series E26	NO					1 Light 1 Fan	NO	226

HOOD OPTIONS		
HOOD TAG	OPTION	DESCRIPTION
1	H1	FIELD WRAPPER 17.00" High Front, Left, Right
		BACK STANDOFF FLAT 12" Wide 120" Long
2	H2	FIELD WRAPPER 17.00" High Front, Left, Right



PREWIRE PACKAGE INFORMATION



KRISPY KREME (270)
CONCORD, NC

DATE: 10/31/2018
DWG NO: KK270R-19
DESIGNED BY: LAG
SCALE: NTS
MODE: P/W
SHEET NO. 1