

submission:	Date
OWNER'S REVIEW	11/01/2018
BID SET	11/01/2018
PERMIT SET	11/01/2018

#	Description	Date



HOOD PROVIDER PREREQUISITES:

IN ORDER TO SCHEDULE AND PASS FIRE MARSHAL TEST, 48 HOURS NOTICE IS NEEDED TO SCHEDULE TEST.

- 1) POWER TO FRYER MUST SHUT DOWN UPON FIRE DETECTION
- 2) HORN STROBE MUST SOUND UPON FIRE DETECTION
- 3) RTU THAT SERVES PRODUCTION ROOM MUST SHUT DOWN UPON FIRE DETECTION
- 4) HOOD REMOTE SPACE TEMPERATURE SENSOR (SHIPPED LOOSE INSIDE CONTROL PANEL) MUST BE MOUNTED AND WIRED BACK TO CONTROL PANEL

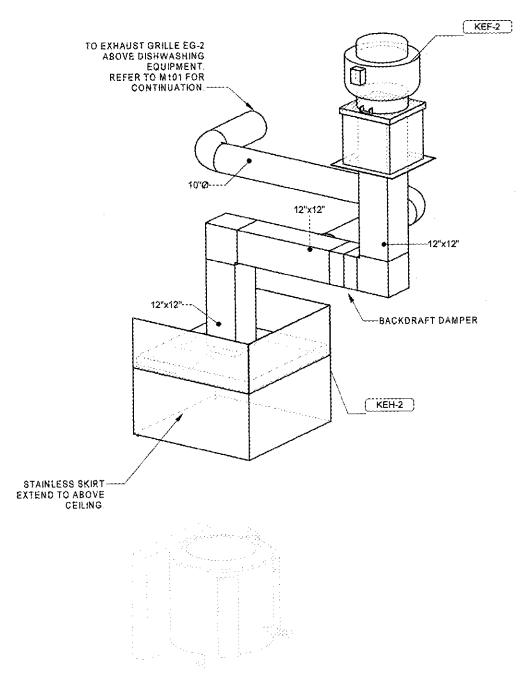
G.C. TO PROVIDE SUPPLEMENTAL STEEL NECESSARY FOR DUCT AND PIPE SUPPORT. NECESSARY DUCTWORK, PIPE, AND EQUIPMENT IS NOT TO BE SUPPORTED FROM ROOF DECK.

EXPOSED FLEXIBLE DUCTWORK NOT ALLOWED! ALL DUCTWORK IN OPEN CELL AREA TO BE SHEET METAL. FLEXIBLE DUCTWORK ALLOWED ABOVE CEILING.

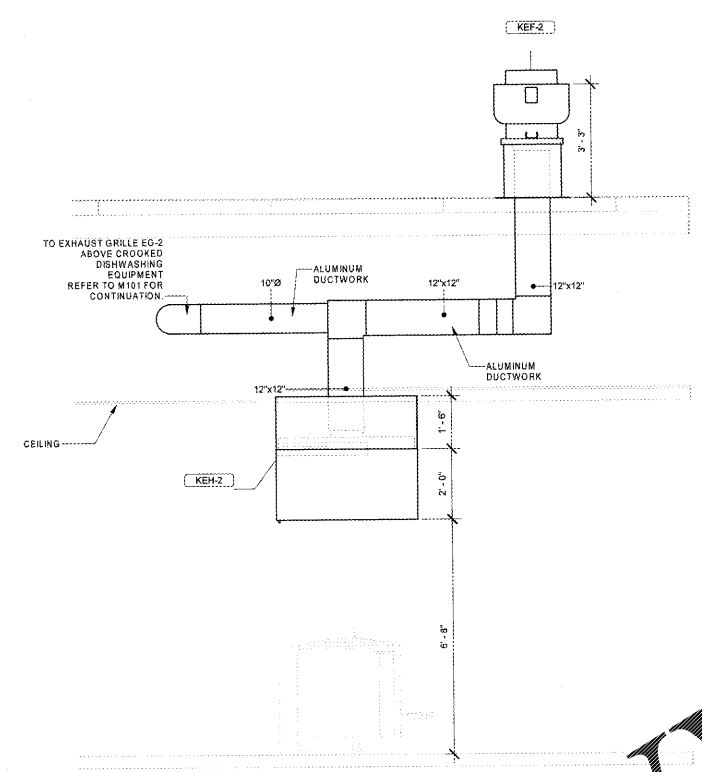
IF ANY DISCREPANCIES ARE FOUND ON THE PLANS, THE CONTRACTOR SHALL STOP AND CLARIFICATION.

UNLESS NOTED OTHERWISE, SYSTEMS ARE TO BE PROVIDED AND INSTALLED BY THE MECHANICAL CONTRACTOR.

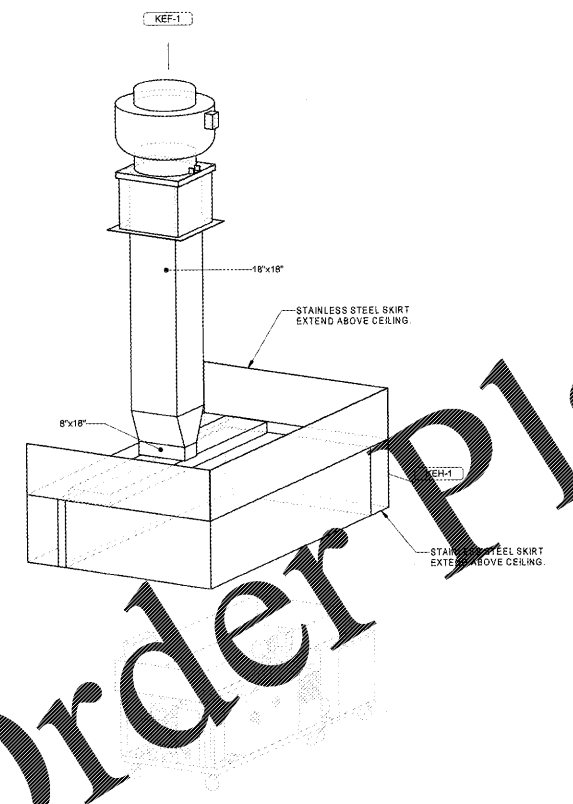
SEE KITCHEN EQUIPMENT DRAWINGS FOR KITCHEN EQUIPMENT SPECIFICATIONS INCLUDING EXHAUST HOODS.



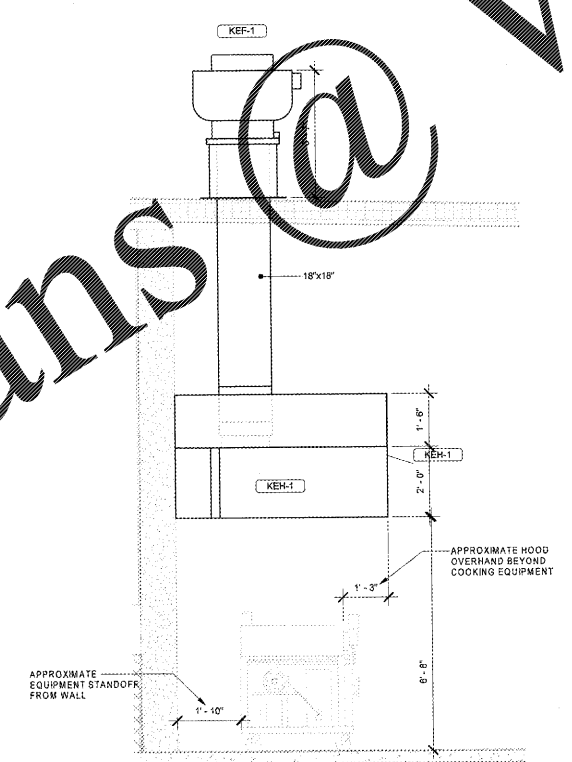
1 type 2 kitchen hood ductwork riser diagram
SCALE |



2 kitchen hood ductwork riser section
SCALE |



4 type 1 kitchen hood ductwork riser diagram
SCALE |



5 kitchen hood ductwork riser diagram
SCALE |

Order Plans @

WWW.LDILINE.COM